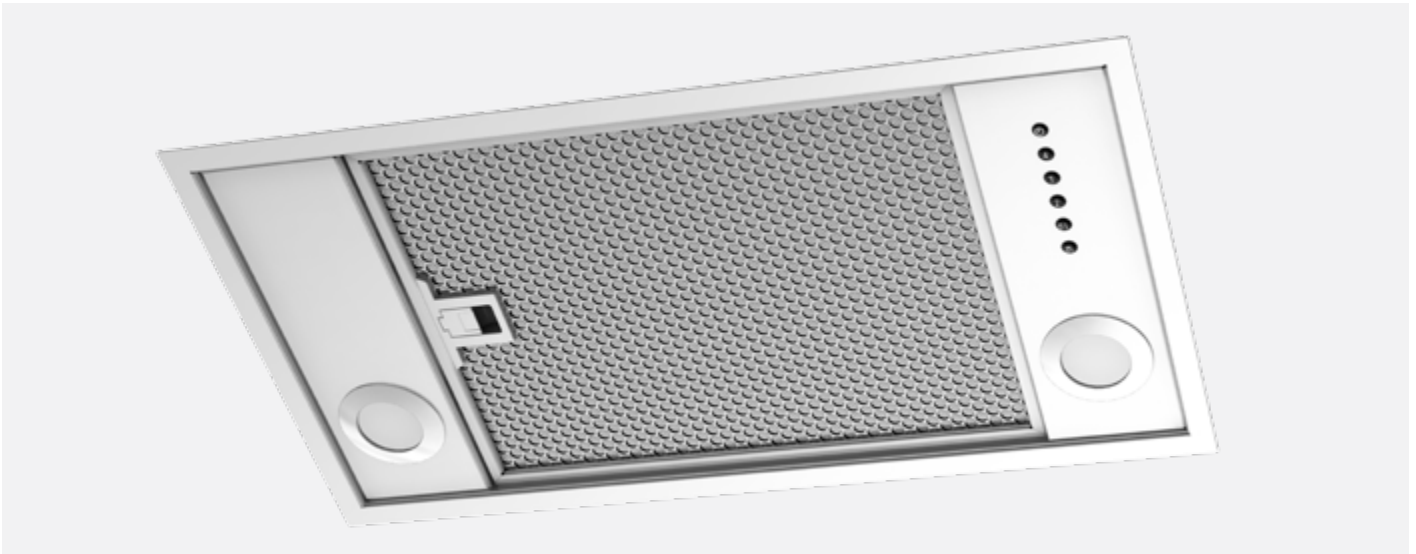
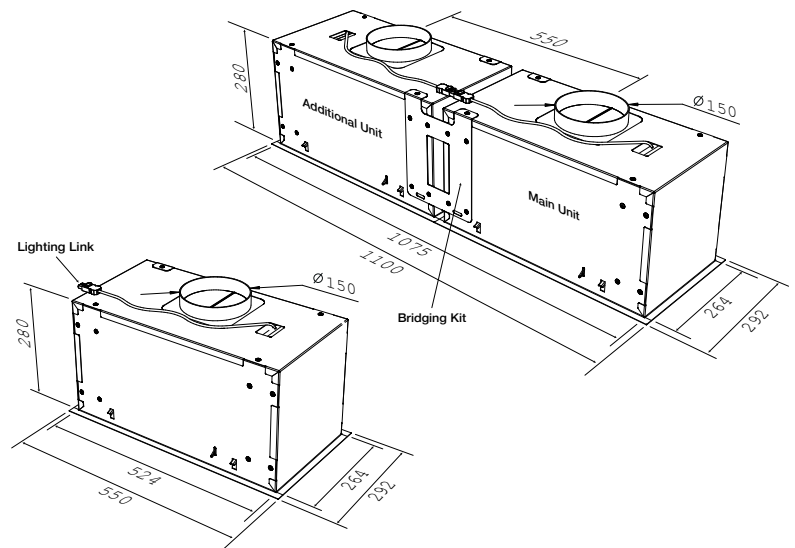


Westin Cache Modular



The Cache Modular is a flexible addition to the built-in range. A single model can be used alone or up to three can be linked together and installed as one model.

- Width: 550mm per unit
- Depth: 292mm
- Height: 280mm
- Finish: Stainless steel
- Controls: 4-speed push button
- Lighting: 2x 2.6W natural white (4000K) LED per unit
- Filters: Aluminium mesh, suitable for dishwashers
- Duct position: Top
- Motor options: Internal
- Energy rating: (internal motor) **A**
- Energy rating: (remote motor) n/a



+ **Westin Plus suggestions – adapt any of the following:**
lights, colour, width, length, hide the filters



main and additional unit linked to form one 1100mm model



www.westin.co.uk

sales@westin.co.uk

+44 (0) 1484 421585

W.S.Westin Ltd
Phoenix Mills
Leeds Road
Huddersfield
HD1 6NG
United Kingdom