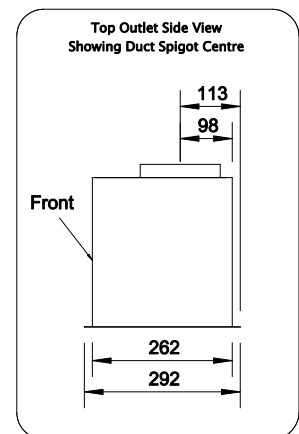
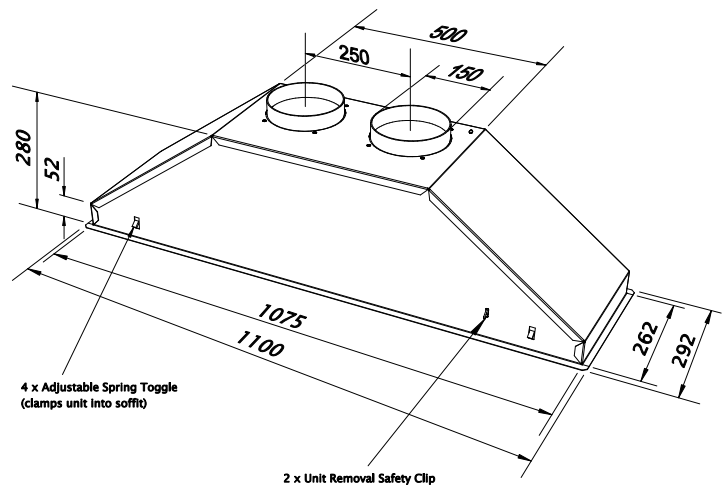


Westin Cache Twin



This twin motor hood combines discretion and power, a built-in unit which is A energy rated and provides an airflow of 1362m³/hour on intensive setting. An ideal solution for cooks with more powerful cookers.

- Width: 1100mm
- Depth: 292mm
- Height: 280mm
- Finish: Stainless steel
- Controls: 4-speed remote, 4-speed push button
- Lighting: 3x 2.6W natural white (4000K) LED
- Filters: Aluminium mesh, suitable for dishwashers
- Duct position: Top (Rear as a Westin Plus option)
- Motor options: 2x internal
- Energy rating: (internal motor) **A**
- Energy rating: (remote motor) n/a



+ Westin Plus suggestions – adapt any of the following:
lights, colour, width, length, hide the filters, rear duct position



www.westin.co.uk
sales@westin.co.uk
 +44 (0) 1484 421585

W.S.Westin Ltd
 Phoenix Mills
 Leeds Road
 Huddersfield
 HD1 6NG
 United Kingdom