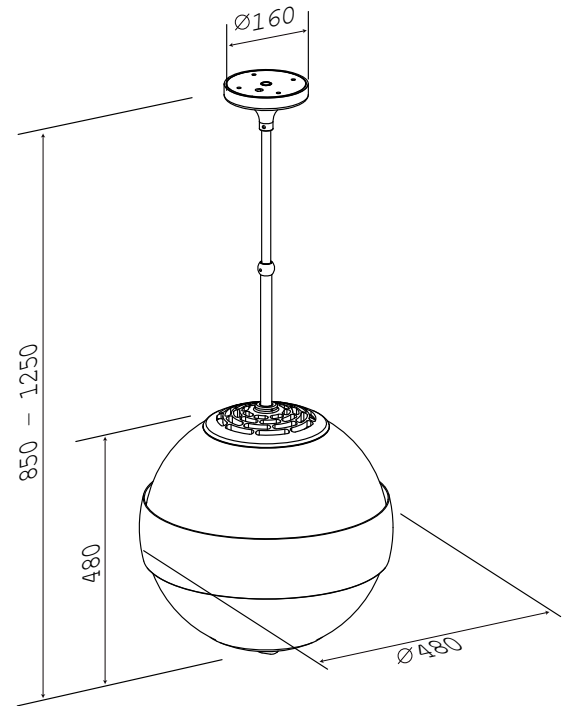


# Westin Lune



The Lune is an eye-catching addition to any kitchen which is available in two stunning finishes.

- Width: 480mm
- Depth: 480mm
- Height: 850-1250mm telescopic
- Finish: Stainless steel and black or stainless steel and white
- Controls: 4-speed remote
- Lighting: 1x 3W natural white (4200K) LED
- Filters: Aluminium mesh (carbon filters)
- Duct position: Not applicable – recirculating only
- Motor options: Recirculating internal only
- Energy rating: (internal motor) Recirculating only – no energy rating is required
- Energy rating: (remote motor) n/a



stainless steel and black



[www.westin.co.uk](http://www.westin.co.uk)

[sales@westin.co.uk](mailto:sales@westin.co.uk)

+44 (0) 1484 421585

W.S.Westin Ltd  
Phoenix Mills  
Leeds Road  
Huddersfield  
HD1 6NG  
United Kingdom