

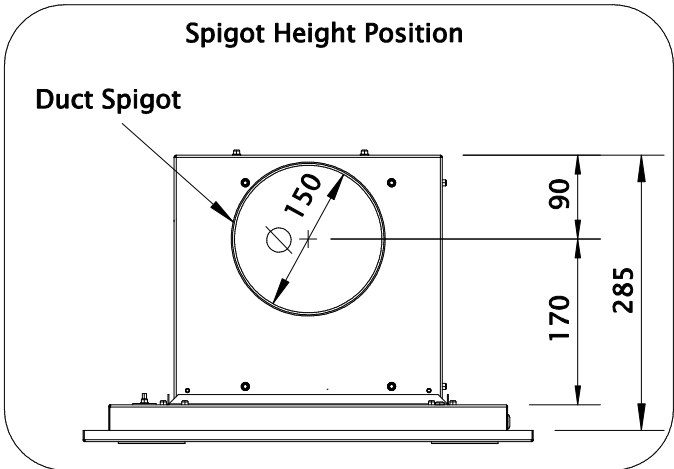
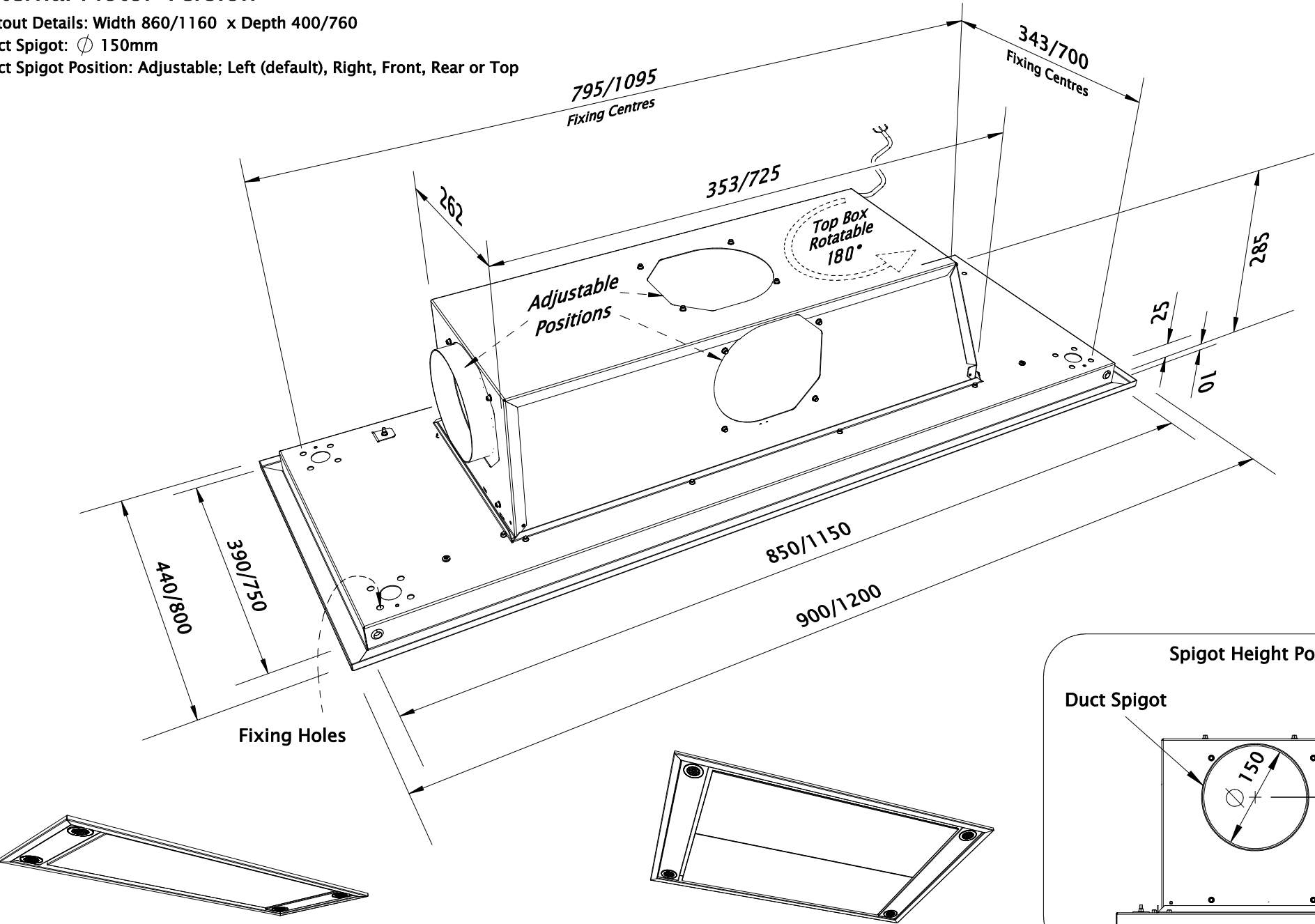
STRATUS 3D General Arrangement Drawing

Internal Motor Version

Cutout Details: Width 860/1160 x Depth 400/760

Duct Spigot: ϕ 150mm

Duct Spigot Position: Adjustable; Left (default), Right, Front, Rear or Top



440 deep unit has a single door panel

800 deep unit has two door panels



Client: Westin
 Drawn by: Mike Sharpe
 Title: WSW - STRATUS - 3D GA (Internal Motor) V1 20170110

Approved by: _____
 Date: _____

Scale: 1:20 A3
 Units: mm
 Date: 11-01-17