

# STRATUS BLADE 3D General Arrangement Drawing

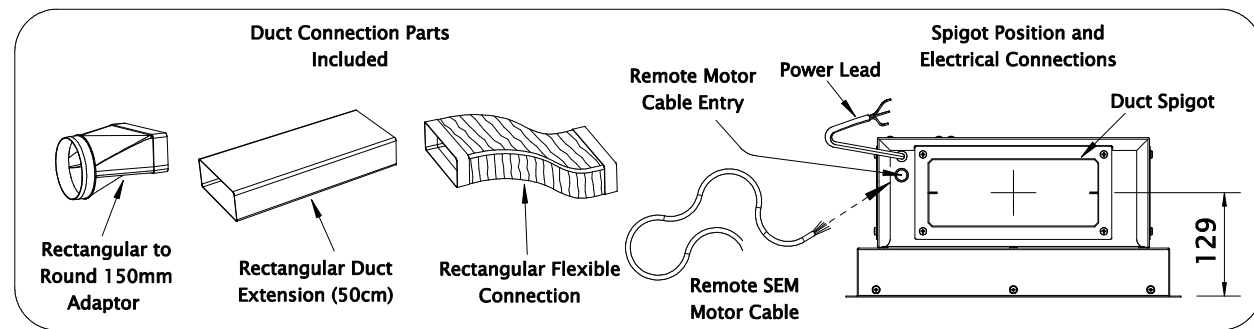
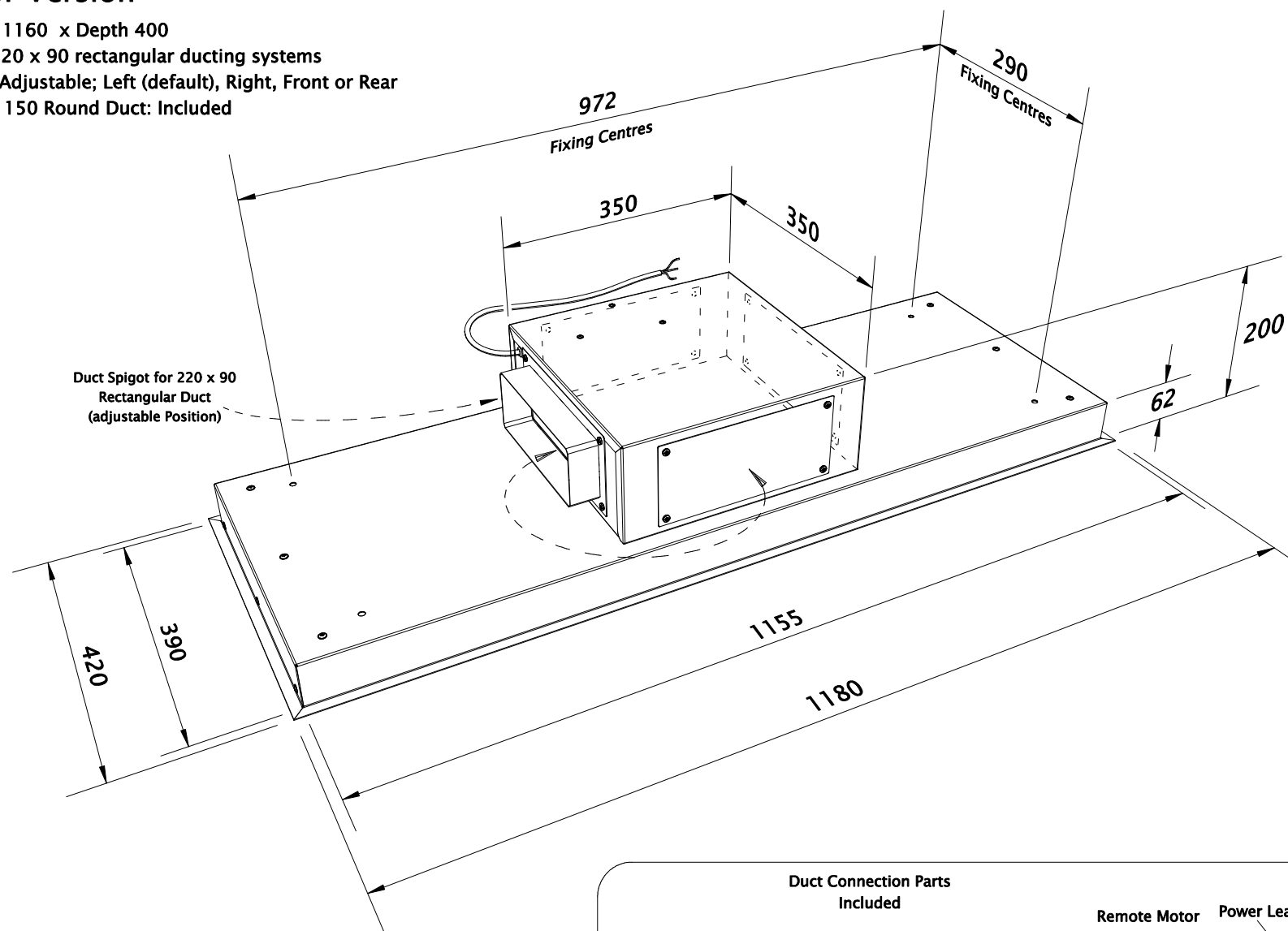
## Remote Motor Version

Cutout Details: Width 1160 x Depth 400

Duct Spigot: To suit 220 x 90 rectangular ducting systems

Duct Spigot Position: Adjustable; Left (default), Right, Front or Rear

Duct Adaptors for  $\varnothing$  150 Round Duct: Included



Client: Westin  
 Drawn by: Mike Sharpe  
 Title: WSW - STRATUS BLADE - EM - 3D GA 1180 x 420 V1 20170308

Approved by:

Date:

Scale: 1:20 A3

Units: mm

Date: 08-03-17