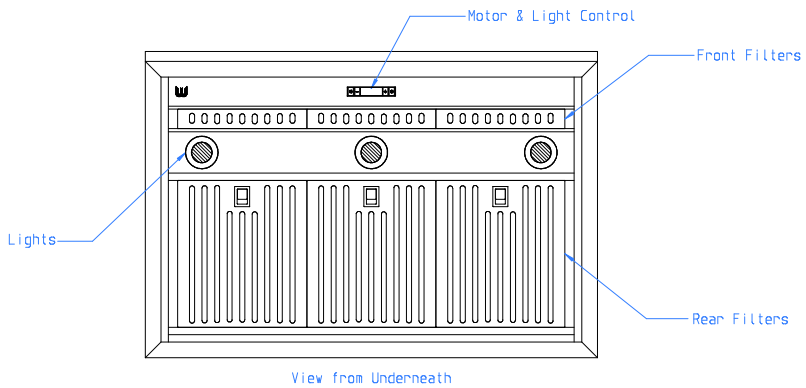
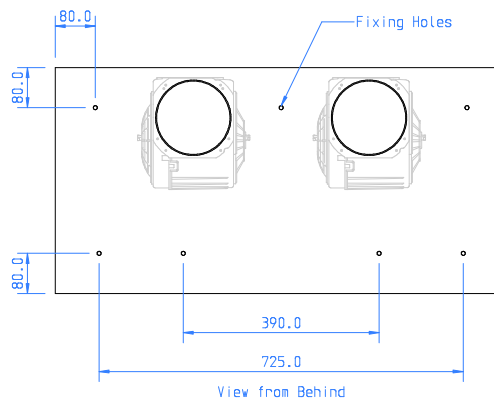


Motor: 2 x Internal Motors
 Lighting: Tunable White LED
 Motor & Light Controls: Pushbutton with LCD Display & Remote Control
 Duct: 2 x 150mm \varnothing Rear Outlet



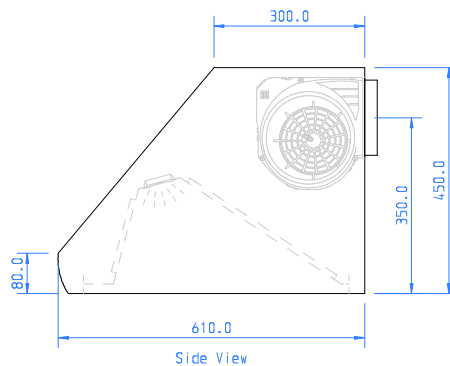
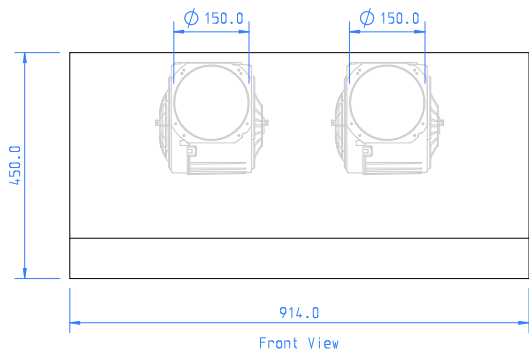
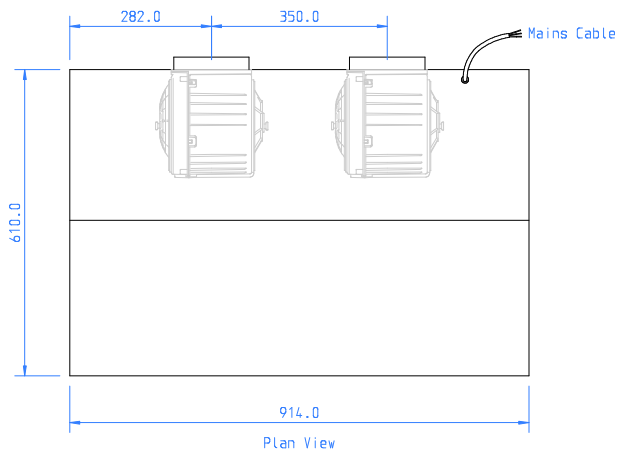
Client: Westin
 Drawn by: Daniel Bradley
 Title: WSW - AMERICAN PRO 900 - TWIN - REAR - SS - GA V1 20220401

Ref: WSW - AMERICAN PRO 900 - TWIN - REAR - SS

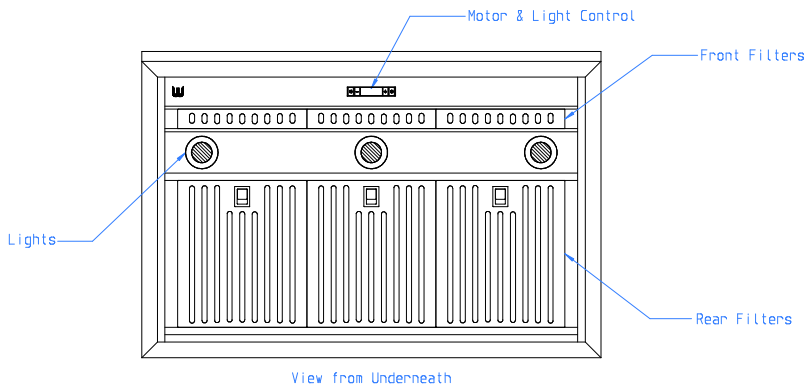
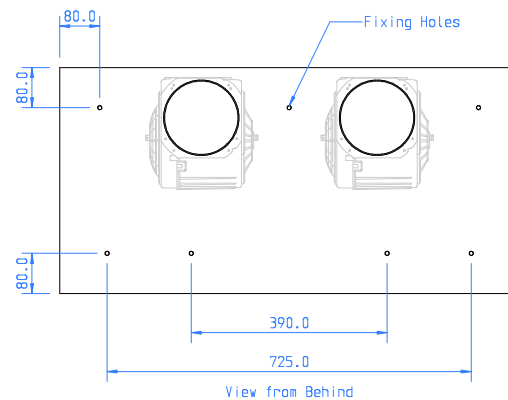
Approved by:

Date:

Scale: 1:10 A3
 Units: mm
 Date: 01-04-22



- Motor: 2 x Internal Motors
- Lighting: Tunable White LED
- Motor & Light Controls: Pushbutton with LCD Display & Remote Control
- Duct: 2 x 150mm \varnothing Rear Outlet



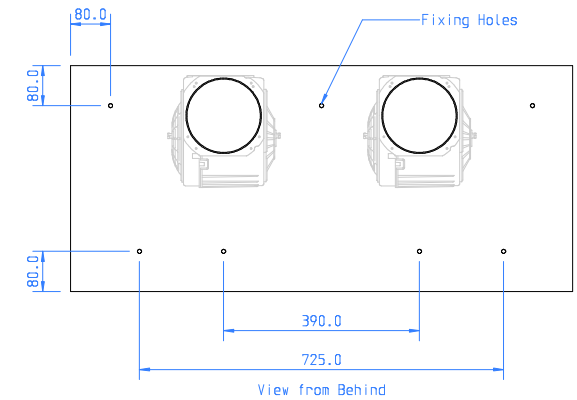
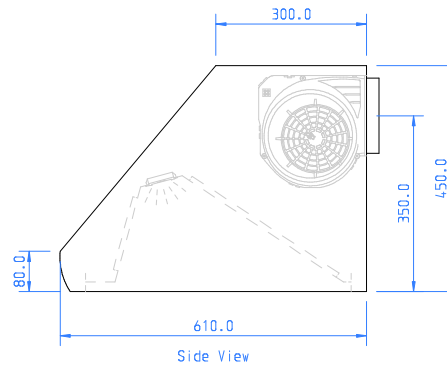
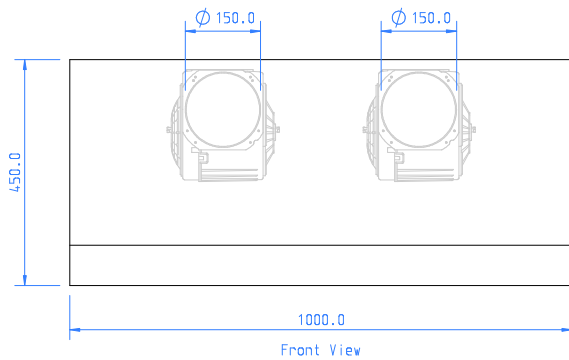
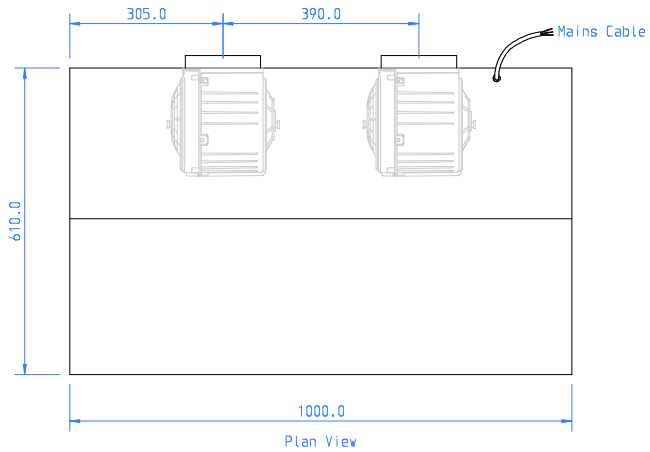
Client: Westin
 Drawn by: Daniel Bradley
 Title: WSW - AMERICAN PRO 914 - TWIN - REAR - SS - GA V1 20220401

Ref: WSW - AMERICAN PRO 914 - TWIN - REAR - SS

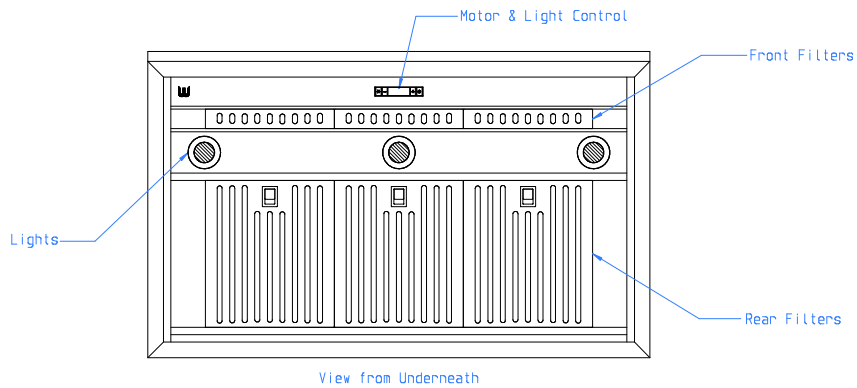
Approved by:

Date:

Scale: 1:10 A3
 Units: mm
 Date: 01-04-22



Motor: 2 x Internal Motors
 Lighting: Tunable White LED
 Motor & Light Controls: Pushbutton with LCD Display & Remote Control
 Duct: 2 x 150mm \varnothing Rear Outlet



Client: Westin
 Drawn by: Daniel Bradley
 Title: WSW - AMERICAN PRO 1000 - TWIN - REAR - SS - GA V1 20220401

Ref: WSW - AMERICAN PRO 1000 - TWIN - REAR - SS

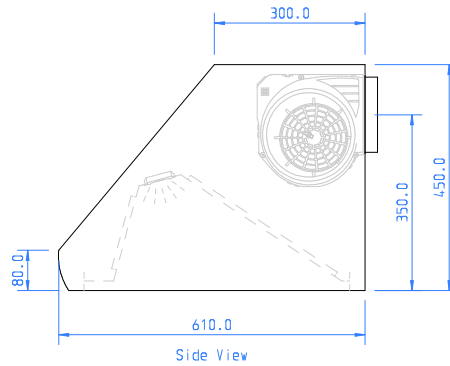
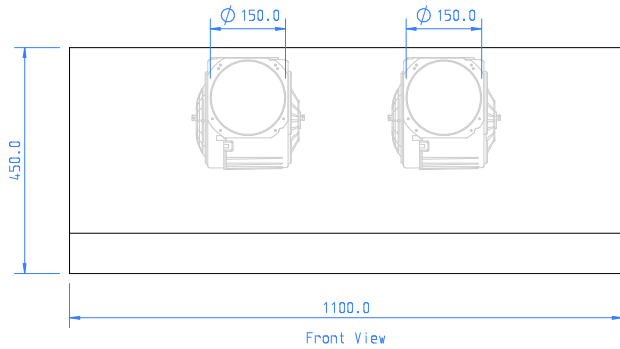
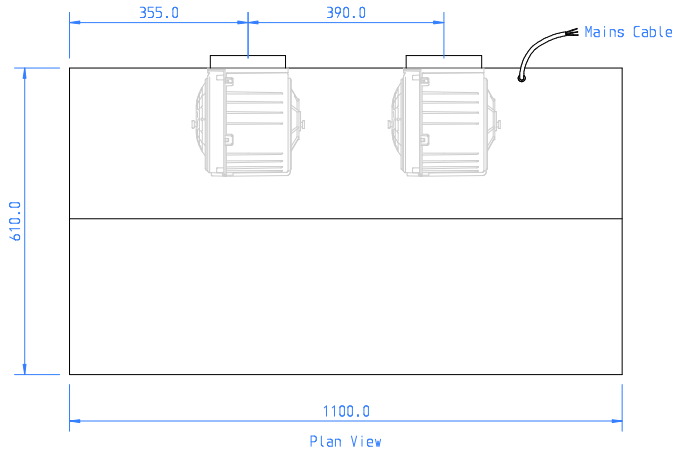
Approved by:

Date:

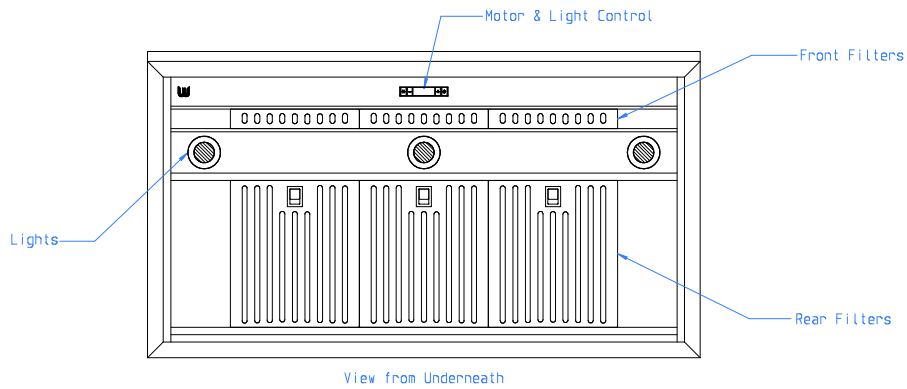
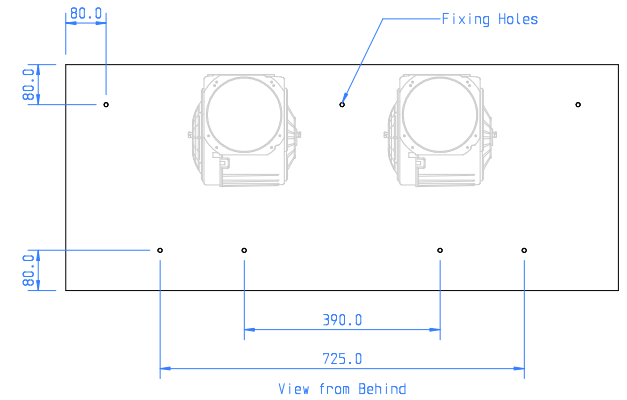
Scale: 1:10 A3

Units: mm

Date: 01-04-22



- Motor: 2 x Internal Motors
- Lighting: Tunable White LED
- Motor & Light Controls: Pushbutton with LCD Display & Remote Control
- Duct: 2 x 150mm Ø Rear Outlet



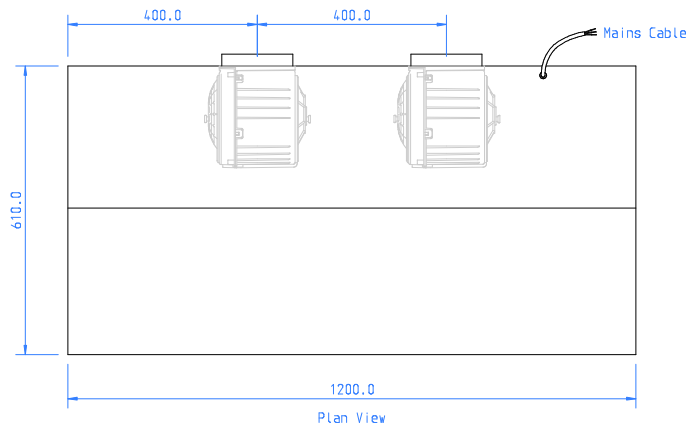
Client: Westin
 Drawn by: Daniel Bradley
 Title: WSW - AMERICAN PRO 1100 - TWIN - REAR - SS - GA V1 20220401

Ref: WSW - AMERICAN PRO 1100 - TWIN - REAR - SS

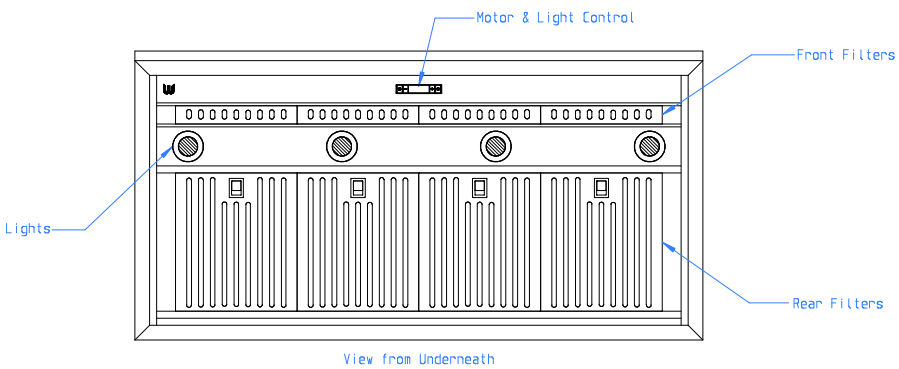
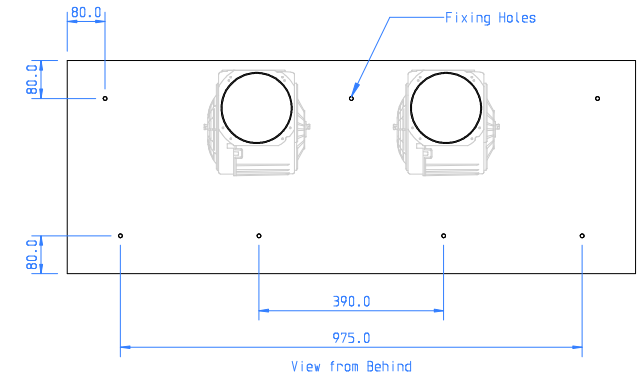
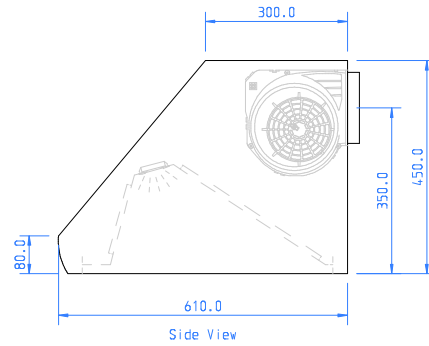
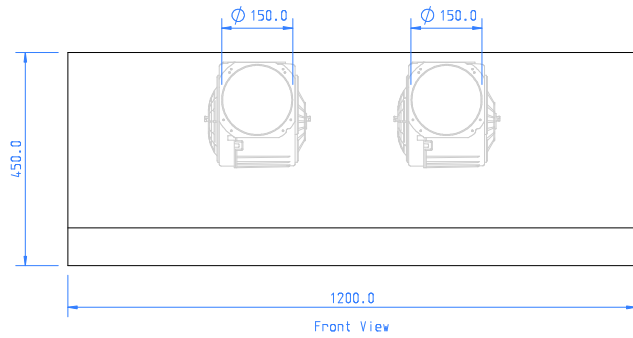
Approved by:

Date:

Scale: 1:10 A3
 Units: mm
 Date: 01-04-22



Motor: 2 x Internal Motors
 Lighting: Tunable White LED
 Motor & Light Controls: Pushbutton with LCD Display & Remote Control
 Duct: 2 x 150mm \varnothing Rear Outlet

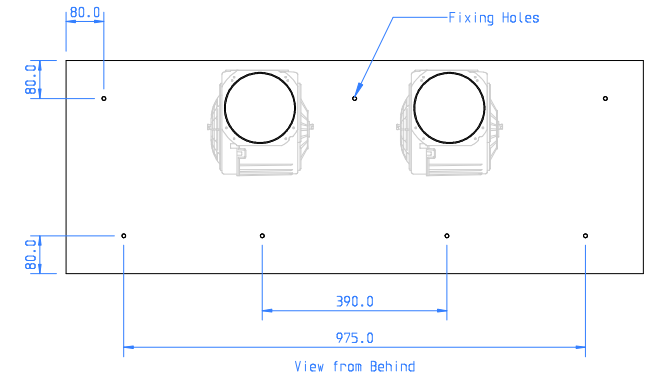
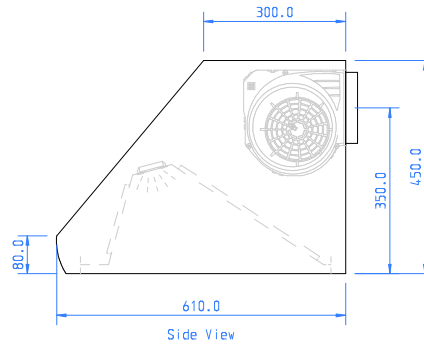
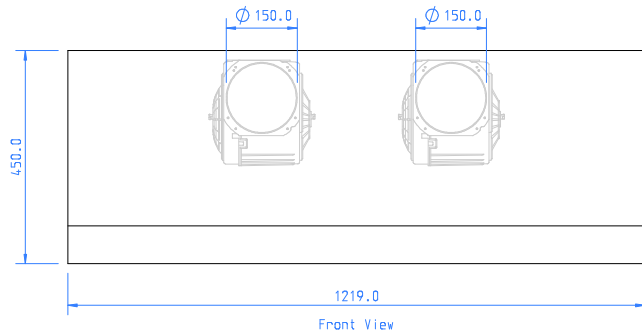
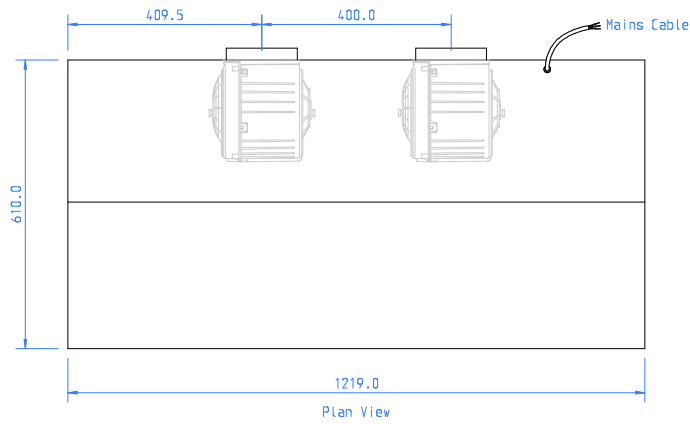


Client: Westin Ref: WSW - AMERICAN PRO 1200 - TWIN - REAR - SS
 Drawn by: Daniel Bradley
 Title: WSW - AMERICAN PRO 1200 - TWIN - REAR - SS - GA V1 20220401

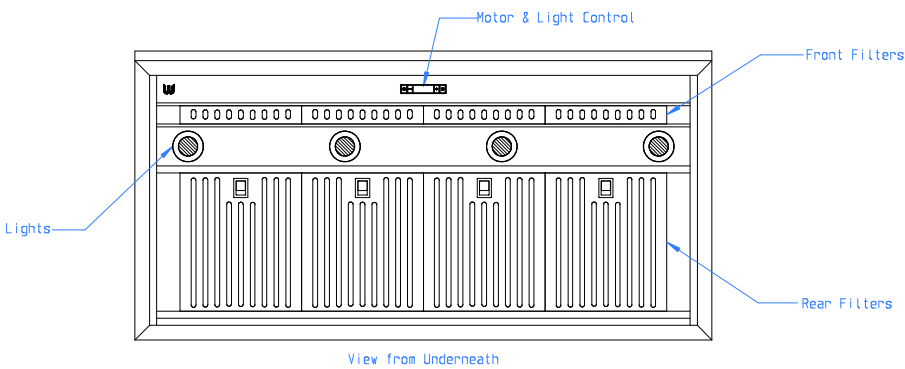
Approved by:

Date:

Scale: 1:15 A4
 Units: mm
 Date: 01-04-22



Motor: 2 x Internal Motors
 Lighting: Tunable White LED
 Motor & Light Controls: Pushbutton with LCD Display & Remote Control
 Duct: 2 x 150mm \varnothing Rear Outlet



Remote Control



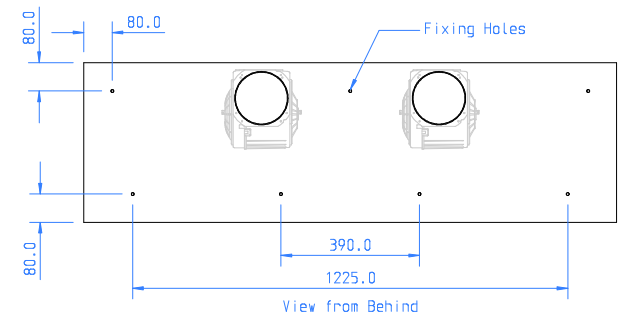
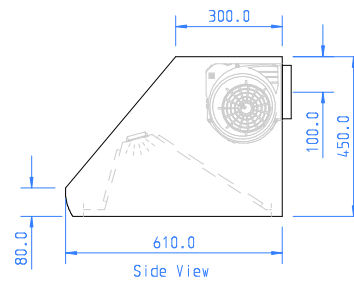
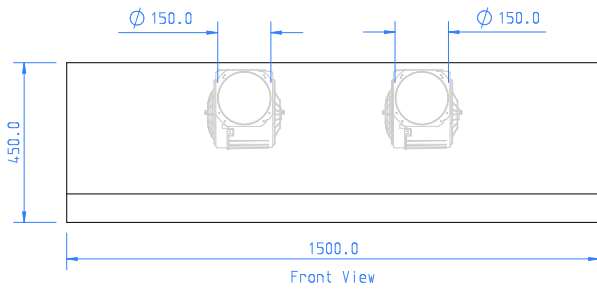
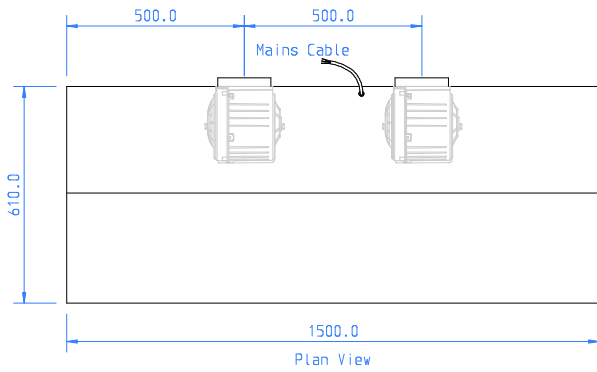
Client: Westin
 Drawn by: Daniel Bradley
 Title: WSW - AMERICAN PRO 1219 - TWIN - REAR - SS - GA V1 20220401

Ref: WSW - AMERICAN PRO 1219 - TWIN - REAR - SS

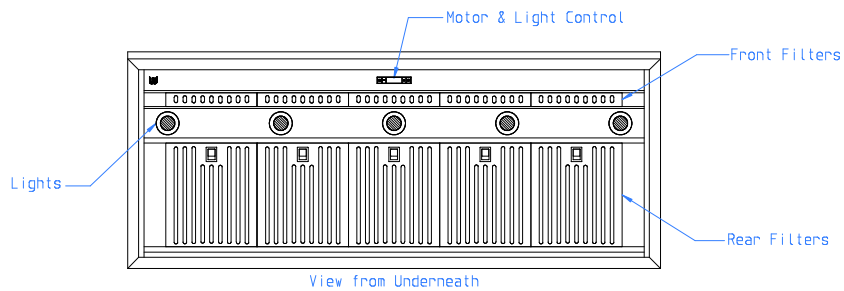
Approved by:

Date:

Scale: 1:15 A4
 Units: mm
 Date: 01-04-22



Motor: 2 x Internal Motors
 Lighting: Tunable White LED
 Motor & Light Controls: Pushbutton with LCD Display & Remote Control
 Duct: 2 x 150mm \varnothing Rear Outlet



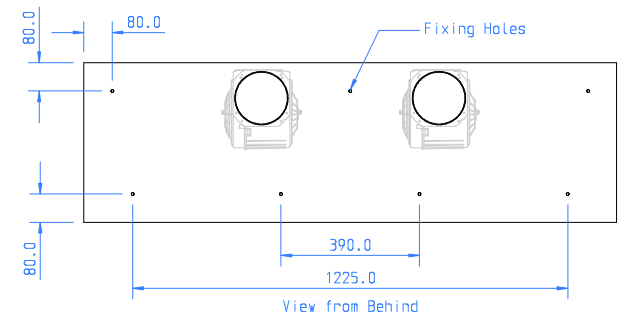
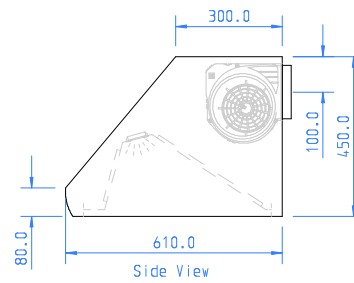
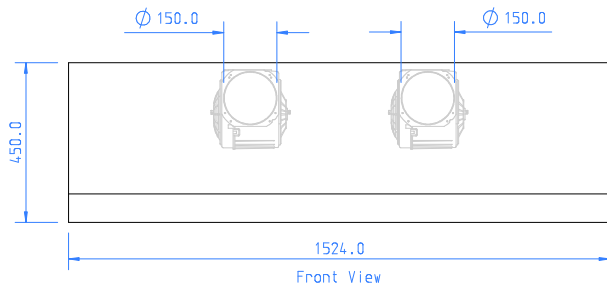
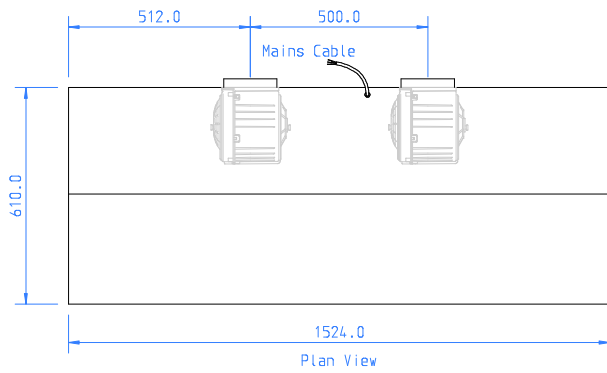
Client: Westin
 Drawn by: Daniel Bradley
 Title: WSW - AMERICAN PRO 1500 - TWIN - REAR - SS - GA V1 20220401

Ref: WSW - AMERICAN PRO 1500 - TWIN - REAR - SS

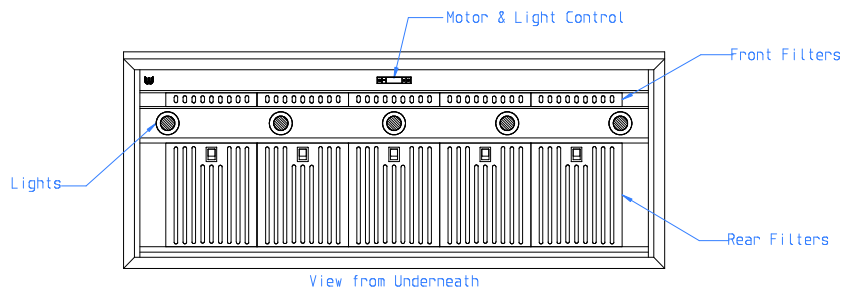
Approved by:

Date:

Scale: 1:20 A4
 Units: mm
 Date: 01-04-22



- Motor: 2 x Internal Motors
- Lighting: Tunable White LED
- Motor & Light Controls: Pushbutton with LCD Display & Remote Control
- Duct: 2 x 150mm \varnothing Rear Outlet



Client: Westin
 Drawn by: Daniel Bradley
 Title: WSW - AMERICAN PRO 1524 - TWIN - REAR - SS - GA V1 20220401

Ref: WSW - AMERICAN PRO 1500 - TWIN - REAR - SS

Approved by:

Date:

Scale: 1:20 A4
 Units: mm
 Date: 01-04-22