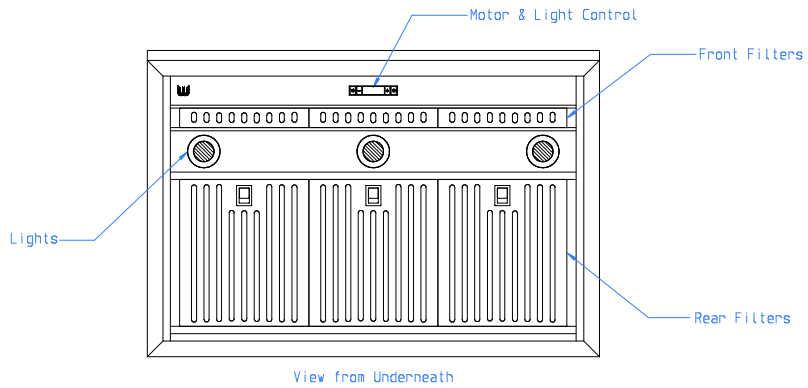
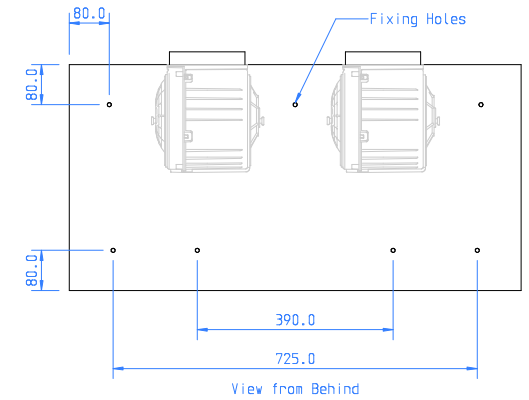


- Motor: 2 x Internal Motors
- Lighting: Tunable White LED
- Motor & Light Controls: Pushbutton with LCD Display & Remote Control
- Duct: 2 x 150mm  $\phi$  Top Outlet



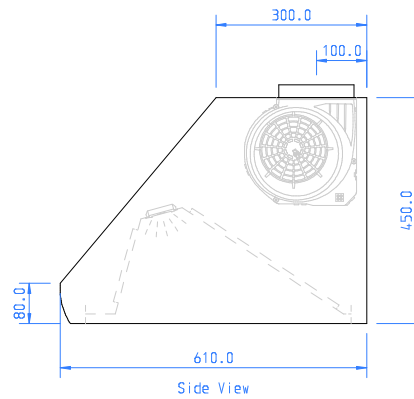
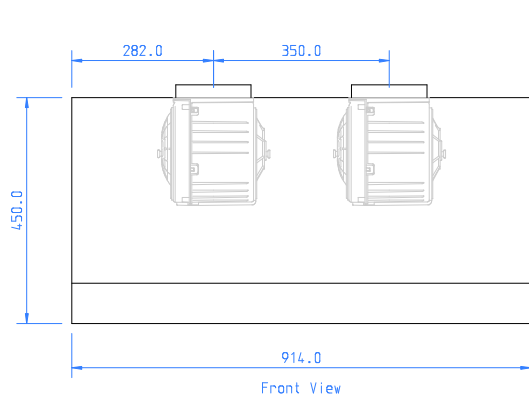
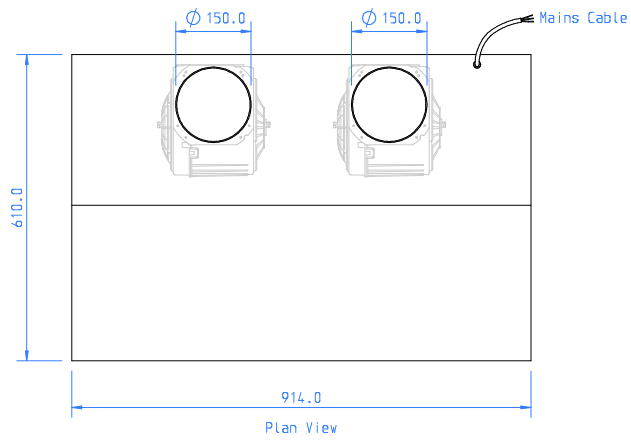
Client: Westin  
 Drawn by: Daniel Bradley  
 Title: WSW - AMERICAN PRO 900 - TWIN - SS - GA V1 20220401

Ref: WSW - AMERICAN PRO 900 - TWIN - SS

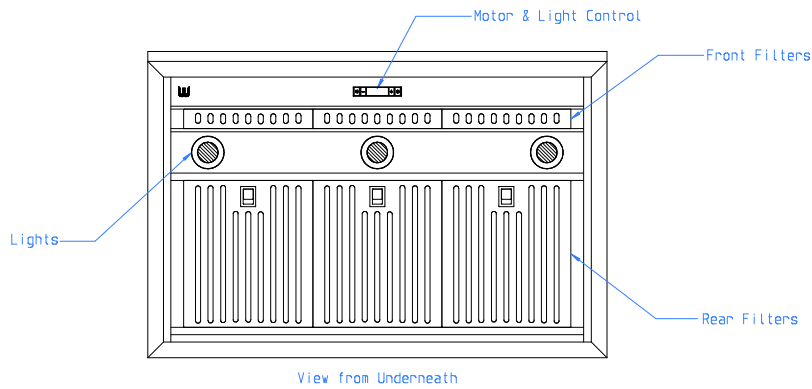
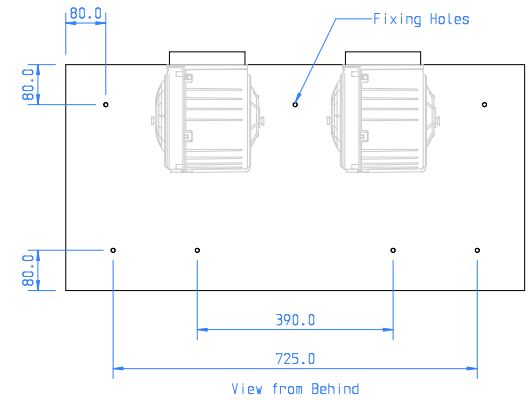
Approved by:

Date:

Scale: 1:10 A3  
 Units: mm  
 Date: 01-04-22



Motor: 2 x Internal Motors  
 Lighting: Tunable White LED  
 Motor & Light Controls: Pushbutton with LCD Display & Remote Control  
 Duct: 2 x 150mm  $\phi$  Top Outlet



Client: Westin  
 Drawn by: Daniel Bradley  
 Title: WSW - AMERICAN PRO 914 - TWIN - SS - GA V1 20220401

Ref: WSW - AMERICAN PRO 914 - TWIN - SS

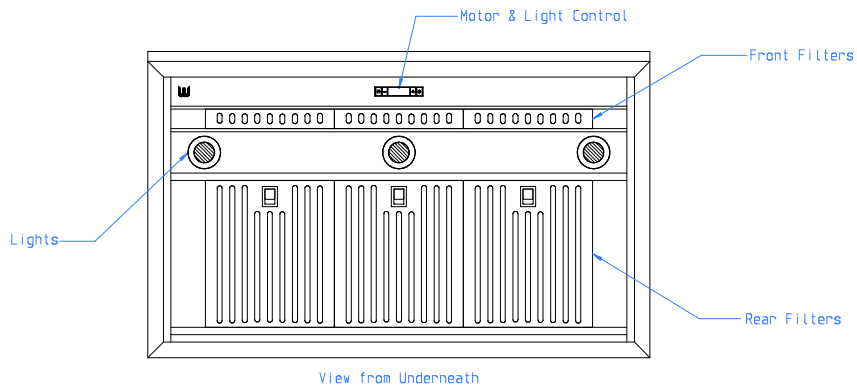
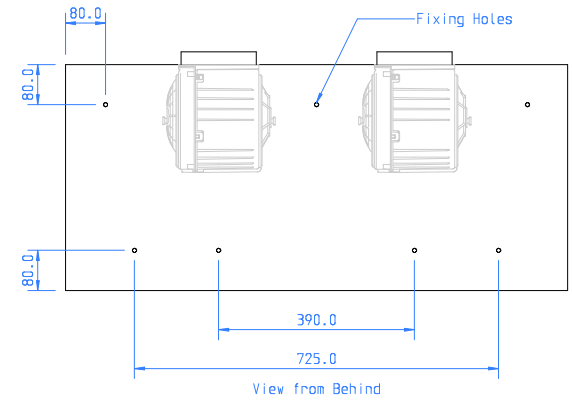
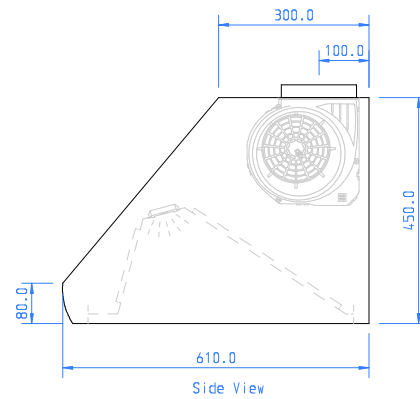
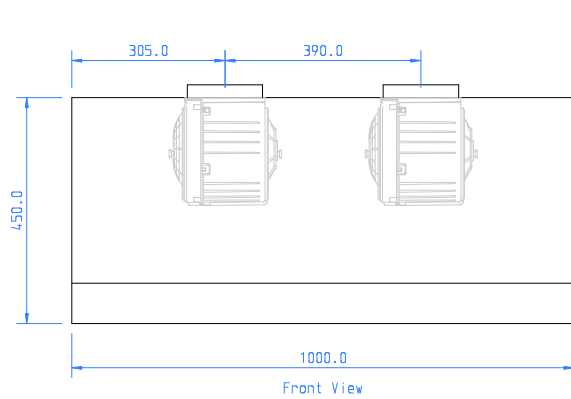
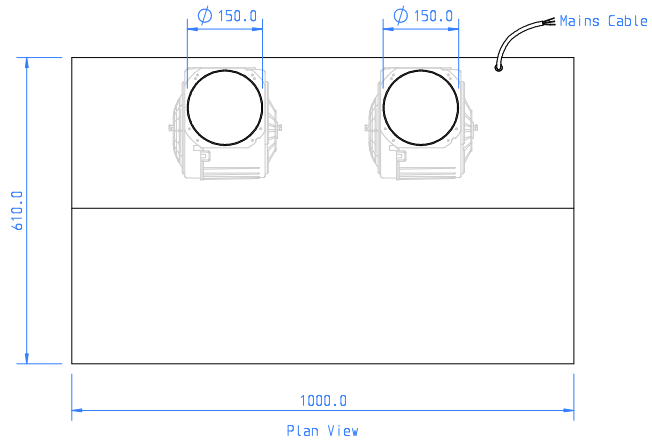
Approved by:

Date:

Scale: 1:10 A3

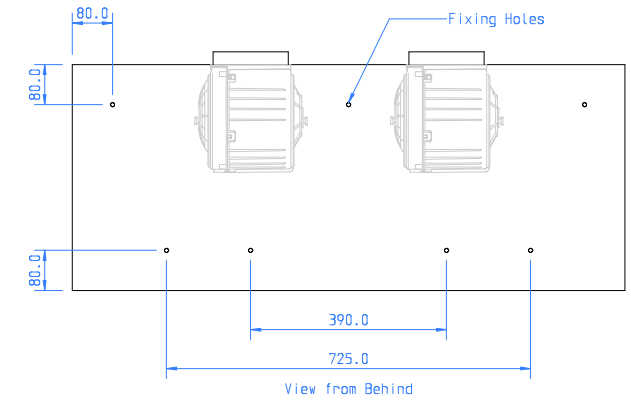
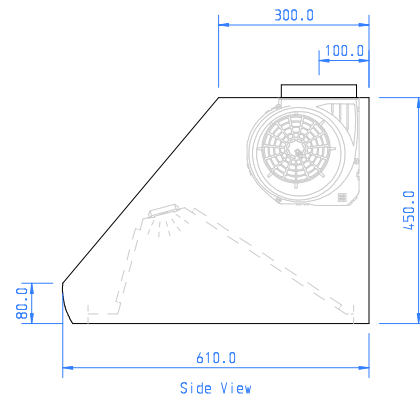
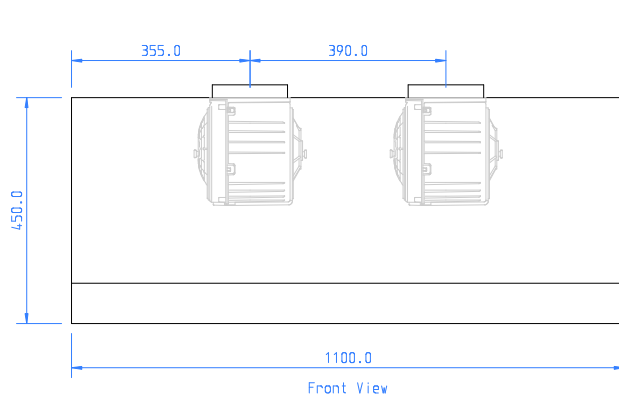
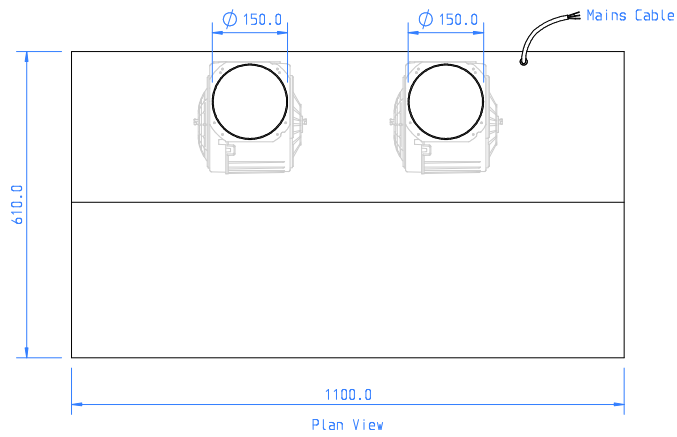
Units: mm

Date: 01-04-22

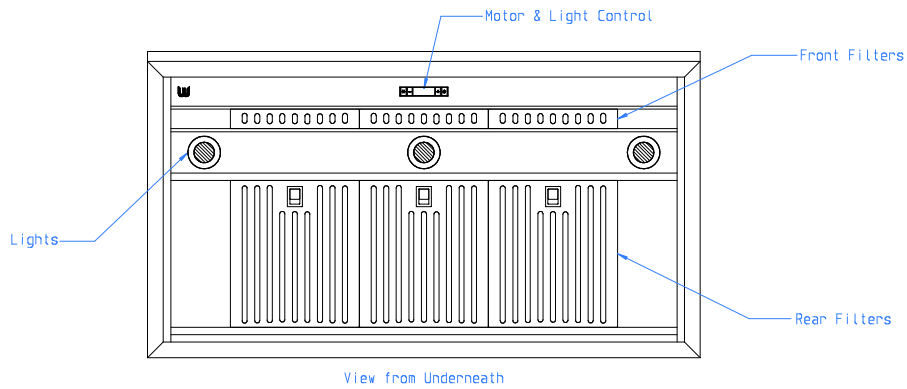


- Motor: 2 x Internal Motors
- Lighting: Tunable White LED
- Motor & Light Controls: Pushbutton with LCD Display & Remote Control
- Duct: 2 x 150mm  $\phi$  Top Outlet

	Client: Westin	Ref: WSW - AMERICAN PRO 1000 - TWIN - SS	Approved by:	Date:	Scale: 1:10 A3
	Drawn by: Daniel Bradley				Units: mm
	Title: WSW - AMERICAN PRO 1000 - TWIN - SS - GA V1 20220401				Date: 01-04-22



Motor: 2 x Internal Motors  
 Lighting: Tunable White LED  
 Motor & Light Controls: Pushbutton with LCD Display & Remote Control  
 Duct: 2 x 150mm  $\phi$  Top Outlet



Client: Westin  
 Drawn by: Daniel Bradley  
 Title: WSW - AMERICAN PRO 1100 - TWIN - SS - GA V1 20220401

Ref: WSW - AMERICAN PRO 1100 - TWIN - SS

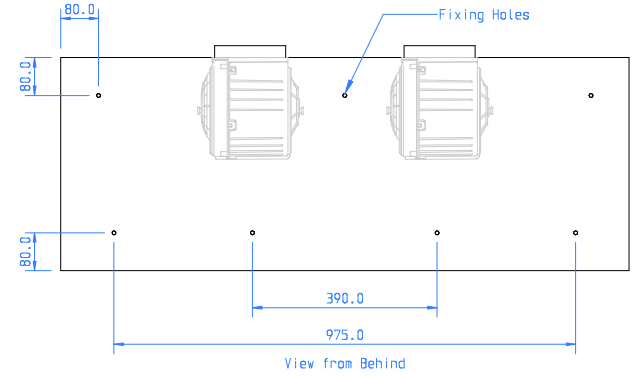
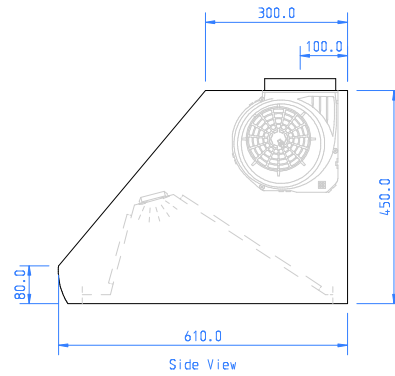
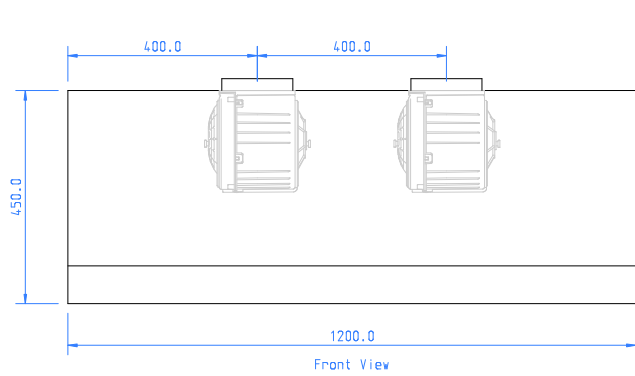
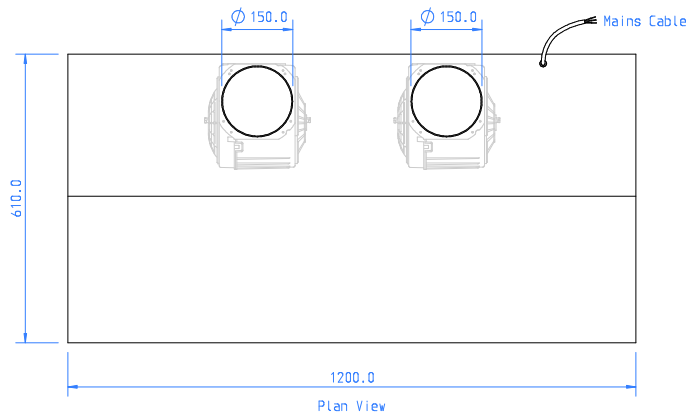
Approved by:

Date:

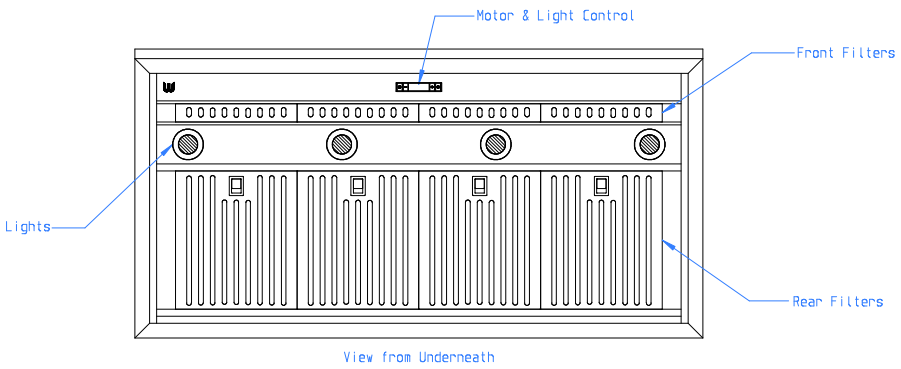
Scale: 1:10 A3

Units: mm

Date: 01-04-22



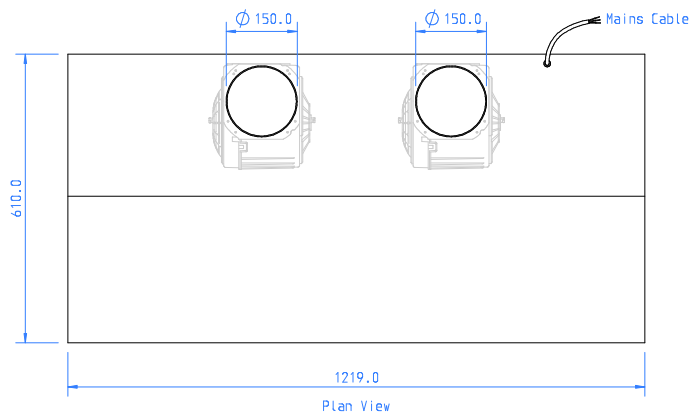
- Motor: 2 x Internal Motors
- Lighting: Tunable White LED
- Motor & Light Controls: Pushbutton with LCD Display & Remote Control
- Duct: 2 x 150mm  $\varnothing$  Top Outlet



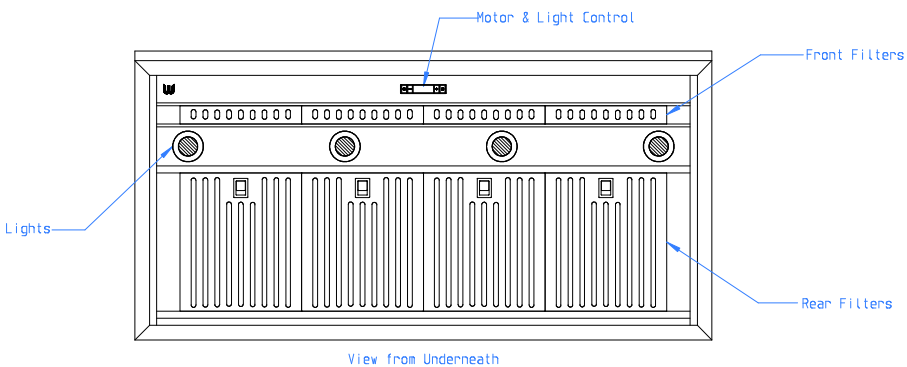
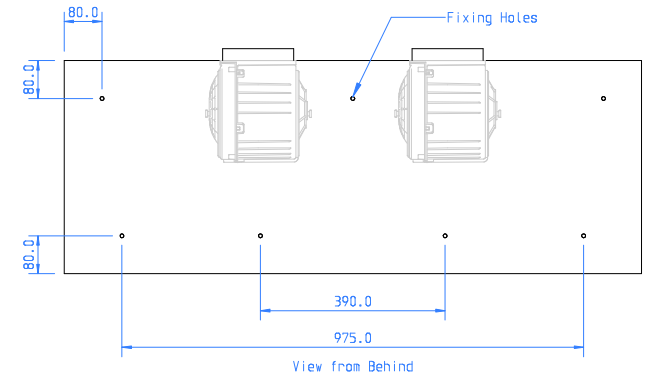
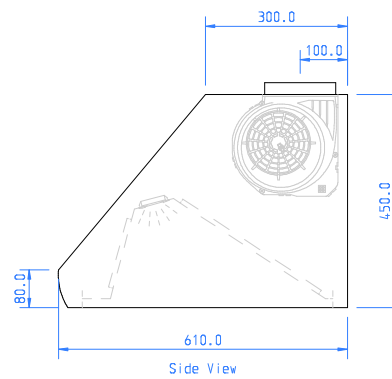
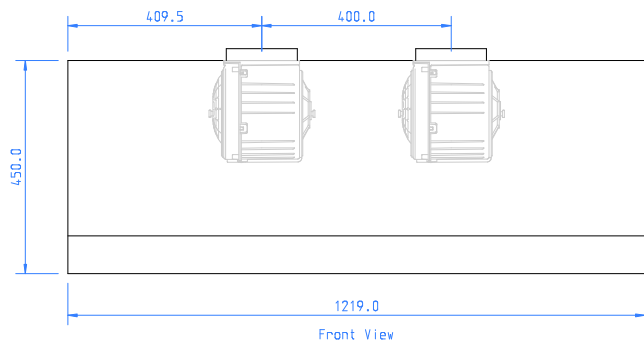
Client: Westin  
 Drawn by: Daniel Bradley  
 Title: WSW - AMERICAN PRO 1200 - TWIN - SS - GA V1 20220401  
 Ref: WSW - AMERICAN PRO 1200 - TWIN - SS

Approved by:  
 Date:

Scale: 1:15 A4  
 Units: mm  
 Date: 01-04-22



Motor: 2 x Internal Motors  
 Lighting: Tunable White LED  
 Motor & Light Controls: Pushbutton with LCD Display & Remote Control  
 Duct: 2 x 150mm  $\varnothing$  Top Outlet

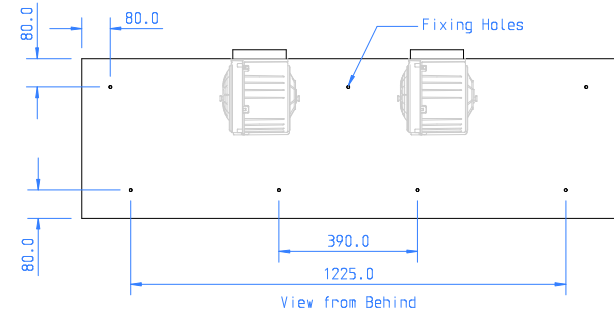
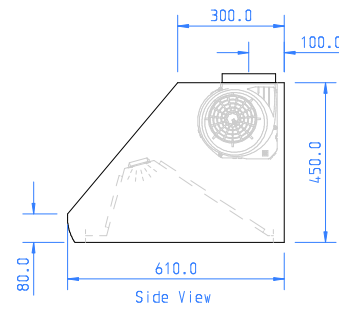
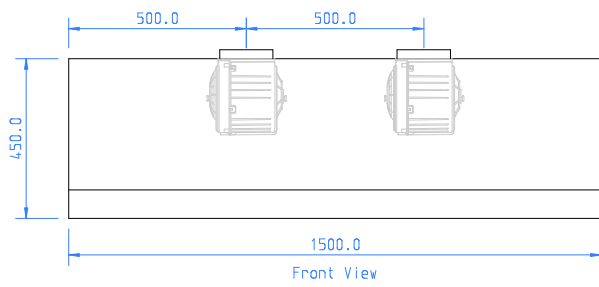
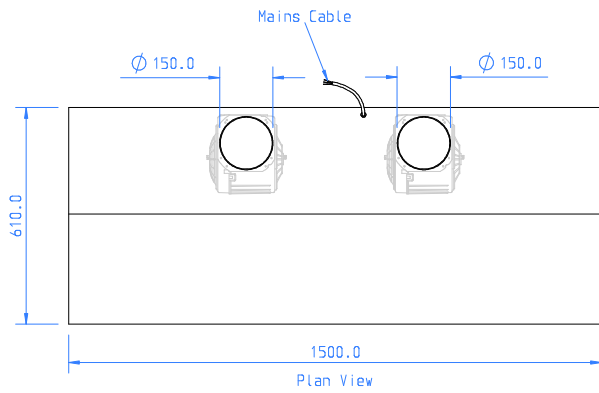


Client: Westin  
 Drawn by: Daniel Bradley  
 Title: WSW - AMERICAN PRO 1219 - TWIN - SS - GA V1 20220401  
 Ref: WSW - AMERICAN PRO 1219 - TWIN - SS

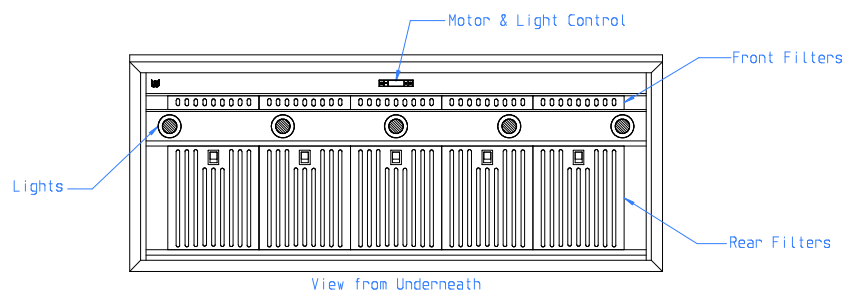
Approved by:

Date:

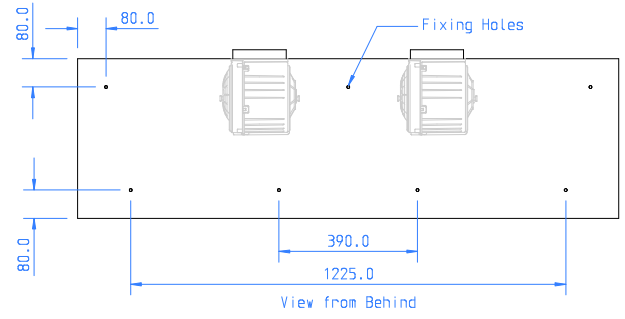
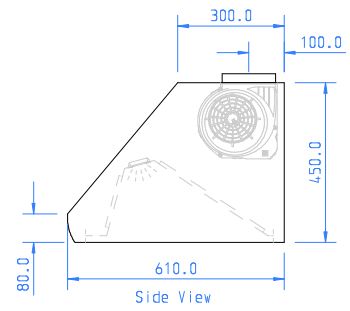
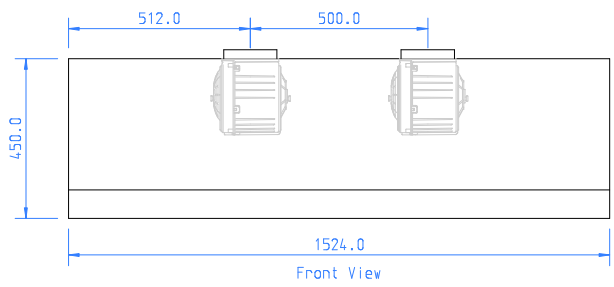
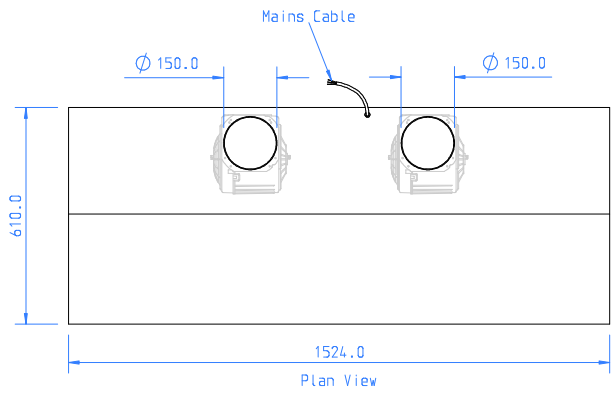
Scale: 1:15 A4  
 Units: mm  
 Date: 01-04-22



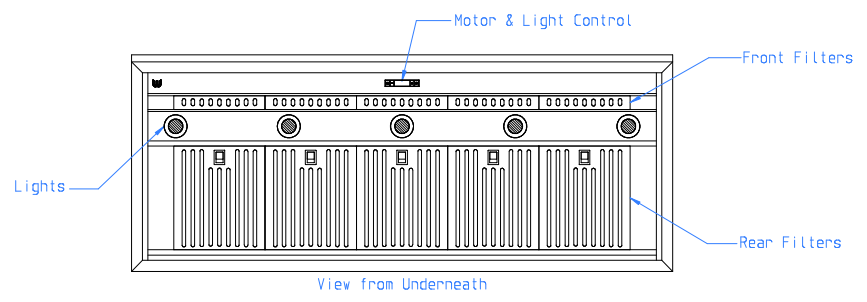
Motor: 2 x Internal Motors  
 Lighting: Tunable White LED  
 Motor & Light Controls: Pushbutton with LCD Display & Remote Control  
 Duct: 2 x 150mm  $\phi$  Top Outlet



	Client: Westin	Ref: WSW - AMERICAN PRO 1500 - TWIN - SS	Approved by:	Date:	Scale: 1:20 A4
	Drawn by: Daniel Bradley				Units: mm
	Title: WSW - AMERICAN PRO 1500 - TWIN - SS - GA V1 20220401				Date: 01-04-22



Motor: 2 x Internal Motors  
 Lighting: Tunable White LED  
 Motor & Light Controls: Pushbutton with LCD Display & Remote Control  
 Duct: 2 x 150mm  $\phi$  Top Outlet



	Client: Westin	Ref: WSW - AMERICAN PRO 1524 - TWIN - SS	Approved by:	Date:	Scale: 1:20 A4
	Drawn by: Daniel Bradley				Units: mm
	Title: WSW - AMERICAN PRO 1524 - TWIN - SS - GA V1 20220401				Date: 01-04-22