

Motor: 1 x SEM Remote Motor - Separate Item

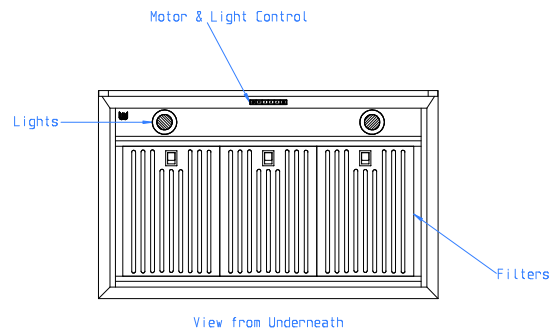
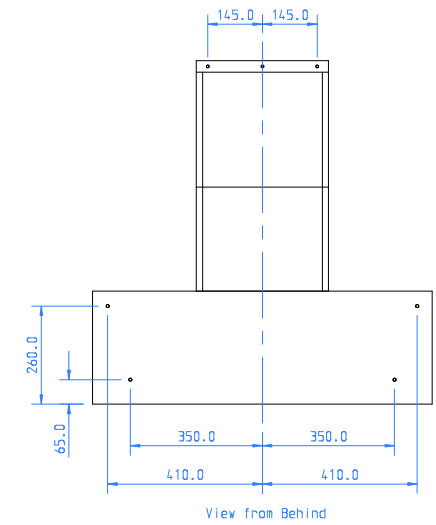
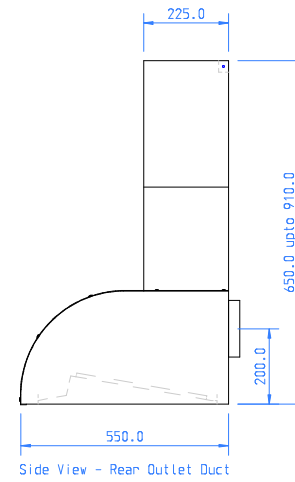
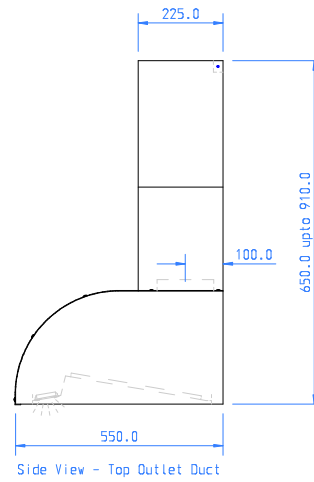
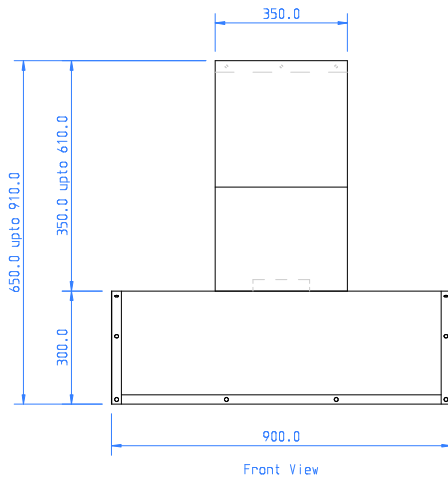
Lighting: Tunable White LED

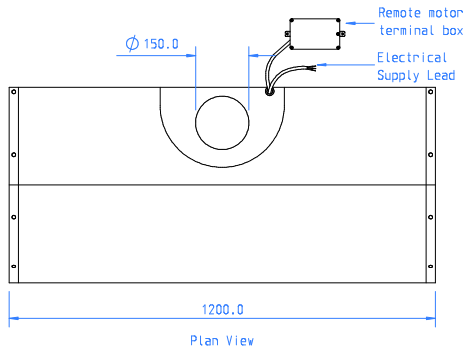
Motor & Light Controls: Tactile Pushbutton

Duct: 1 x 150mm \varnothing Top or Rear Outlet

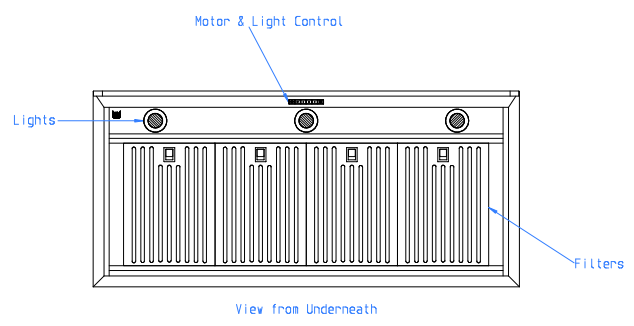
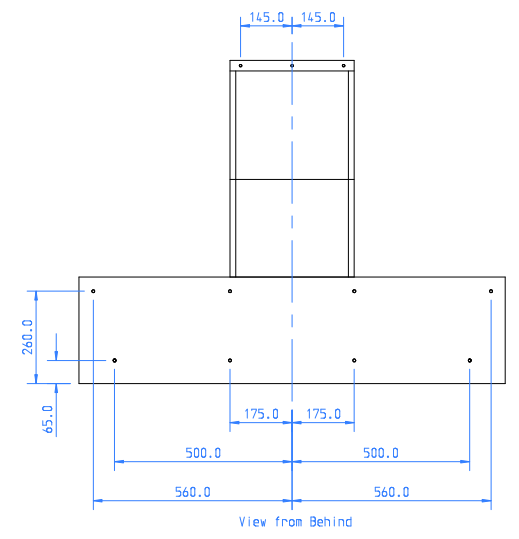
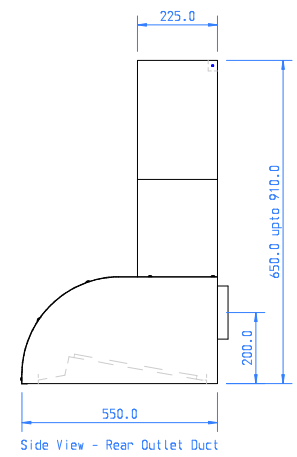
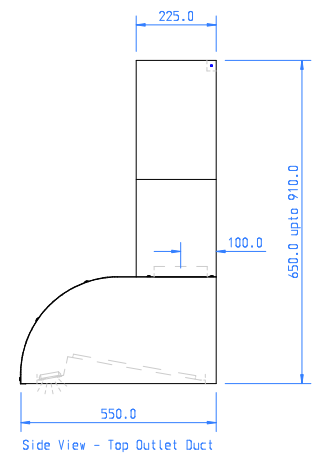
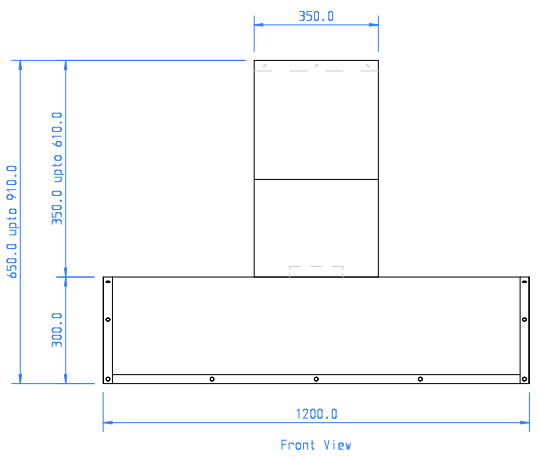
Extractor will be shipped with TOP outlet, this can be adjusted to rear outlet on site.

Fixing holes are provided in the back of the extractor





Motor: 1 x SEM Remote Motor - Separate Item
 Lighting: Tunable White LED
 Motor & Light Controls: Tactile Pushbutton
 Duct: 1 x 150mm \varnothing Top or Rear Outlet
 Extractor will be shipped with TOP outlet, this can be adjusted to rear outlet on site.
 Fixing holes are provided in the back of the extractor



	Client: Westin	Ref: Masterchef 1200 EM	Approved by:	Date:	Scale: 1:20 A4
	Drawn by: Daniel Bradley				Units: mm
	Title: WSW - MASTERCHEF 1200 - EM ~ GA V1 20220520				Date: 20-05-22