

Motor: 1 x Internal Motor

Lighting: Tunable White LED

Motor & Light Controls: Tactile Pushbutton (Remote Control Compatible)

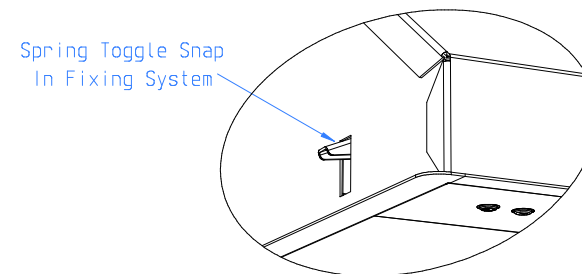
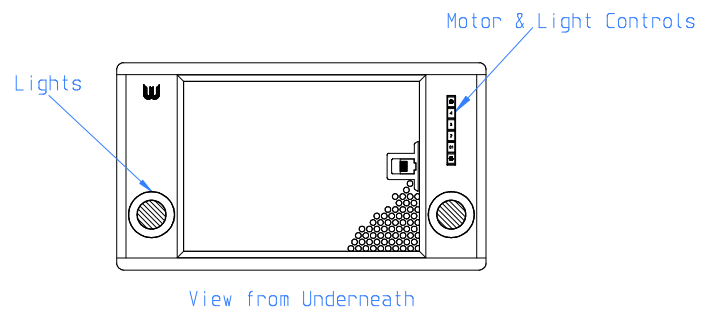
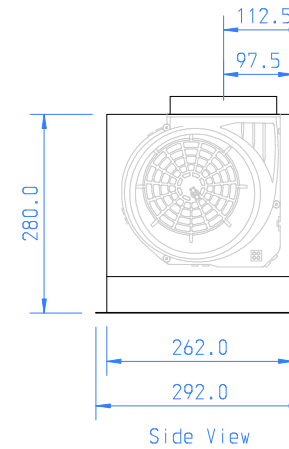
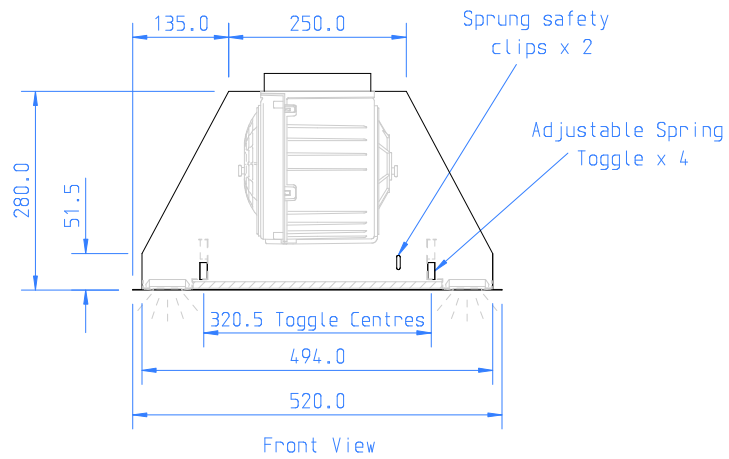
Duct: 1 x 150mm \varnothing Top Outlet

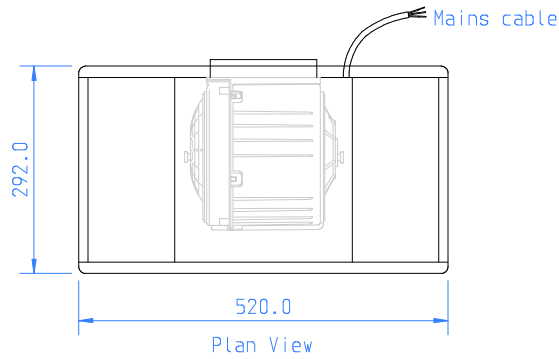
Soffit Opening - 500mm x 266mm

Soffit Thickness - 15mm Minimum upto 22mm Maximum

The extractor is fixed in place by 4 adjustable spring toggles.

Supplementary support of the unit is provided by 2 x sprung safety clips at opposite corners of the unit.





Motor: 1 x Internal Motor

Lighting: Tunable White LED

Motor & Light Controls: Tactile Pushbutton (Remote Control Compatible)

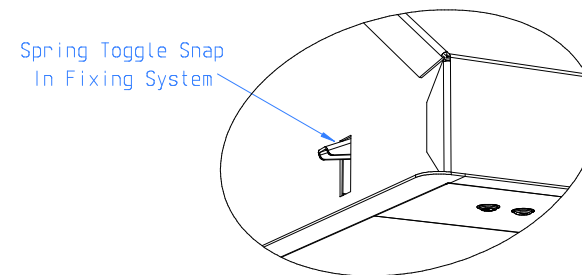
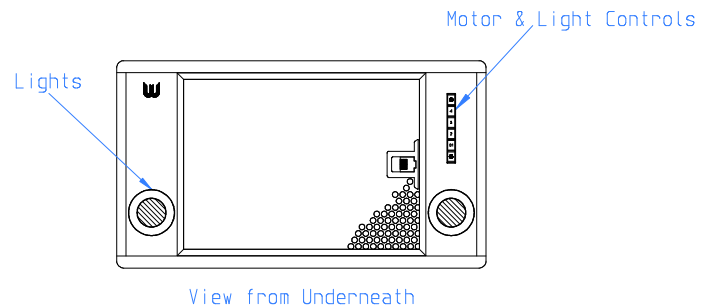
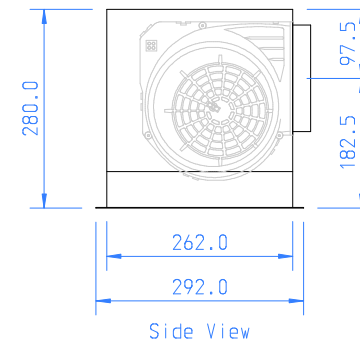
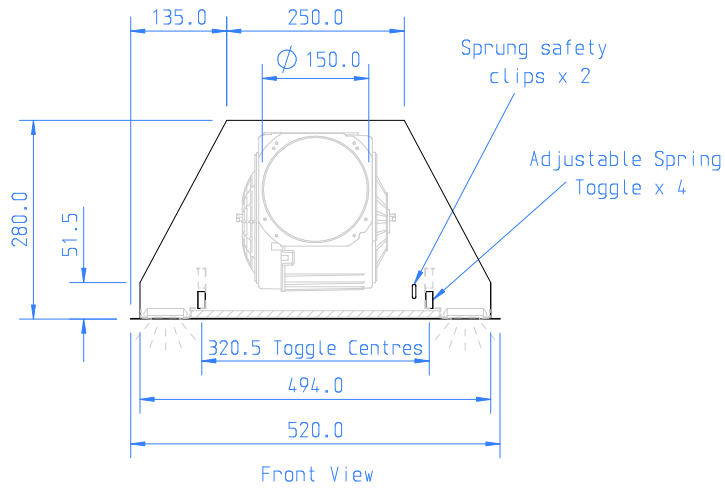
Duct: 1 x 150mm \varnothing Rear Outlet

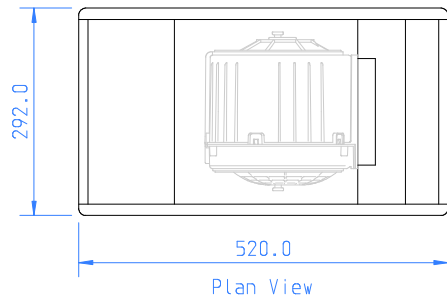
Soffit Opening - 500mm x 266mm

Soffit Thickness - 15mm Minimum upto 22mm Maximum

The extractor is fixed in place by 4 adjustable spring toggles.

Supplementary support of the unit is provided by 2 x sprung safety clips at opposite corners of the unit.





Motor: 1 x Internal Motor

Lighting: Tunable White LED

Motor & Light Controls: Tactile Pushbutton (Remote Control Compatible)

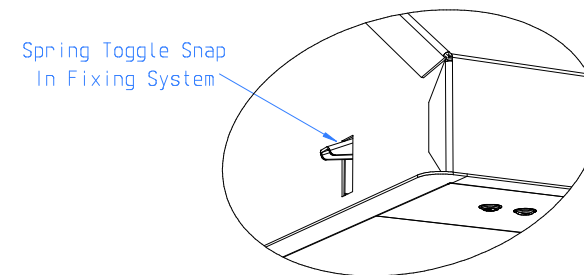
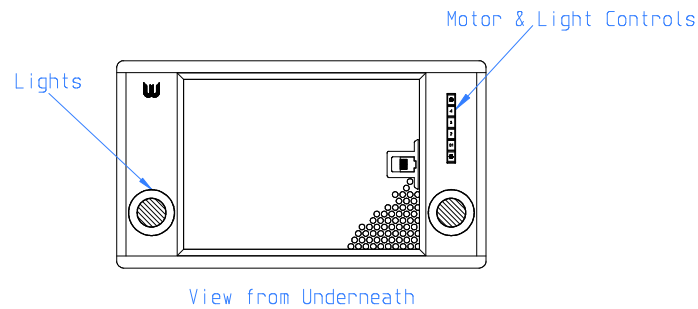
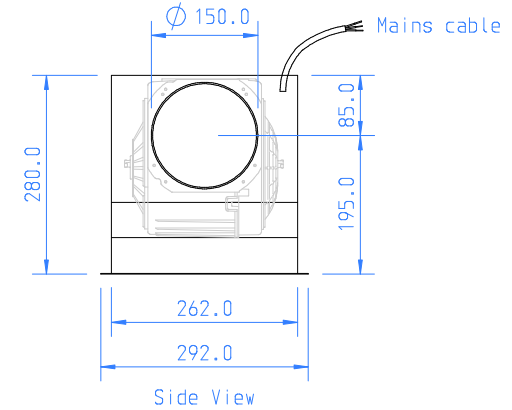
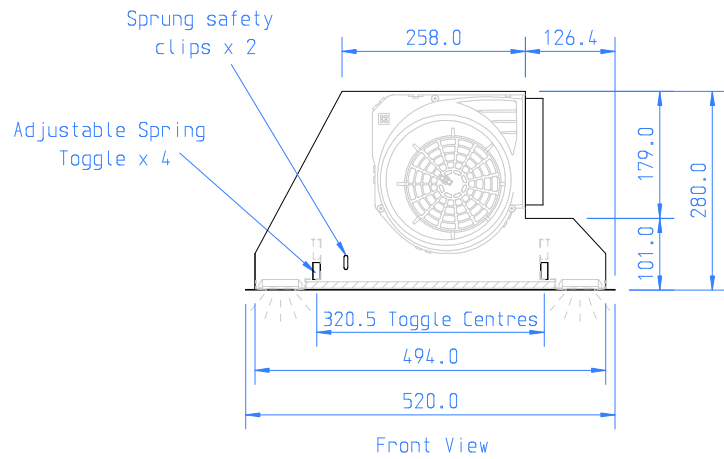
Duct: 1 x 150mm ϕ Right Outlet

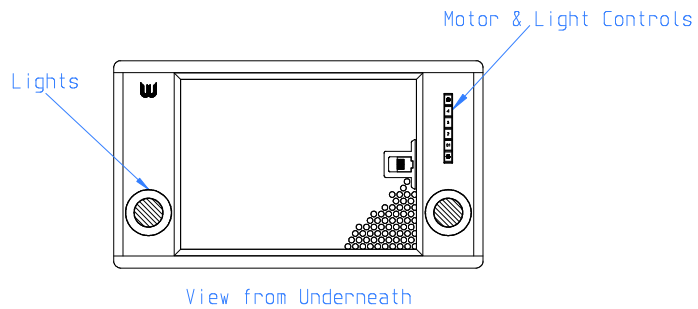
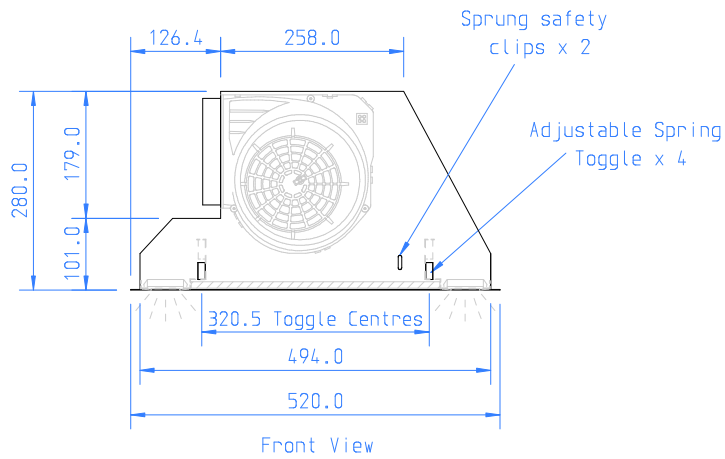
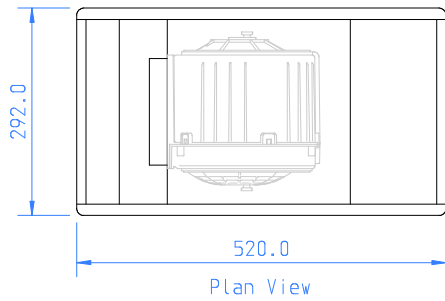
Soffit Opening - 500mm x 266mm

Soffit Thickness - 15mm Minimum upto 22mm Maximum

The extractor is fixed in place by 4 adjustable spring toggles.

Supplementary support of the unit is provided by 2 x sprung safety clips at opposite corners of the unit.





Motor: 1 x Internal Motor

Lighting: Tunable White LED

Motor & Light Controls: Tactile Pushbutton (Remote Control Compatible)

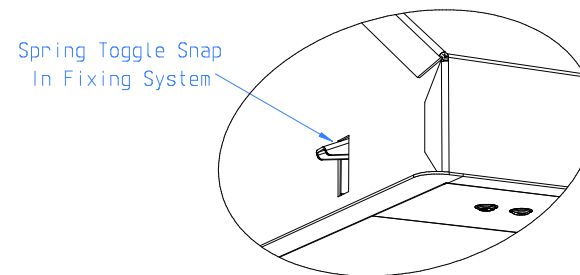
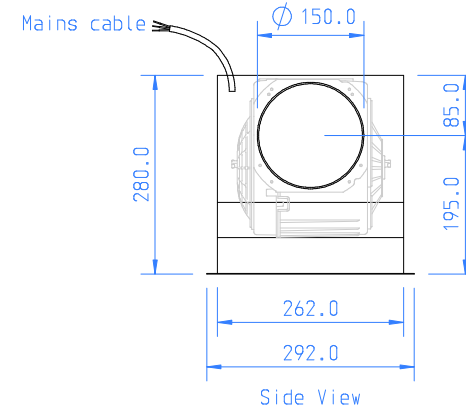
Duct: 1 x 150mm ϕ Left Outlet

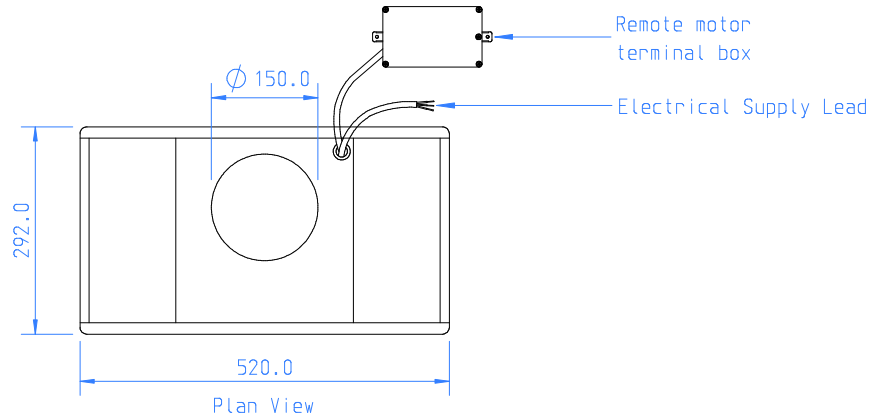
Soffit Opening - 500mm x 266mm

Soffit Thickness - 15mm Minimum upto 22mm Maximum

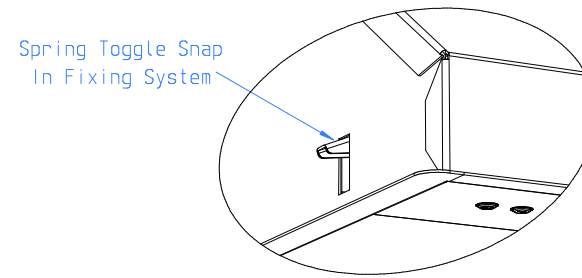
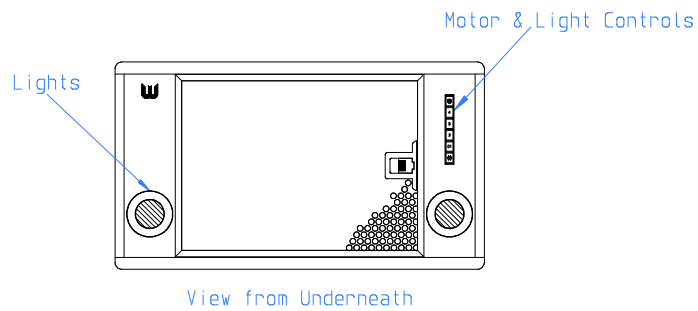
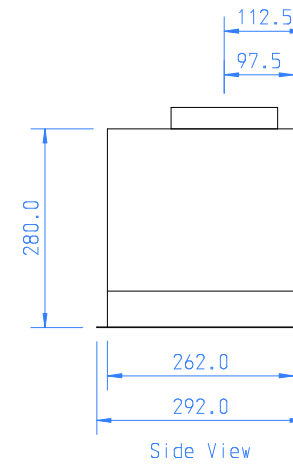
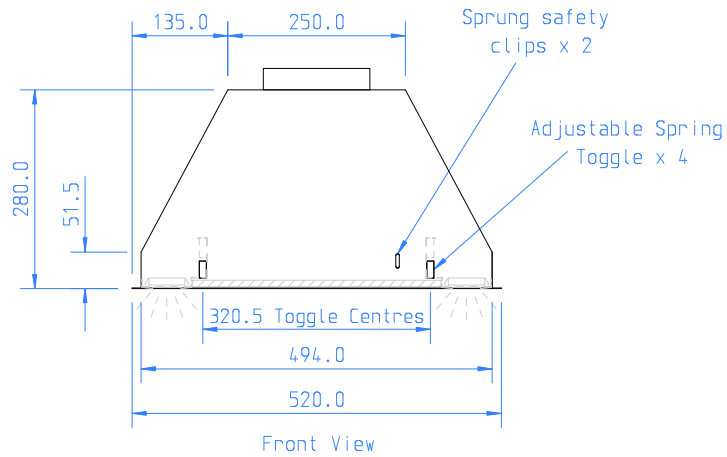
The extractor is fixed in place by 4 adjustable spring toggles.

Supplementary support of the unit is provided by 2 x sprung safety clips at opposite corners of the unit.





Motor: 1 x SEM Remote Motor - Separate Item
 Lighting: Tunable White LED
 Motor & Light Controls: Tactile Pushbutton (Remote Control Compatible)
 Duct: 1 x 150mm ϕ Top Outlet
 Soffit Opening - 500mm x 266mm
 Soffit Thickness - 15mm Minimum upto 22mm Maximum
 The extractor is fixed in place by 4 adjustable spring toggles.
 Supplementary support of the unit is provided by 2 x sprung safety clips at opposite corners of the unit.



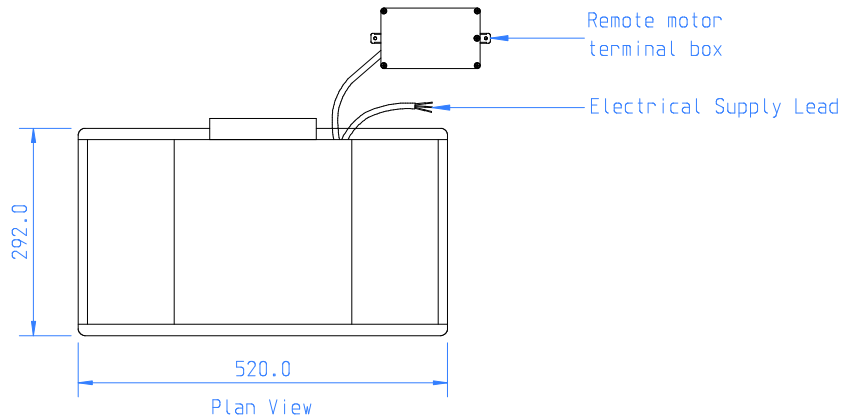
Client: Westin
 Drawn by: Daniel Bradley
 Title: WSW - PRIME 520 - EM - SS GA V1 20220208

Ref: WSW - PRIME 520 - EM - SS

Approved by:

Date:

Scale: 1:10 A4
 Units: mm
 Date: 08-02-22



Motor: 1 x SEM Remote Motor - Separate Item

Lighting: Tunable White LED

Motor & Light Controls: Tactile Pushbutton (Remote Control Compatible)

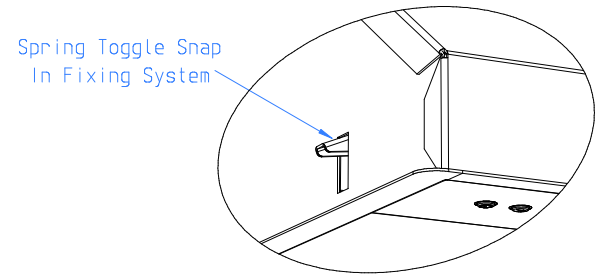
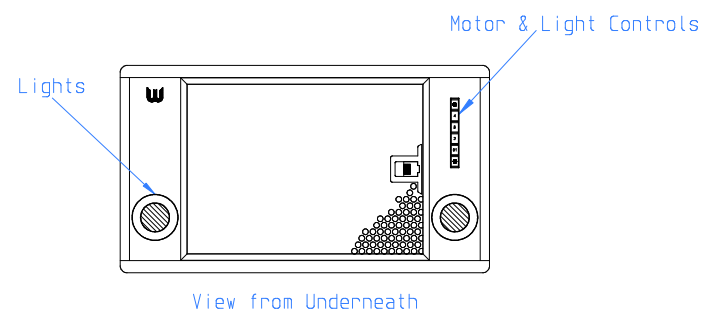
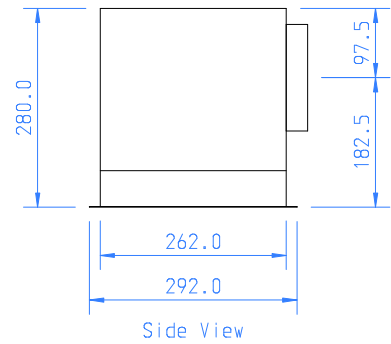
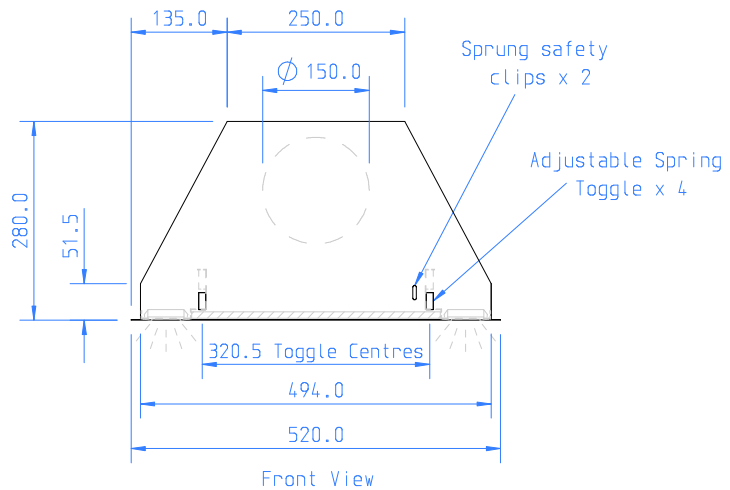
Duct: 1 x 150mm \varnothing Rear Outlet

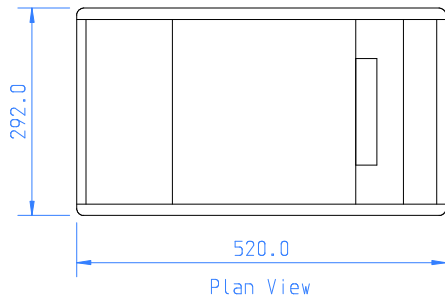
Soffit Opening - 500mm x 266mm

Soffit Thickness - 15mm Minimum upto 22mm Maximum

The extractor is fixed in place by 4 adjustable spring toggles.

Supplementary support of the unit is provided by 2 x sprung safety clips at opposite corners of the unit.





Motor: 1 x SEM Remote Motor - Separate Item

Lighting: Tunable White LED

Motor & Light Controls: Tactile Pushbutton (Remote Control Compatible)

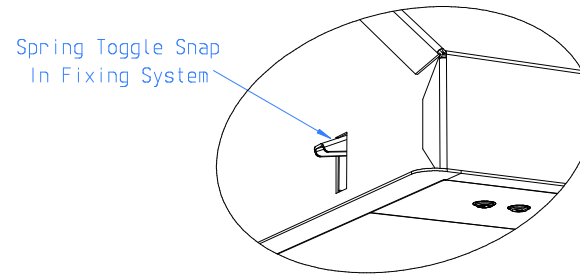
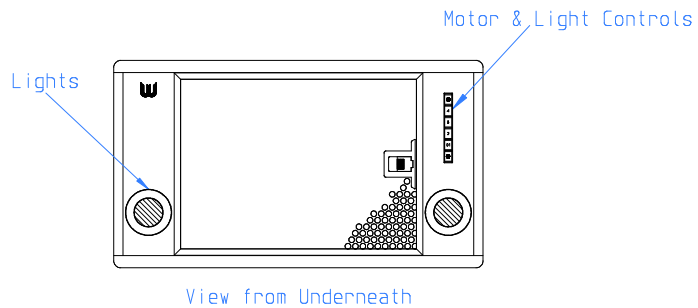
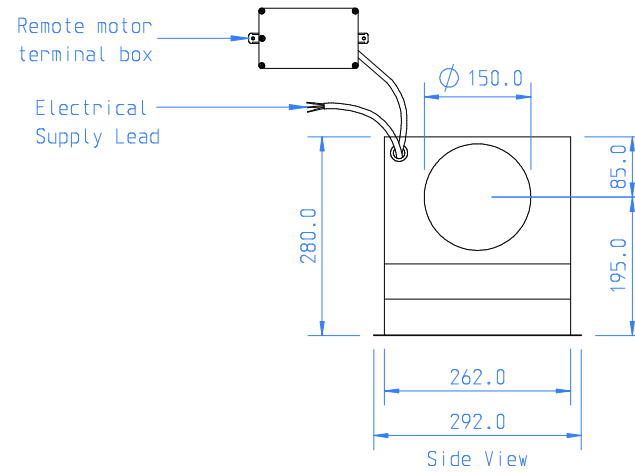
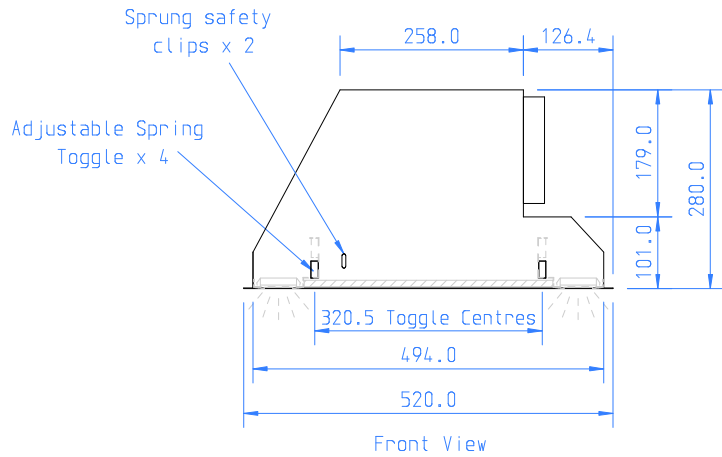
Duct: 1 x 150mm \varnothing Right Outlet

Soffit Opening - 500mm x 266mm

Soffit Thickness - 15mm Minimum upto 22mm Maximum

The extractor is fixed in place by 4 adjustable spring toggles.

Supplementary support of the unit is provided by 2 x sprung safety clips at opposite corners of the unit.



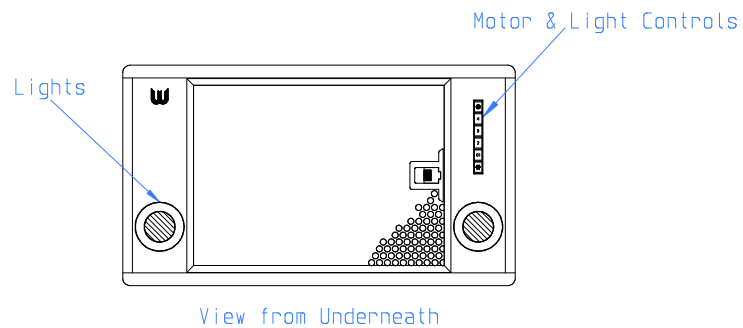
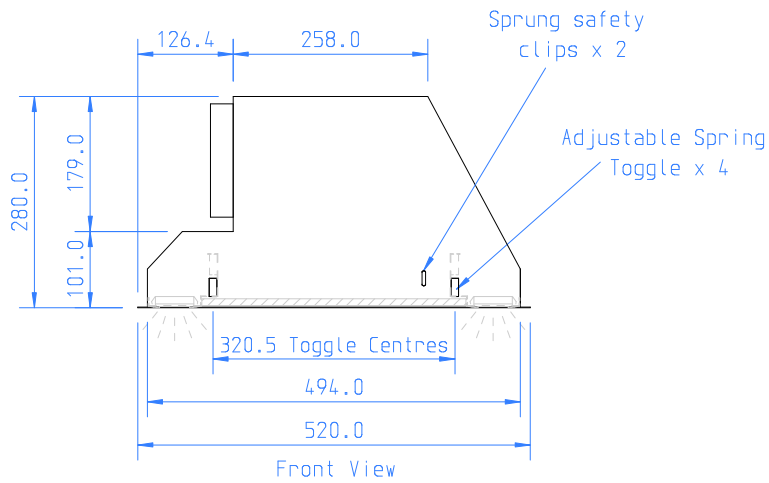
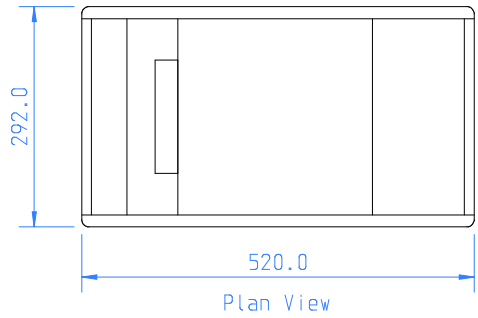
Client: Westin
 Drawn by: Daniel Bradley
 Title: WSW - PRIME 520 - EM - RHS - SS GA V1 20220208

Ref: WSW - PRIME 520 - EM - RHS - SS

Approved by:

Date:

Scale: 1:10 A4
 Units: mm
 Date: 08-02-22



Motor: 1 x SEM Remote Motor - Separate Item

Lighting: Tunable White LED

Motor & Light Controls: Tactile Pushbutton (Remote Control Compatible)

Duct: 1 x 150mm \varnothing Left Outlet

Soffit Opening - 500mm x 266mm

Soffit Thickness - 15mm Minimum upto 22mm Maximum

The extractor is fixed in place by 4 adjustable spring toggles.

Supplementary support of the unit is provided by 2 x sprung safety clips at opposite corners of the unit.

