

Motor: 1 x Internal Motor

Lighting: Tunable White LED Strip Light

Motor & Light Controls: Tactile Pushbutton & Remote Control

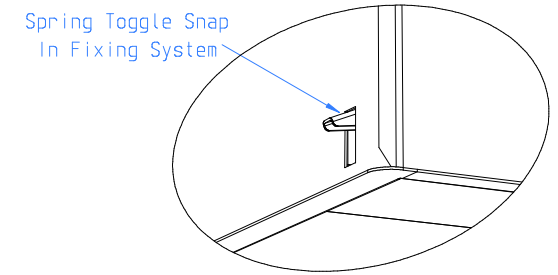
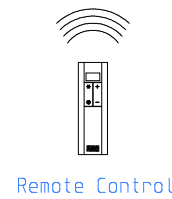
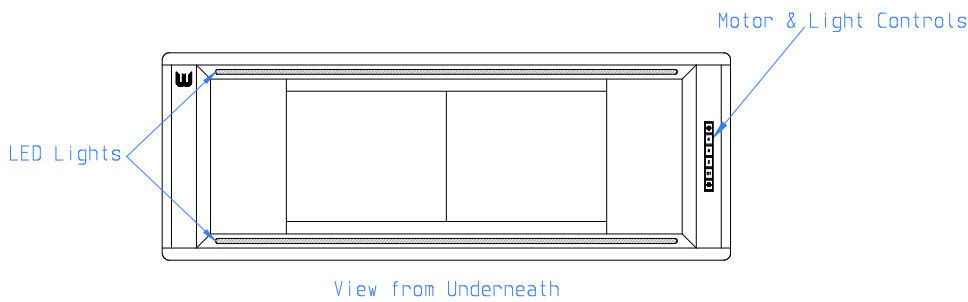
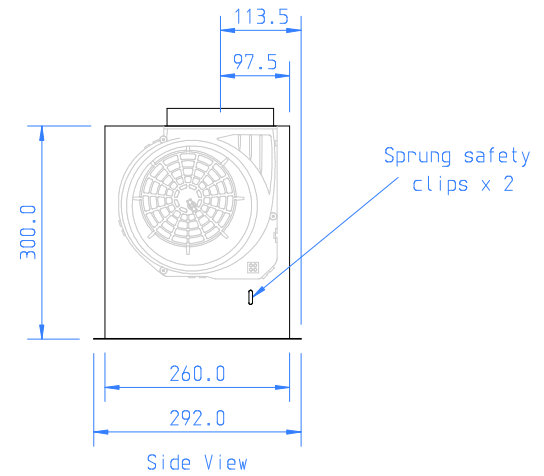
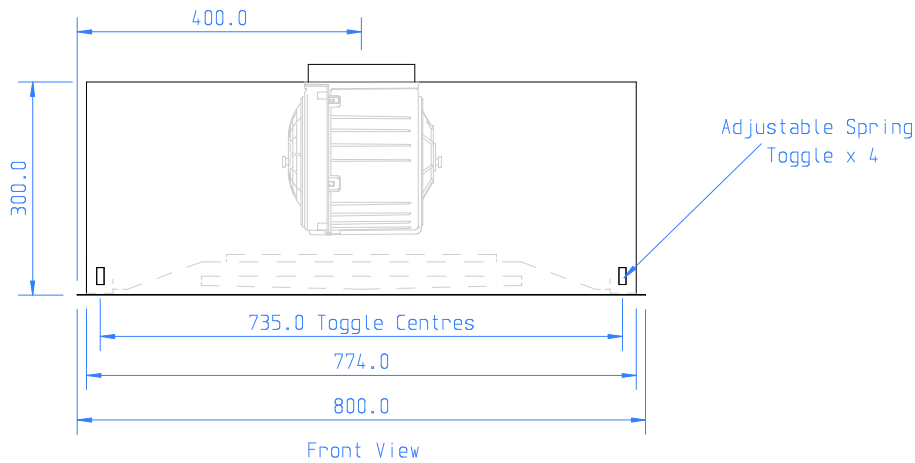
Duct: 1 x 150mm  $\varnothing$  Top Outlet

Soffit Opening - 780mm x 266mm

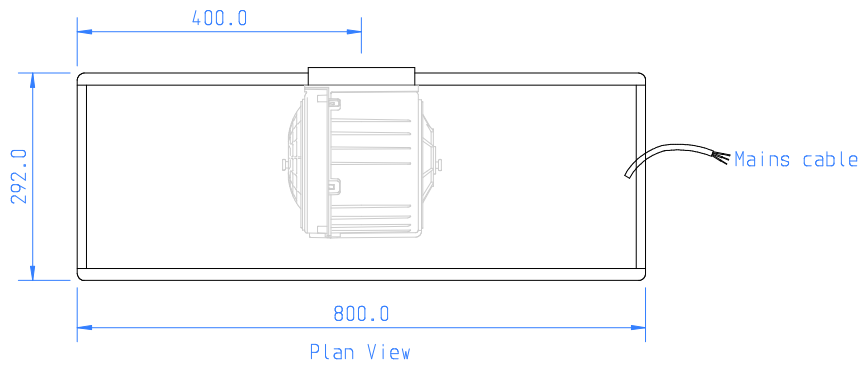
Soffit Thickness - 15mm Minimum upto 22mm Maximum

The extractor is fixed in place by 4 adjustable spring toggles.

Supplementary support of the unit is provided by 2 x sprung safety clips at opposite corners of the unit.



	Client: Westin	Ref: WSW - PRIME EDGE 800 - SS	Approved by:	Date:	Scale: 1:10 A4
	Drawn by: Daniel Bradley				Units: mm
	Title: WSW - PRIME EDGE 800 - SS GA V1 20220401				Date: 01-04-22



Motor: 1 x Internal Motor

Lighting: Tunable White LED Strip Light

Motor & Light Controls: Tactile Pushbutton & Remote Control

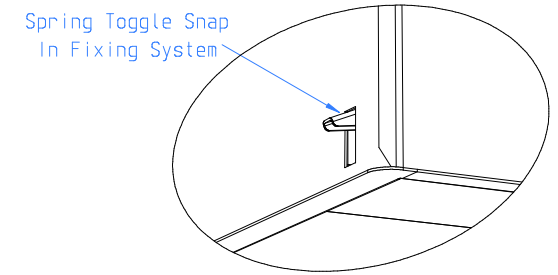
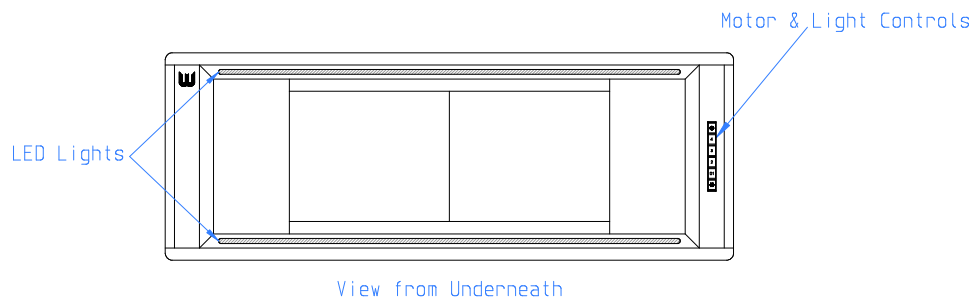
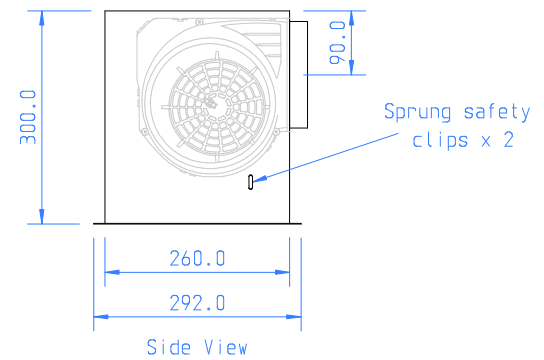
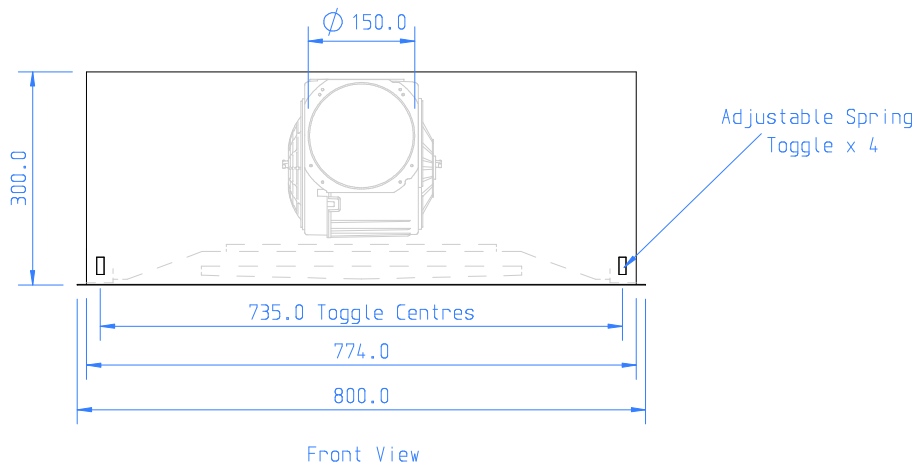
Duct: 1 x 150mm  $\varnothing$  Rear Outlet

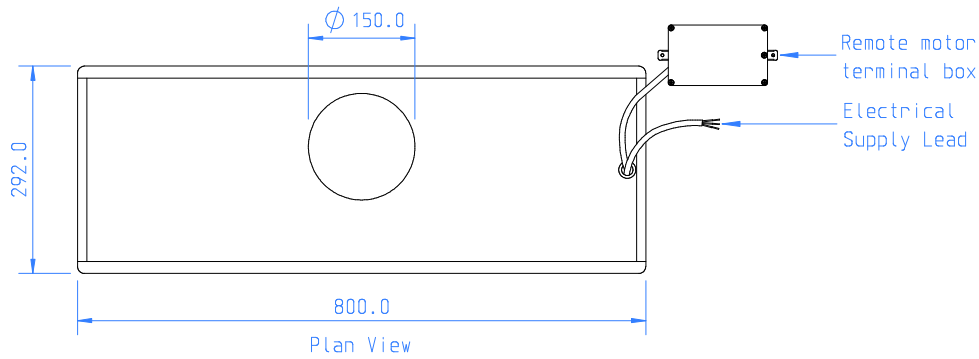
Soffit Opening - 780mm x 266mm

Soffit Thickness - 15mm Minimum upto 22mm Maximum

The extractor is fixed in place by 4 adjustable spring toggles.

Supplementary support of the unit is provided by 2 x sprung safety clips at opposite corners of the unit.





Motor: 1 x SEM Remote Motor - Separate Item

Lighting: Tunable White LED Strip Light

Motor & Light Controls: Tactile Pushbutton & Remote Control

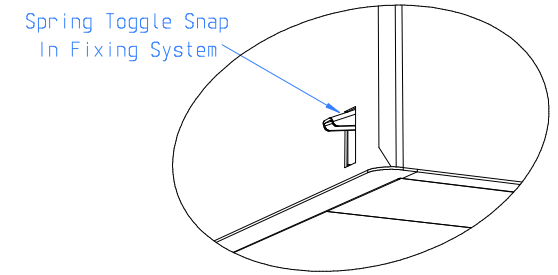
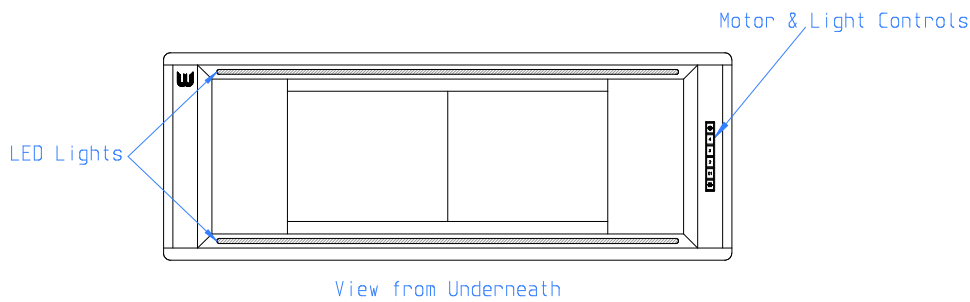
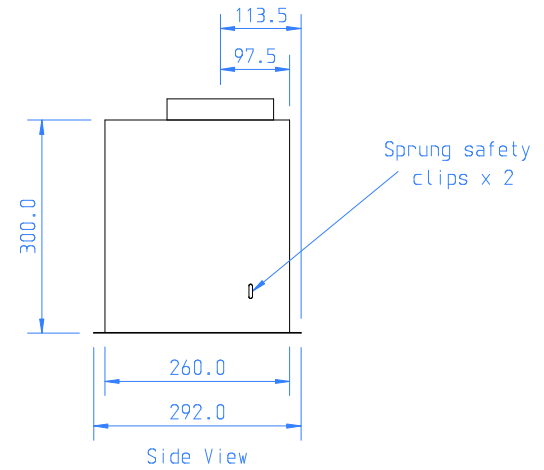
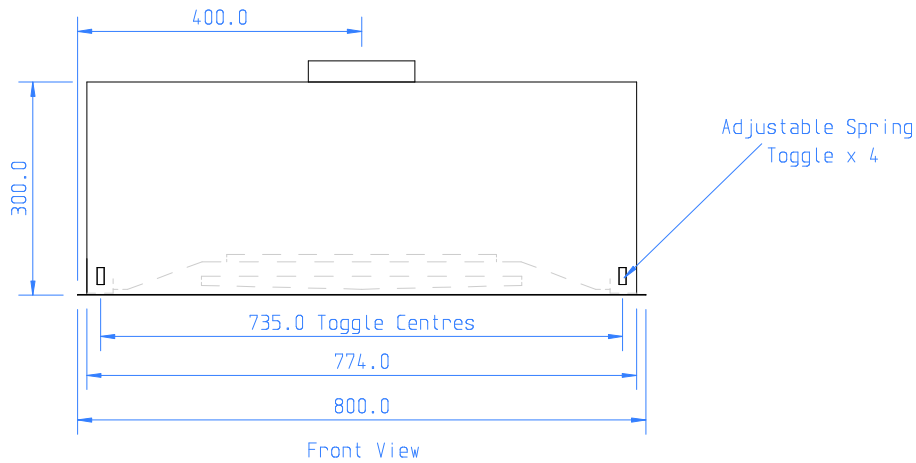
Duct: 1 x 150mm  $\varnothing$  Top Outlet

Soffit Opening - 780mm x 266mm

Soffit Thickness - 15mm Minimum upto 22mm Maximum

The extractor is fixed in place by 4 adjustable spring toggles.

Supplementary support of the unit is provided by 2 x sprung safety clips at opposite corners of the unit.



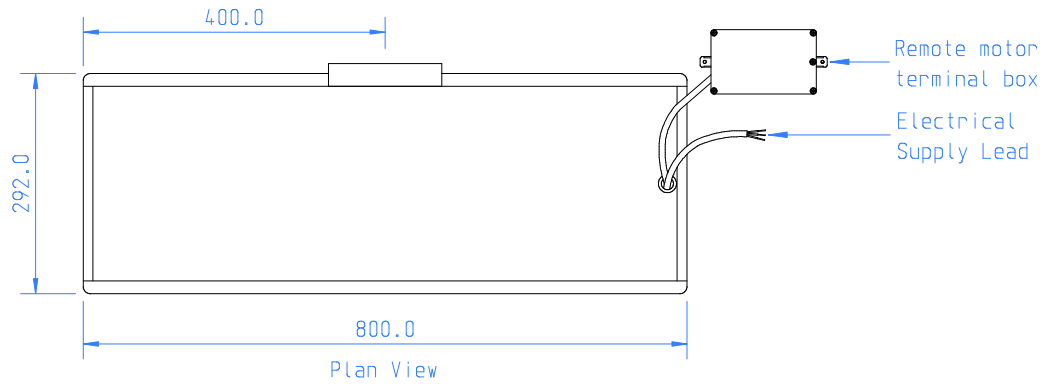
Client: Westin  
 Drawn by: Daniel Bradley  
 Title: WSW - PRIME EDGE 800 - EM - SS GA V1 20220401

Ref: WSW - PRIME EDGE 800 - EM - SS

Approved by:

Date:

Scale: 1:10 A4  
 Units: mm  
 Date: 01-04-22



Motor: 1 x SEM Remote Motor - Separate Item

Lighting: Tunable White LED Strip Light

Motor & Light Controls: Tactile Pushbutton & Remote Control

Duct: 1 x 150mm  $\varnothing$  Rear Outlet

Soffit Opening - 780mm x 266mm

Soffit Thickness - 15mm Minimum upto 22mm Maximum

The extractor is fixed in place by 4 adjustable spring toggles.

Supplementary support of the unit is provided by 2 x sprung safety clips at opposite corners of the unit.

