

Motor: 1 x SEM Remote Motor - Separate Item

Lighting: Tunable White LED

Motor & Light Controls: Tactile Pushbutton (Remote Control Compatible)

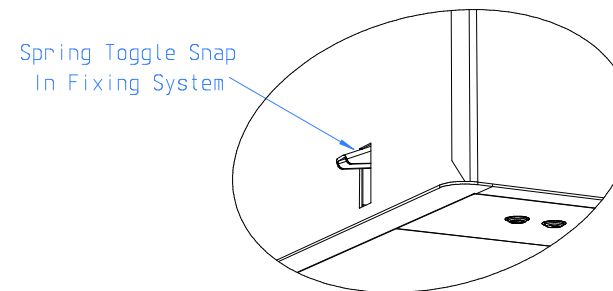
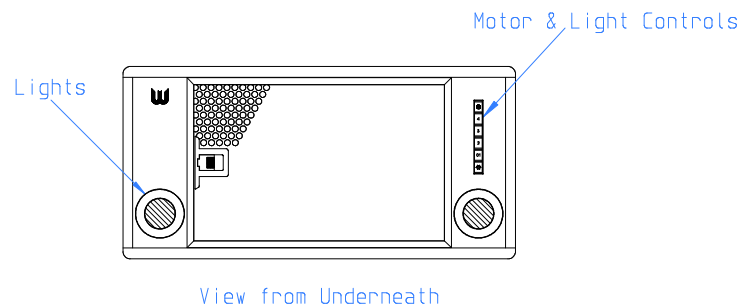
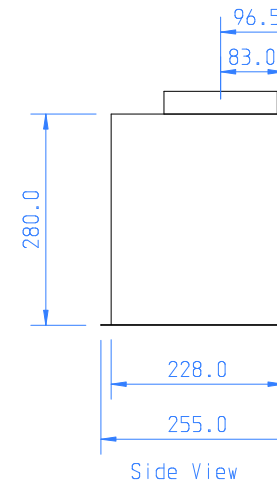
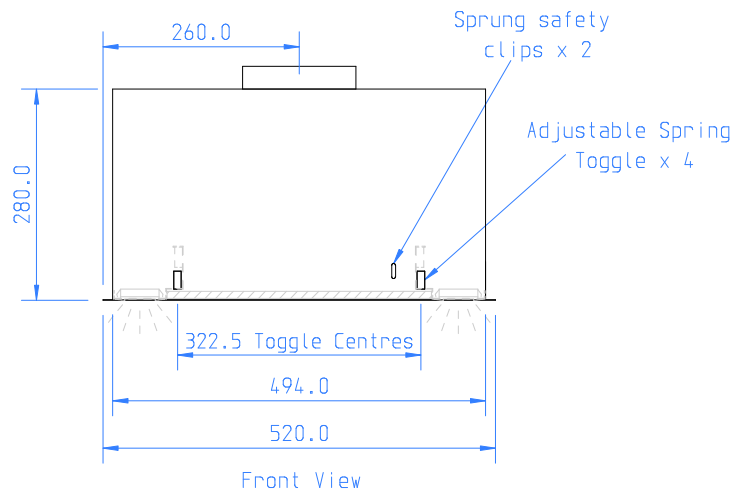
Duct: 1 x 150mm  $\phi$  Top Outlet

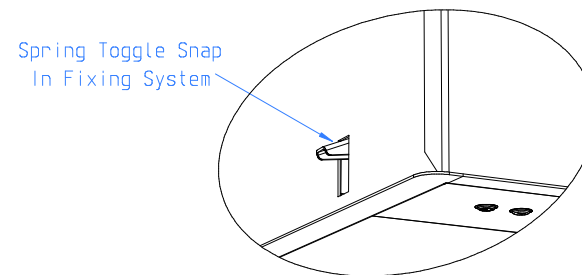
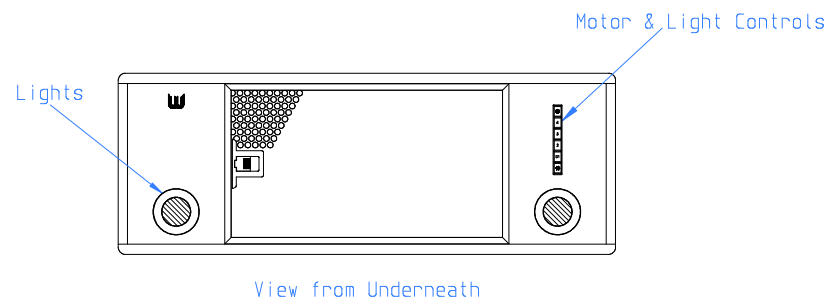
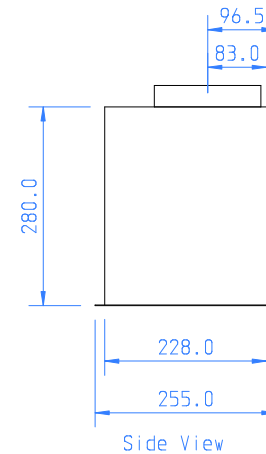
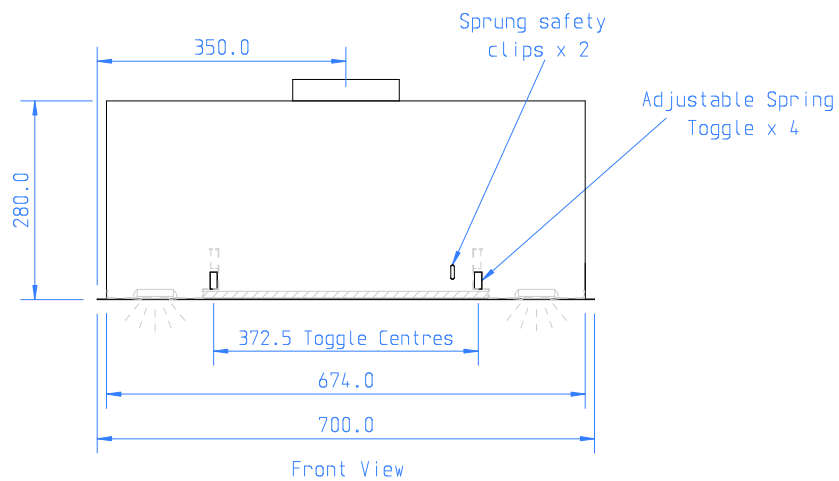
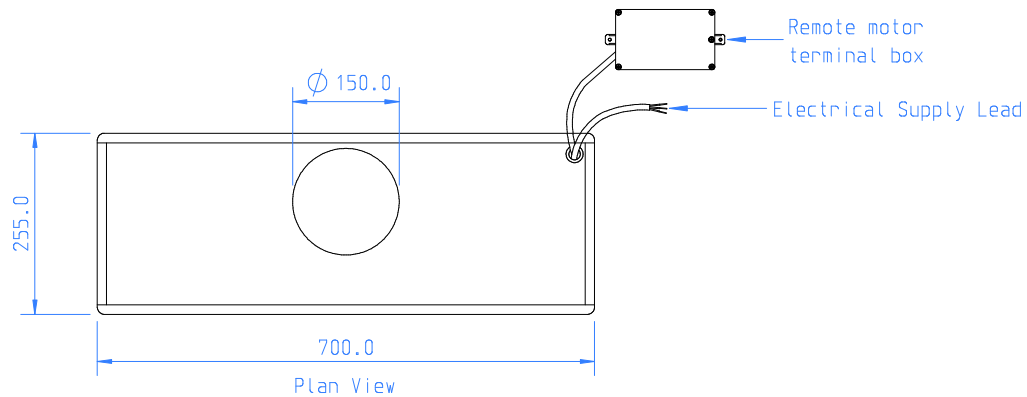
Soffit Opening - 500mm x 232mm

Soffit Thickness - 15mm Minimum upto 22mm Maximum

The extractor is fixed in place by 4 adjustable spring toggles.

Supplementary support of the unit is provided by 2 x sprung safety clips at opposite corners of the unit.





Motor: 1 x SEM Remote Motor - Separate Item

Lighting: Tunable White LED

Motor & Light Controls: Tactile Pushbutton (Remote Control Compatible)

Duct: 1 x 150mm  $\varnothing$  Top Outlet

Soffit Opening - 680mm x 232mm

Soffit Thickness - 15mm Minimum upto 22mm Maximum

The extractor is fixed in place by 4 adjustable spring toggles.

Supplementary support of the unit is provided by 2 x sprung safety clips at opposite corners of the unit.



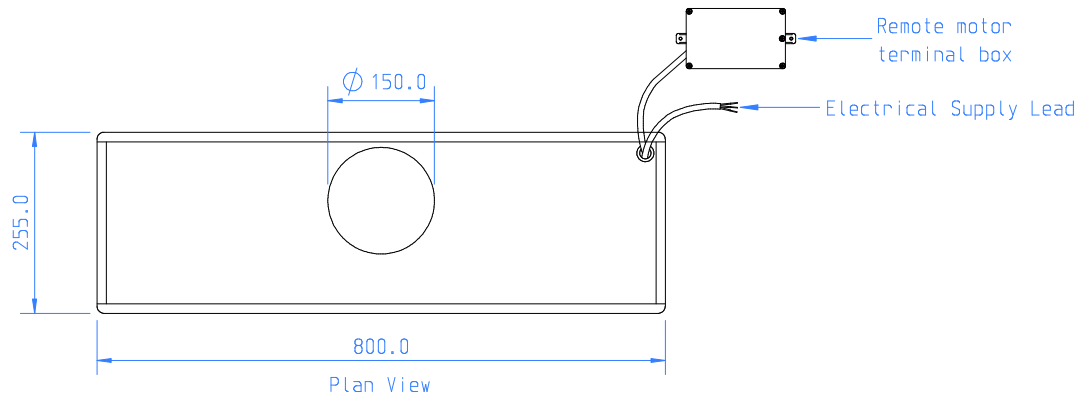
Client: Westin  
 Drawn by: Daniel Bradley  
 Title: WSW - PRIME SLIM 700 - EM - SS GA V1 20220331

Ref: WSW - PRIME SLIM 700 - EM - SS

Approved by:

Date:

Scale: 1:10 A4  
 Units: mm  
 Date: 31-03-22



Motor: 1 x SEM Remote Motor - Separate Item

Lighting: Tunable White LED

Motor & Light Controls: Tactile Pushbutton (Remote Control Compatible)

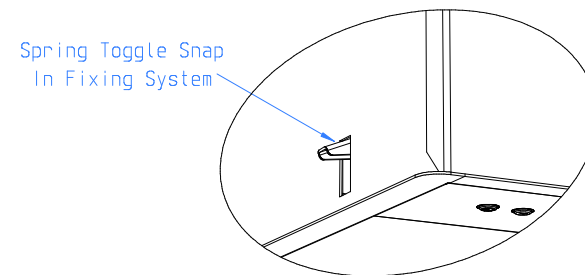
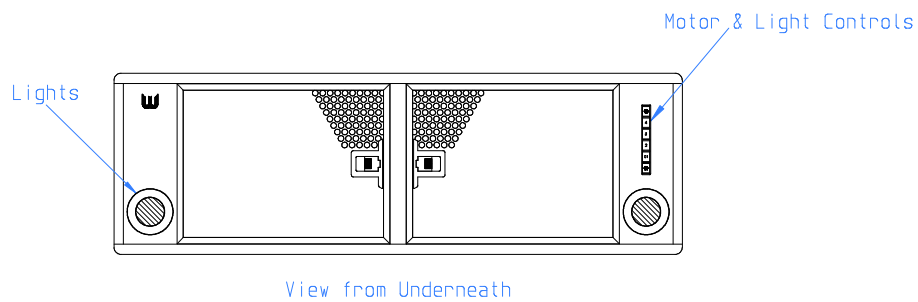
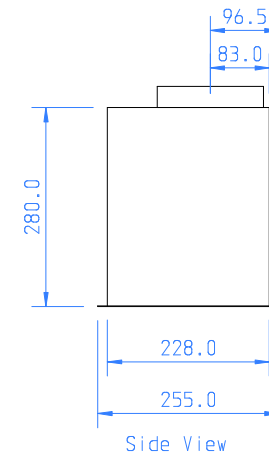
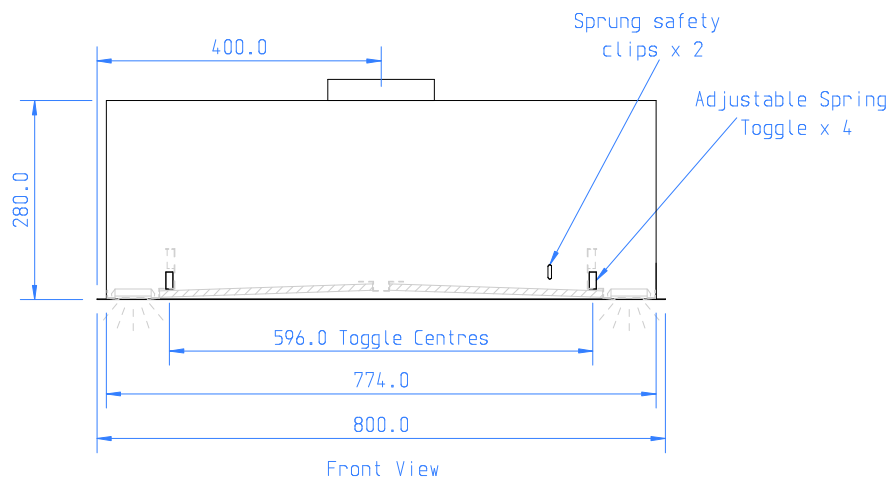
Duct: 1 x 150mm  $\varnothing$  Top Outlet

Soffit Opening - 780mm x 232mm

Soffit Thickness - 15mm Minimum upto 22mm Maximum

The extractor is fixed in place by 4 adjustable spring toggles.

Supplementary support of the unit is provided by 2 x sprung safety clips at opposite corners of the unit.



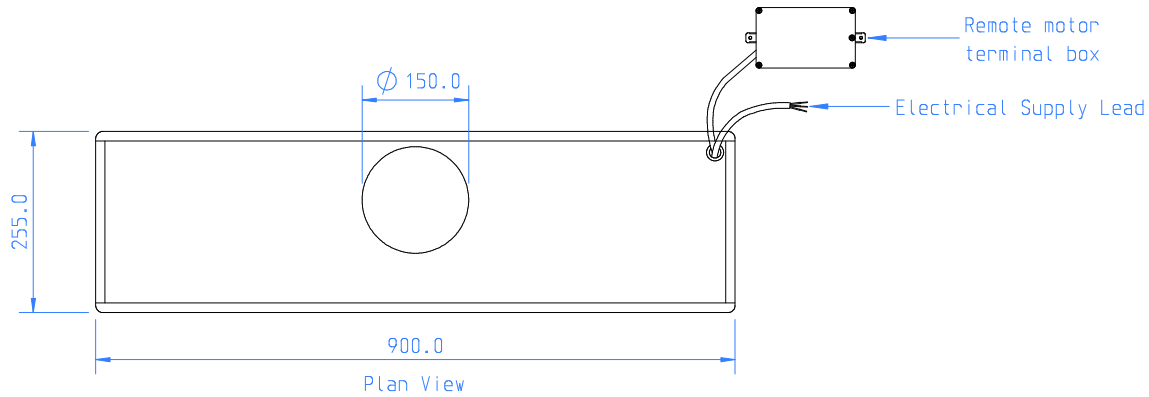
Client: Westin  
 Drawn by: Daniel Bradley  
 Title: WSW - PRIME SLIM 800 - EM - SS GA V1 20220331

Ref: WSW - PRIME SLIM 800 - EM - SS

Approved by:

Date:

Scale: 1:10 A4  
 Units: mm  
 Date: 31-03-22



Motor: 1 x SEM Remote Motor - Separate Item

Lighting: Tunable White LED

Motor & Light Controls: Tactile Pushbutton (Remote Control Compatible)

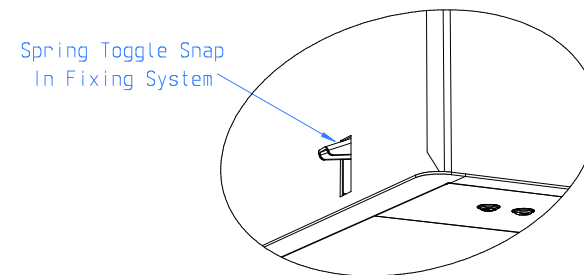
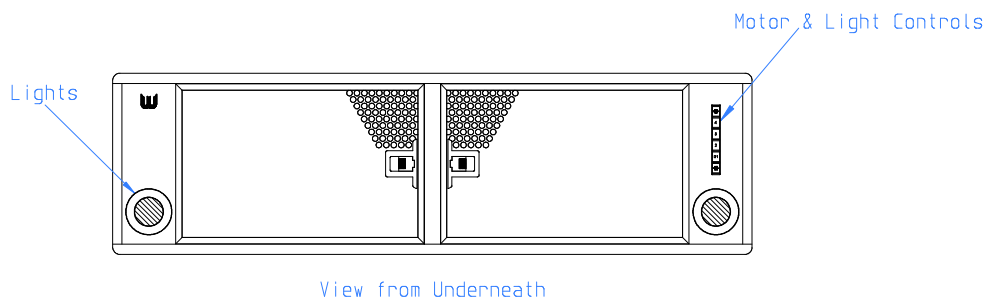
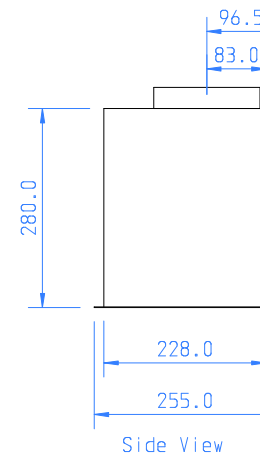
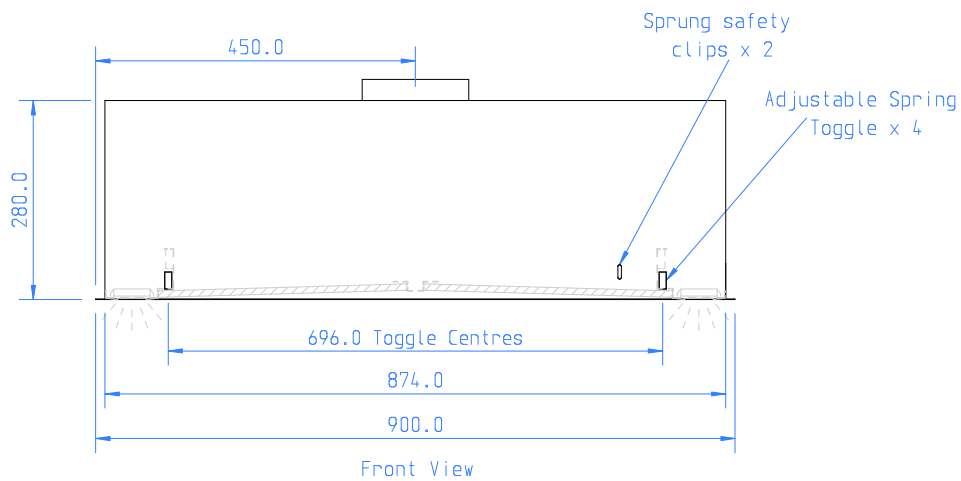
Duct: 1 x 150mm  $\phi$  Top Outlet

Soffit Opening - 880mm x 232mm

Soffit Thickness - 15mm Minimum upto 22mm Maximum

The extractor is fixed in place by 4 adjustable spring toggles.

Supplementary support of the unit is provided by 2 x sprung safety clips at opposite corners of the unit.



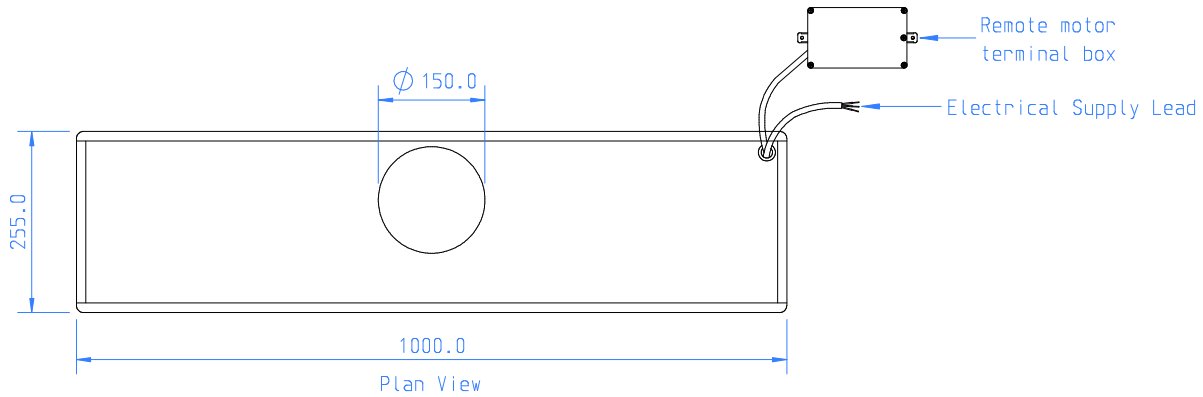
Client: Westin  
 Drawn by: Daniel Bradley  
 Title: WSW - PRIME SLIM 900 - EM - SS GA V1 20220331

Ref: WSW - PRIME SLIM 900 - EM - SS

Approved by:

Date:

Scale: 1:10 A4  
 Units: mm  
 Date: 31-03-22



Motor: 1 x SEM Remote Motor - Separate Item

Lighting: Tunable White LED

Motor & Light Controls: Tactile Pushbutton (Remote Control Compatible)

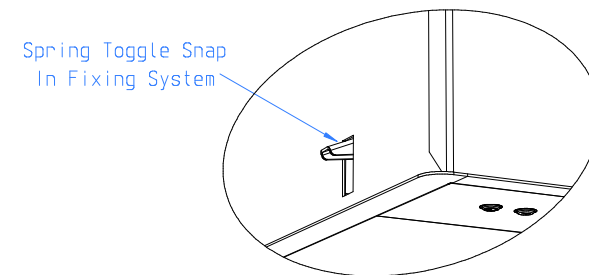
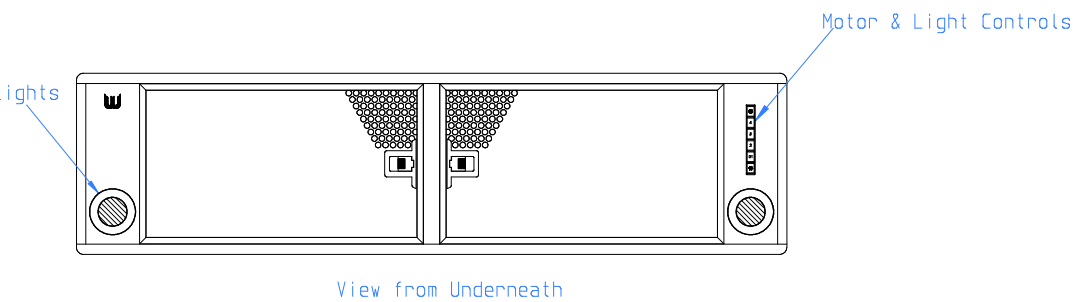
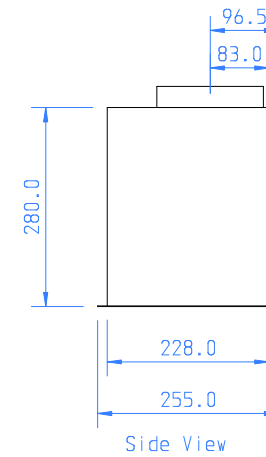
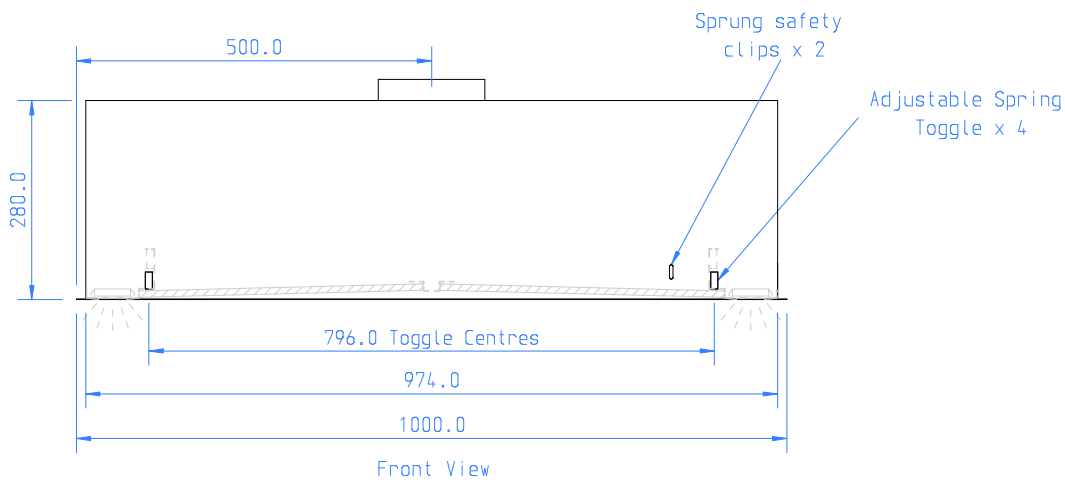
Duct: 1 x 150mm  $\phi$  Top Outlet

Soffit Opening - 980mm x 232mm

Soffit Thickness - 15mm Minimum upto 22mm Maximum

The extractor is fixed in place by 4 adjustable spring toggles.

Supplementary support of the unit is provided by 2 x sprung safety clips at opposite corners of the unit.



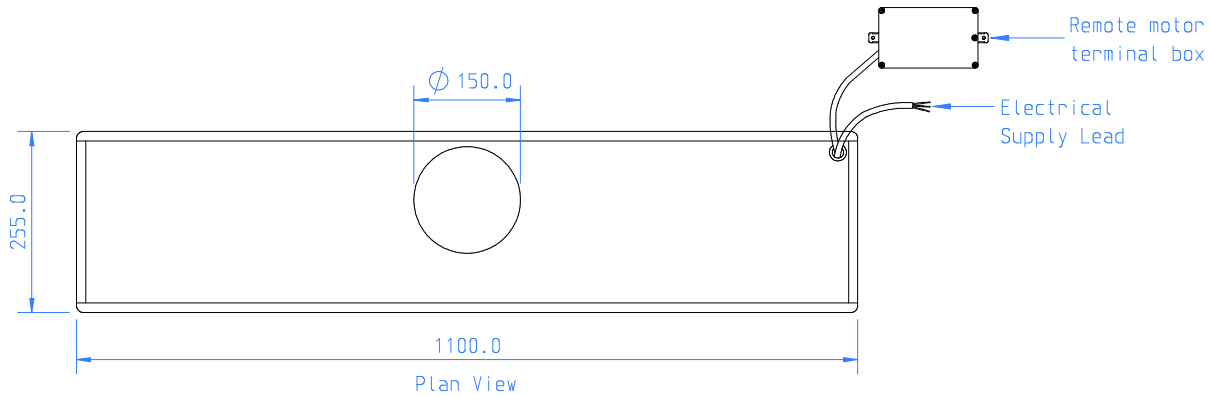
Client: Westin  
 Drawn by: Daniel Bradley  
 Title: WSW - PRIME SLIM 1000 - EM - SS GA V1 20220331

Ref: WSW - PRIME SLIM 1000 - EM - SS

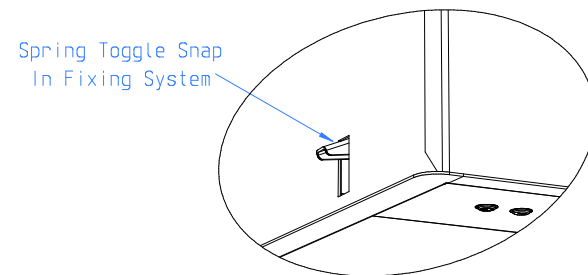
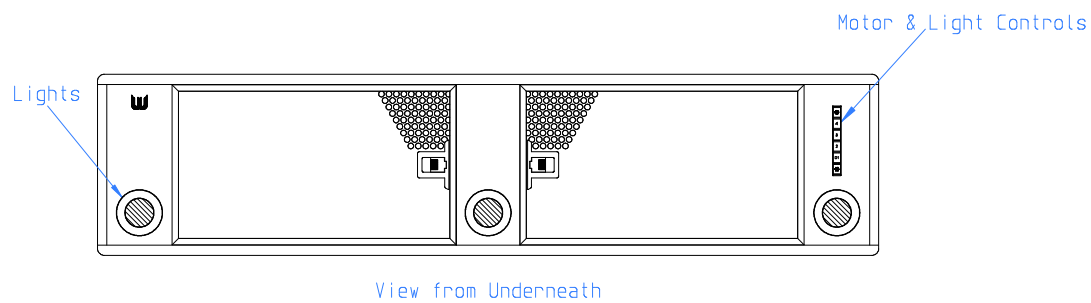
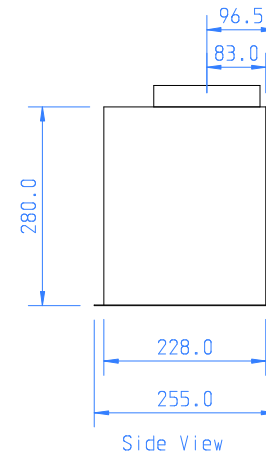
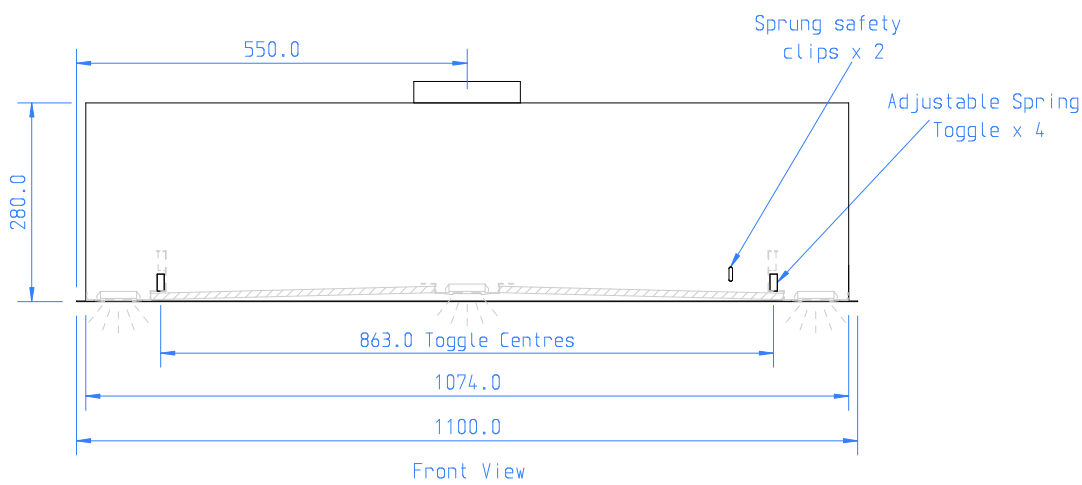
Approved by:

Date:

Scale: 1:10 A4  
 Units: mm  
 Date: 31-03-22



Motor: 1 x SEM Remote Motor - Separate Item  
 Lighting: Tunable White LED  
 Motor & Light Controls: Tactile Pushbutton (Remote Control Compatible)  
 Duct: 1 x 150mm  $\phi$  Top Outlet  
 Soffit Opening - 1080mm x 232mm  
 Soffit Thickness - 15mm Minimum upto 22mm Maximum  
 The extractor is fixed in place by 4 adjustable spring toggles.



Client: Westin  
 Drawn by: Daniel Bradley  
 Title: WSW - PRIME SLIM 1100 - EM - SS GA V1 20220331

Ref: WSW - PRIME SLIM 1100 - EM - SS

Approved by:

Date:

Scale: 1:10 A4  
 Units: mm  
 Date: 31-03-22