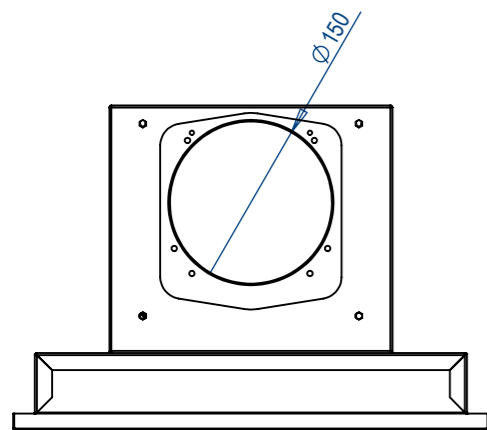
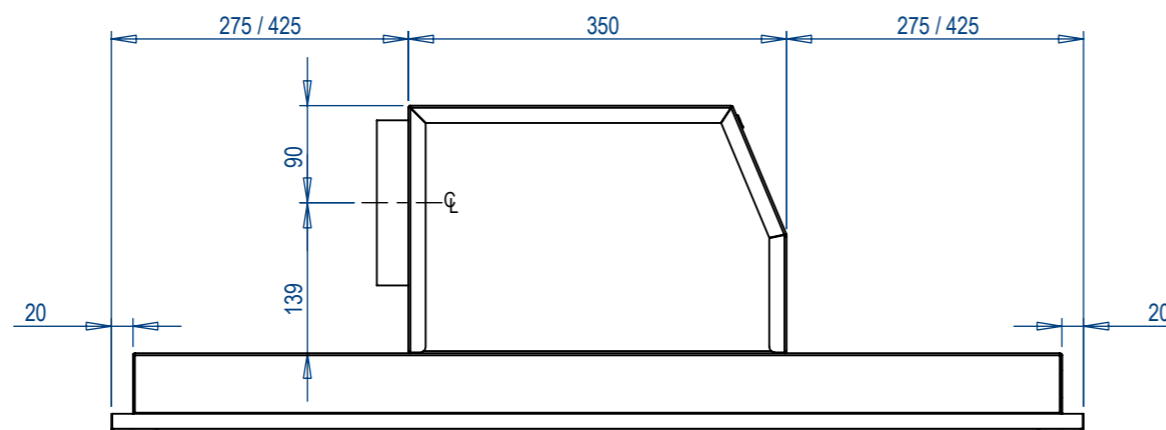


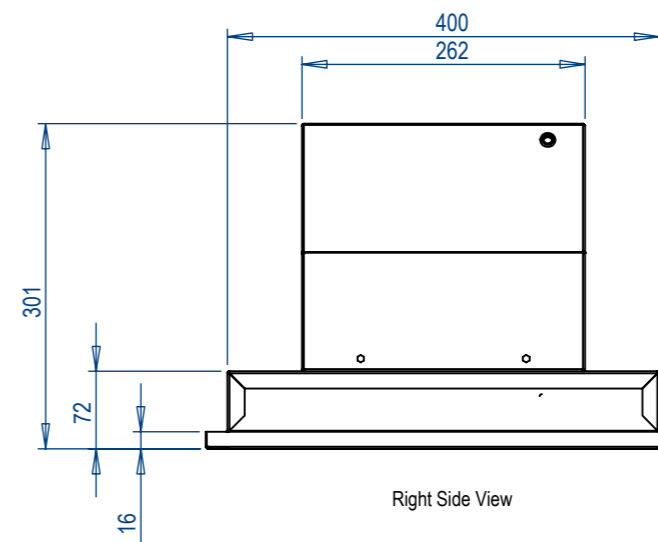
Plan View



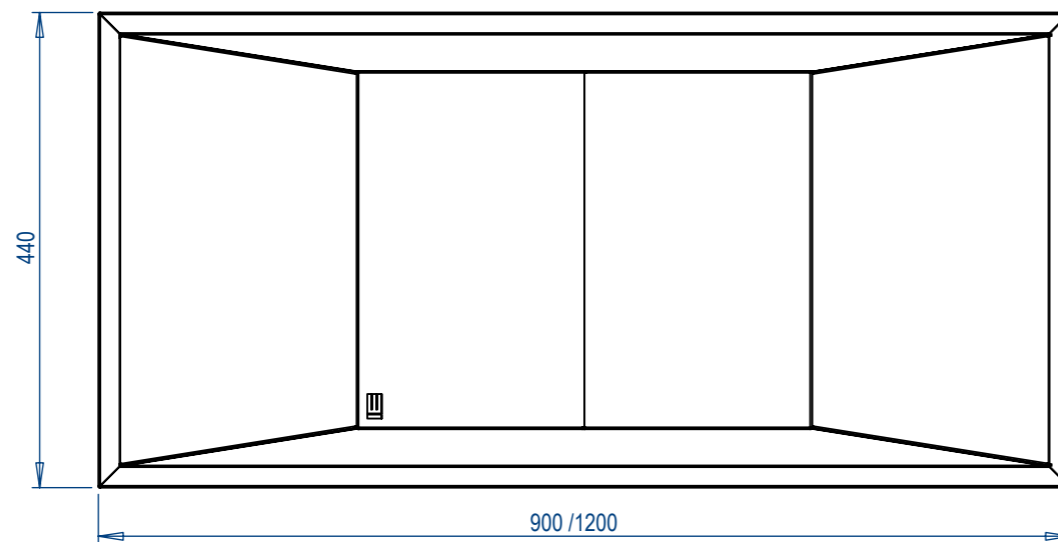
Left Side View



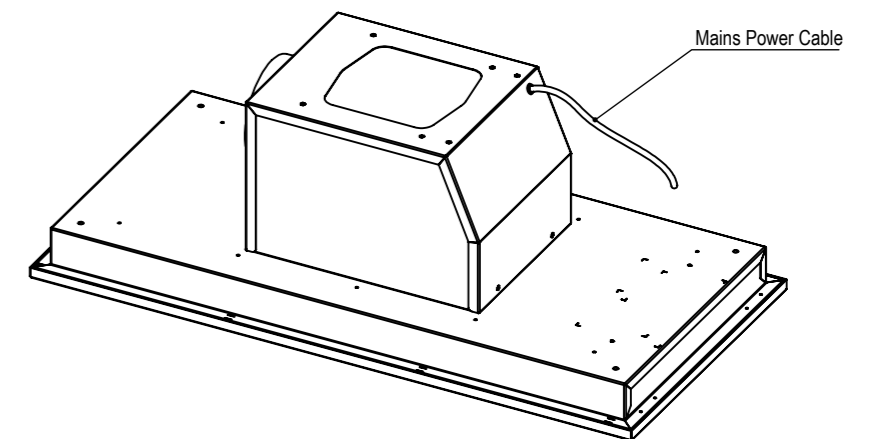
Front View



Right Side View



View from Underneath



Motor	1x Internal Motor
Motor Control	Radio Remote Control
Duct	1 x 150mm \varnothing Duct
Duct Position	Left, Right, Front, Rear
Cutout Opening (900mm Wide)	870mm x 410mm
Cutout Opening (1200mm Wide)	1170mm x 410mm
Colour Availability	White, Stainless Steel

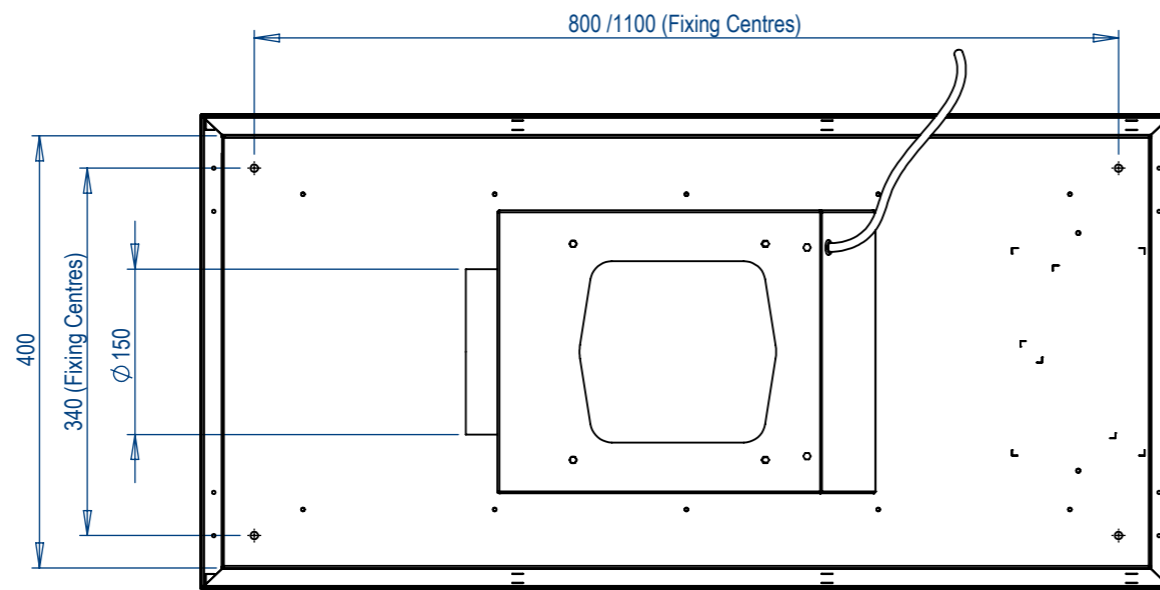


CLIENT. WS WESTIN LTD
 DRAWN BY. M.BARNES
 TITLE. WSW - STRATUS EDGE 900 - 1200 (no lights) ~ GA V1 20200701

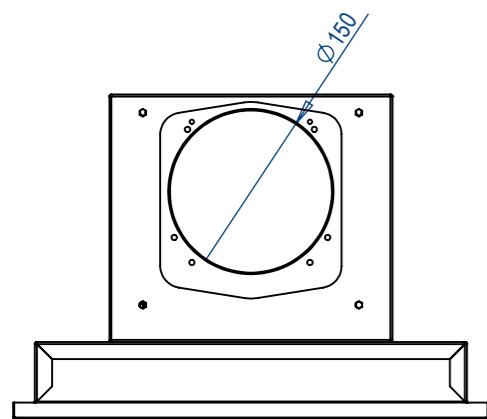
REFERENCE. PRODUCTION
 APPROVED BY. MPB
 DATE APPROVED. 07/12/20

DO NOT SCALE DRAWING
 ALL DIMENSIONS ARE IN MILLIMETERS
 DRAWING MUST NOT BE RE-CIRCULATED WITHOUT THE PERMISSION OF WS WESTIN LTD

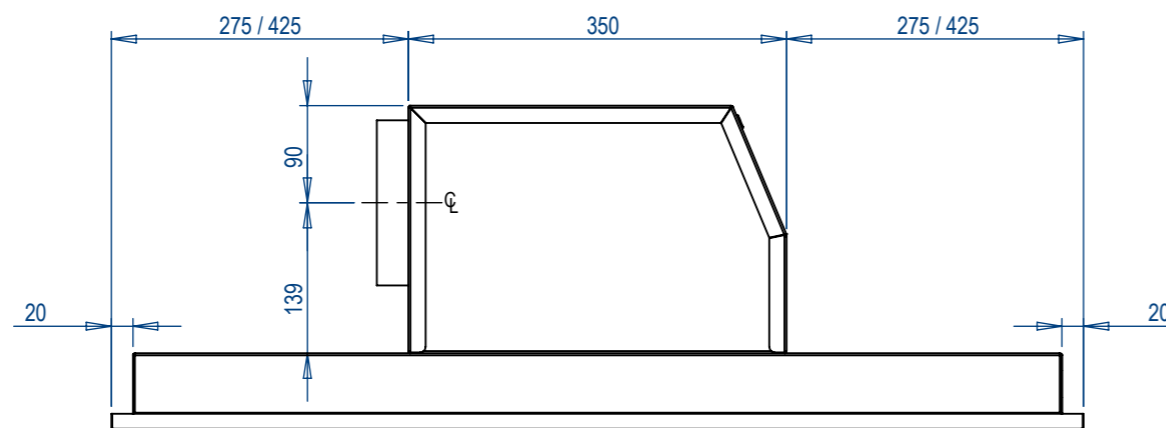
SCALE. DNS
 DWG NO.
 DATE. 07/12/2020
 A3/A4



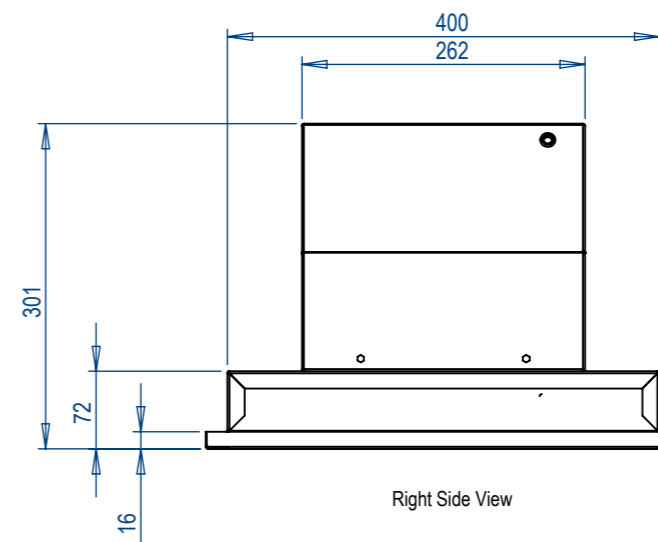
Plan View



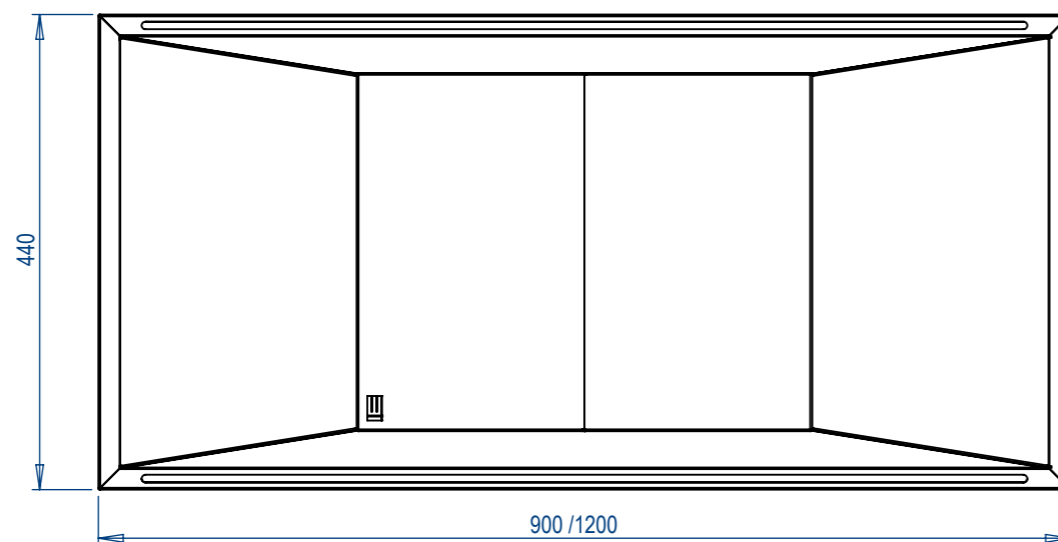
Left Side View



Front View



Right Side View



View from Underneath

Motor	1x Internal Motor
Lighting	2 x Variable Warmth (2700k - 6000k Dimmable LED Strip Lights)
Motor & Light Control	Radio Remote Control
Duct	1 x 150mm ϕ Duct
Duct Position	Left, Right, Front, Rear
Cutout Opening (900mm Wide)	870mm x 410mm
Cutout Opening (1200mm Wide)	1170mm x 410mm
Colour Availability	White, Stainless Steel

