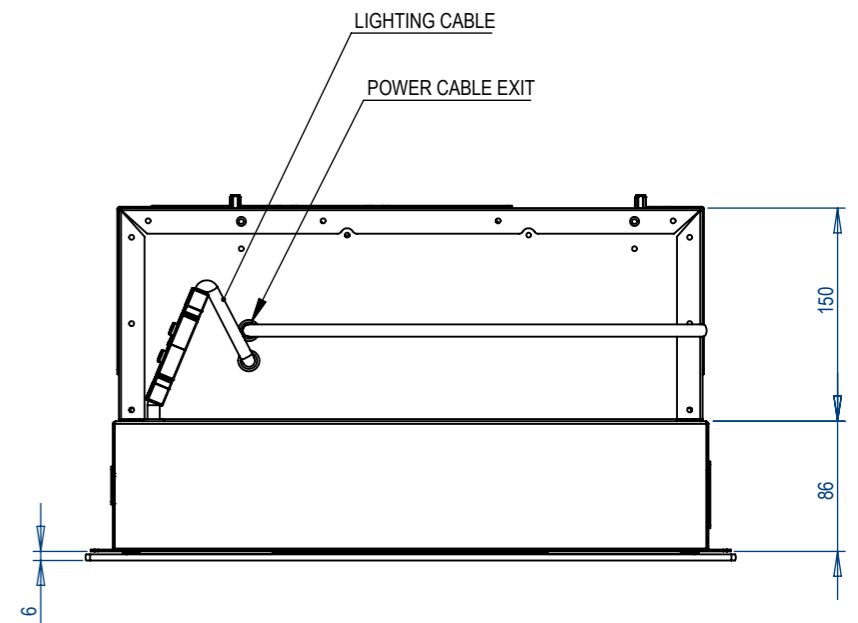
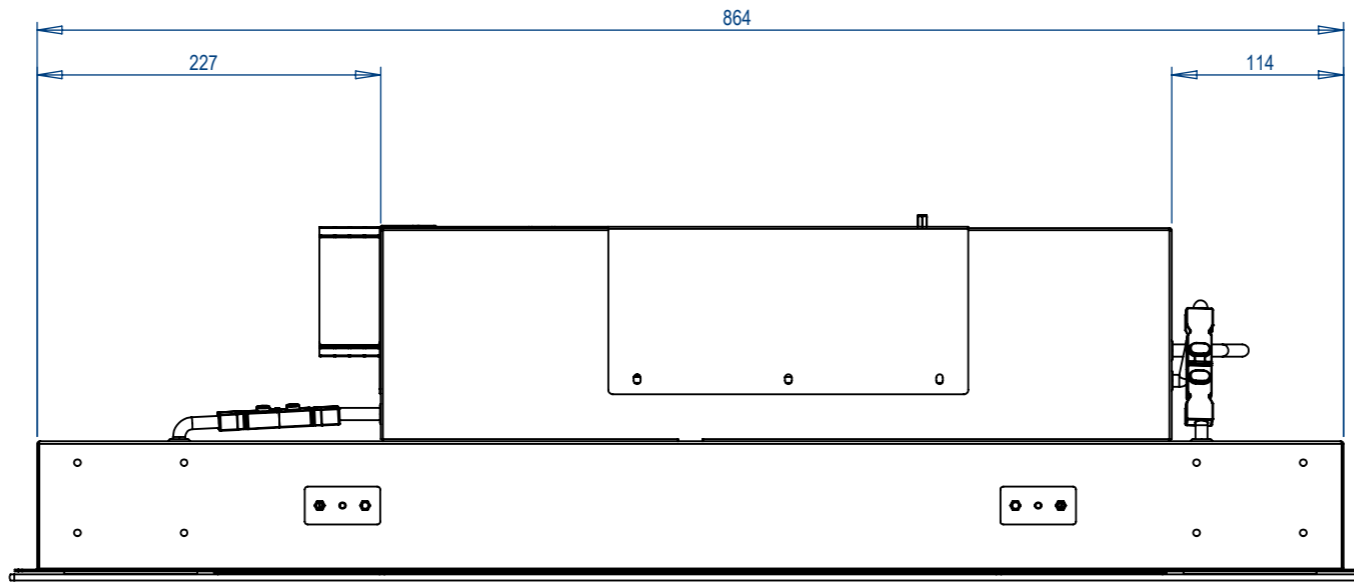
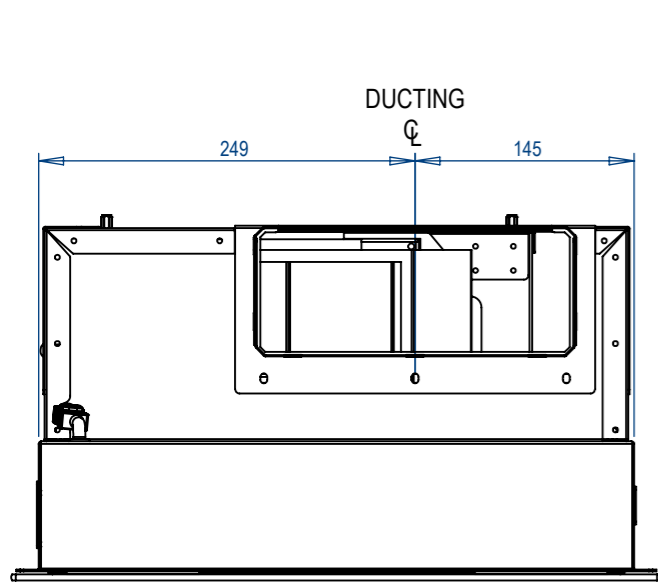
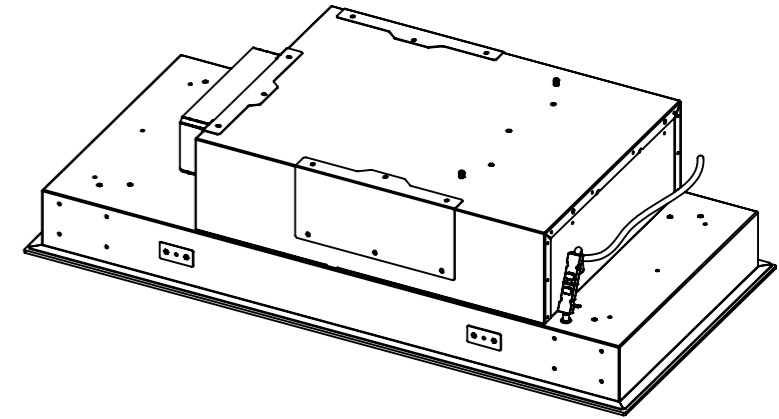
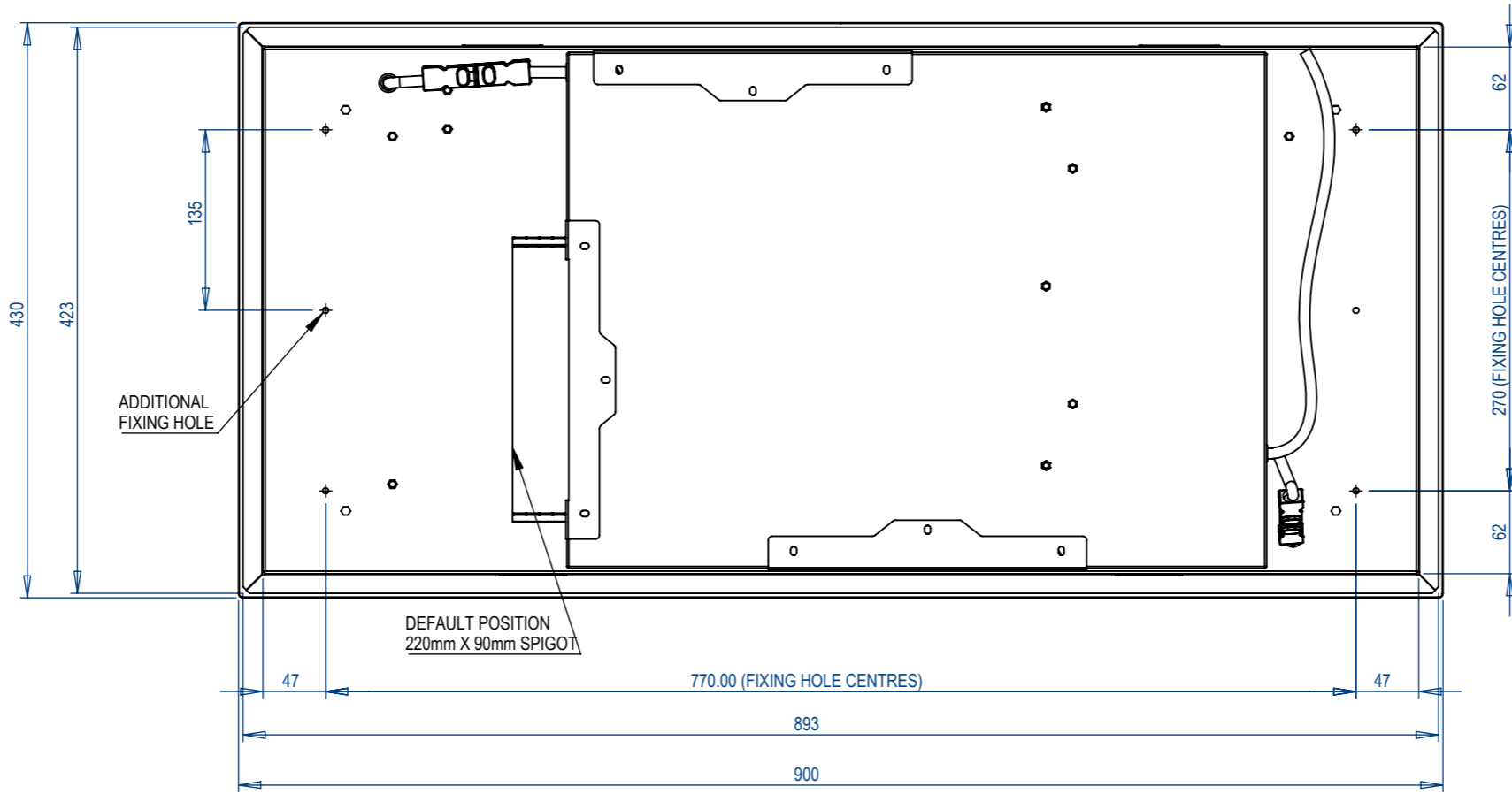


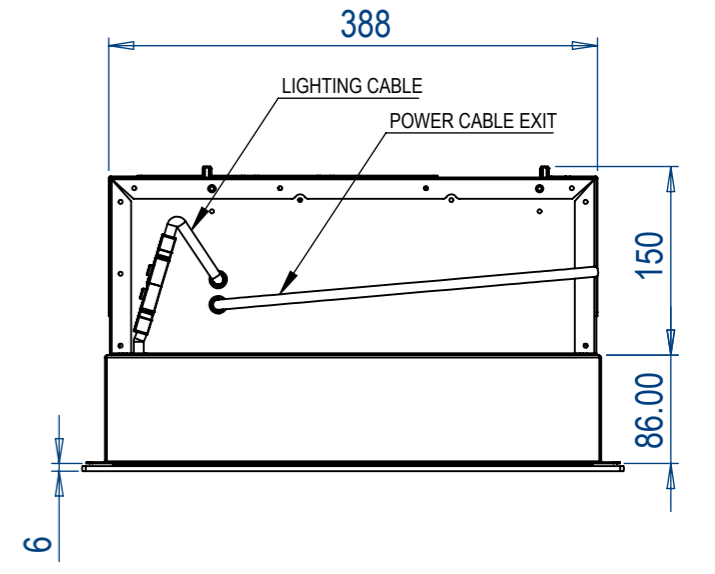
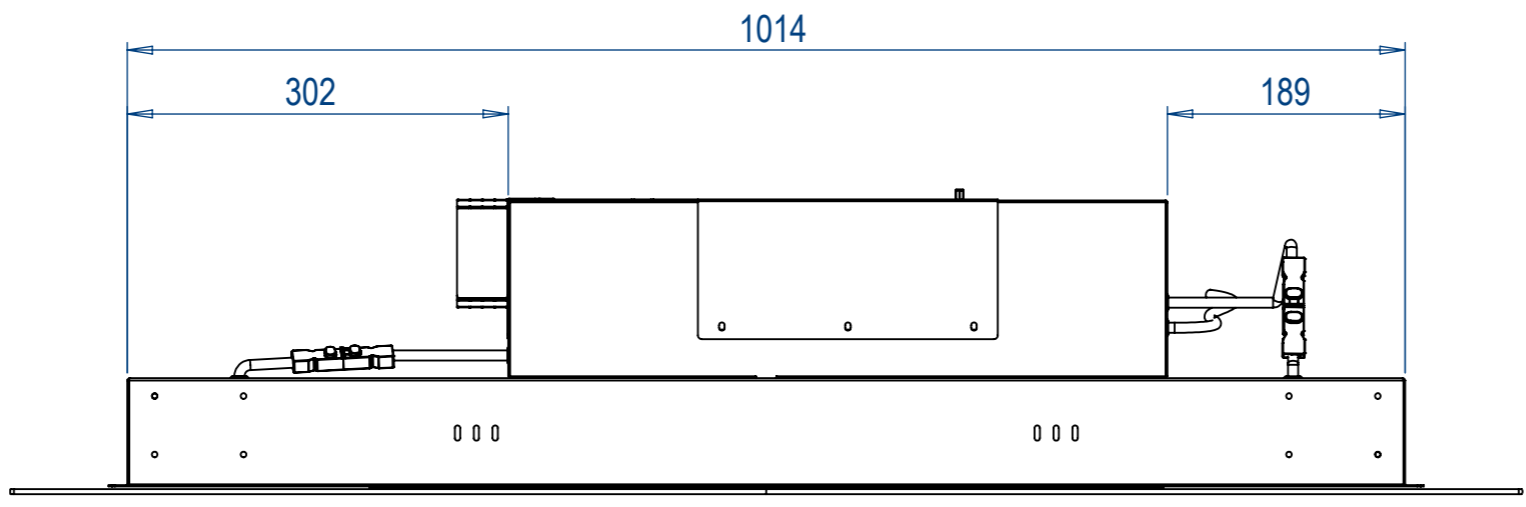
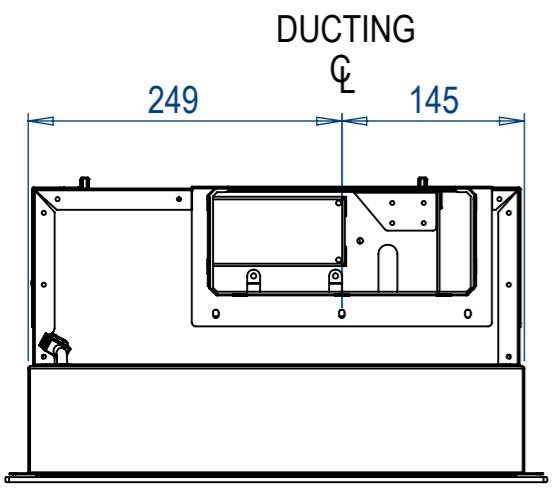
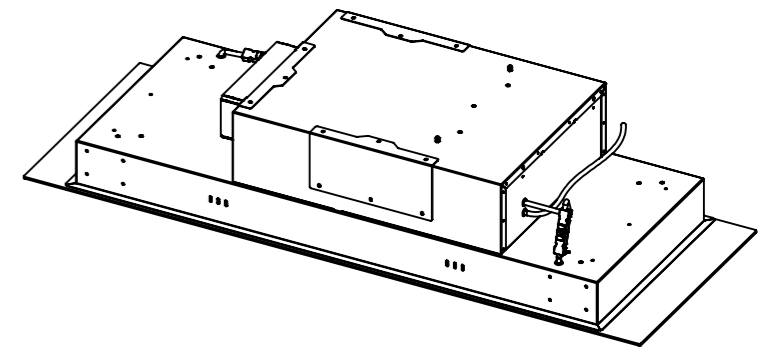
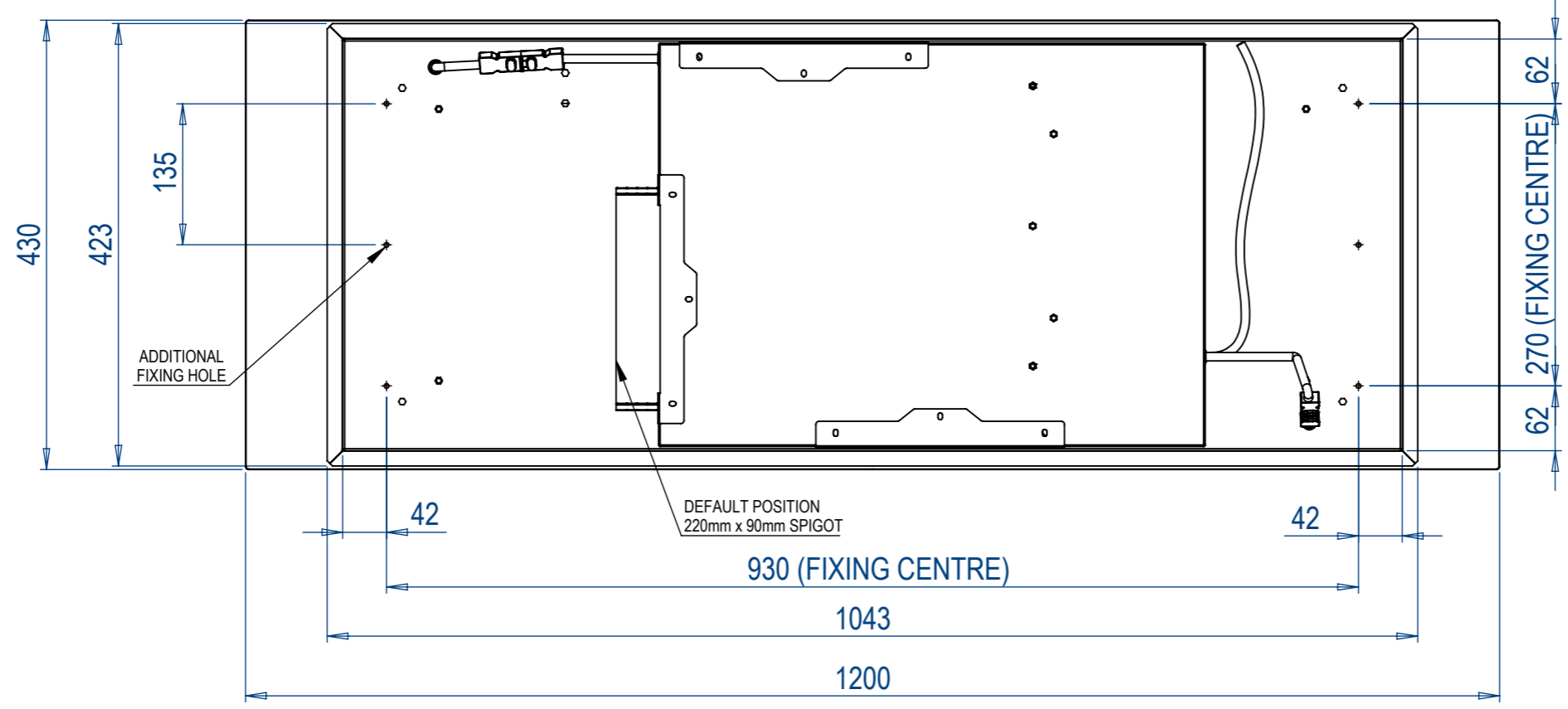
Motor	1 x Internal Motor
Lighting	4 x Dimmable LED Spot lights
Motor & Light Control	Radio Remote Control
Duct	1 x 220mm x 90mm Duct
Duct Position	Left, Right, Front or Rear (Please Specify when Ordering)
Soffit Opening (Cutout)	868mm x 405mm
Soffit Thickness	Minimum 15mm up to Maximum 22mm
Extractor Fixings	Extractor is fixed in place by 4 x fixing holes positioned behind the lights. An additional fixing hole is located behind each lighting panel if required.

REVISIONS				
ZONE	REV.	DESCRIPTION	DATE	APPROVED
	A	INITIAL RELEASE	08/10/2020	



Motor	1 x Internal Motor
Lighting	4 x Dimmable LED Spot lights
Motor & Light Control	Radio Remote Control
Duct	1 x 220mm x 90mm Duct
Duct Position	Left, Right, Front or Rear (Please Specify when Ordering)
Soffit Opening (Cutout)	1018mm x 405mm
Soffit Thickness	Minimum 15mm up to Maximum 22mm
Extractor Fixings	Extractor is fixed in place by 4 x fixing holes positioned behind the lights. An additional fixing hole is located behind each lighting panel if required.

REVISIONS				
ZONE	REV.	DESCRIPTION	DATE	APPROVED
	A	INITIAL RELEASE	09/10/2020	MPB



CLIENT. WS WESTIN LTD
 DRAWN BY. M.BARNES
 TITLE. WSW Mono 1200 GA V1 20201008

REFERENCE. REFERENCE
 APPROVED BY. MPB
 DATE APPROVED. DD/MM/YY

DO NOT SCALE DRAWING
 ALL DIMENSIONS ARE IN MILLIMETERS
 DRAWING MUST NOT BE RE-CIRCULATED WITHOUT THE PERMISSION OF WS WESTIN LTD

SCALE. DNS
 DWG NO.
 DATE. 09/10/2020
 A3/A4