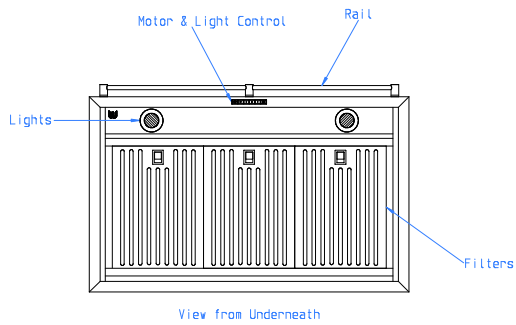
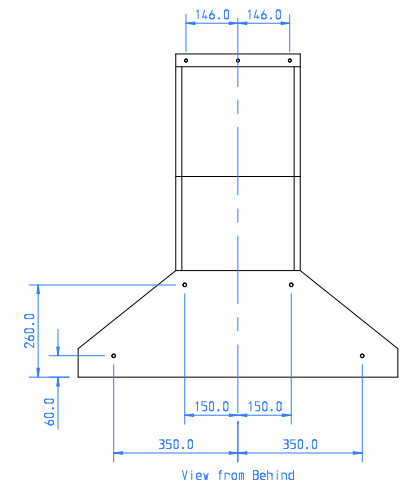
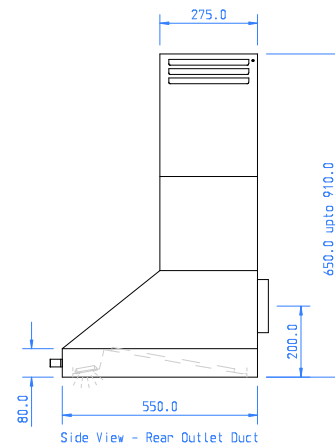
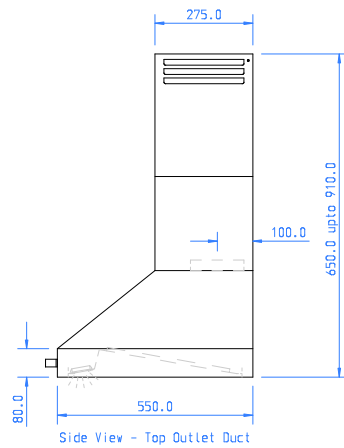
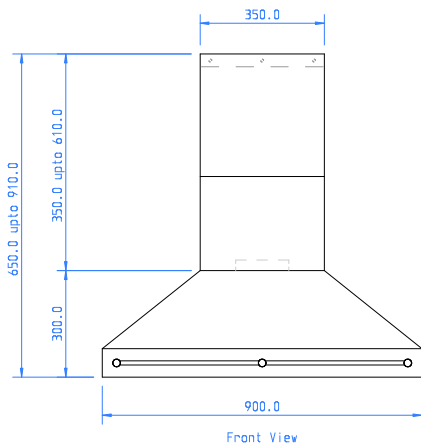
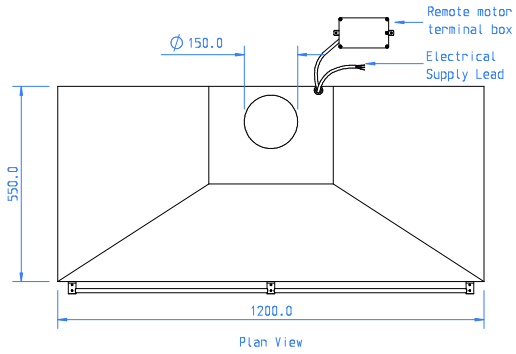


Motor: 1 x SEM Remote Motor - Separate Item  
 Lighting: Tunable White LED  
 Motor & Light Controls: Tactile Pushbutton  
 Duct: 1 x 150mm  $\varnothing$  Top or Rear Outlet  
 Extractor will be shipped with TOP outlet, this can be adjusted to rear outlet on site.  
 Fixing holes are provided in the back of the extractor



|  |  |                         |              |       |                |
|--|--|-------------------------|--------------|-------|----------------|
|  | Client: Westin                                     | Ref: Traditional 900 EM | Approved by: | Date: | Scale: 1:20 A4 |
|  | Drawn by: Daniel Bradley                           |                         |              |       | Units: mm      |
|  | Title: WSW - TRADITIONAL 900 - EM ~ GA V1 20220420 |                         |              |       | Date: 20-04-22 |



Motor: 1 x SEM Remote Motor - Separate Item

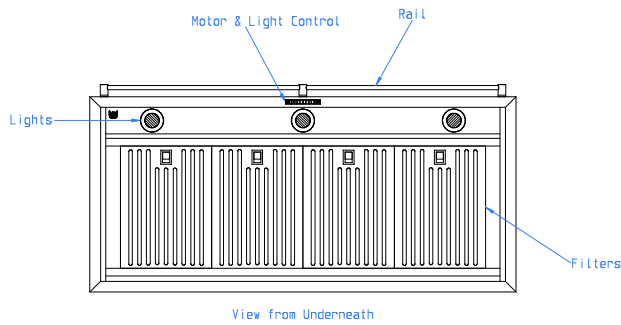
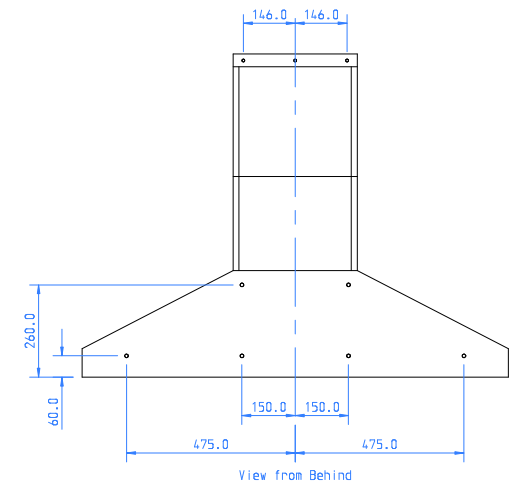
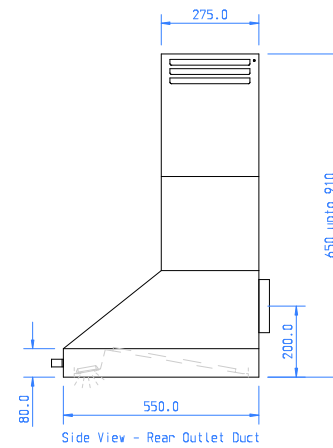
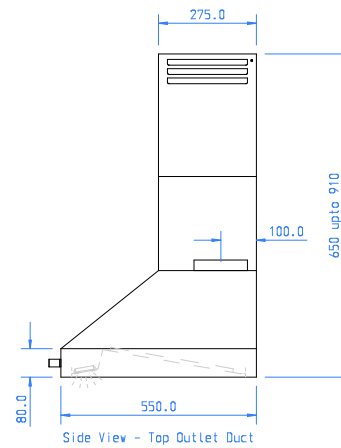
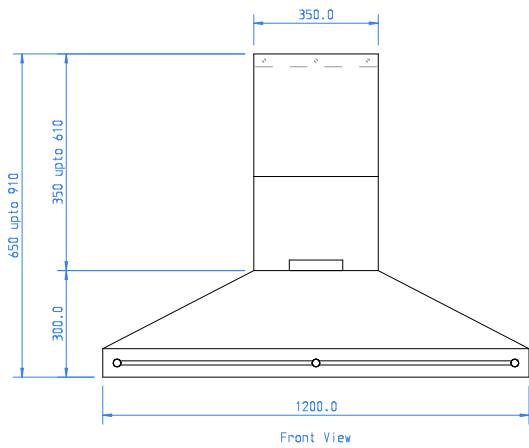
Lighting: Tunable White LED

Motor & Light Controls: Tactile Pushbutton

Duct: 1 x 150mm  $\varnothing$  Top or Rear Outlet

Extractor will be shipped with TOP outlet, this can be adjusted to rear outlet on site.

Fixing holes are provided in the back of the extractor



Client: Westin  
 Drawn by: Daniel Bradley  
 Title: WSW - TRADITIONAL 1200 - EM ~ GA V1 20220420

Ref: Traditional 1200 EM

Approved by:

Date:

Scale: 1:20 A4  
 Units: mm  
 Date: 20-04-22