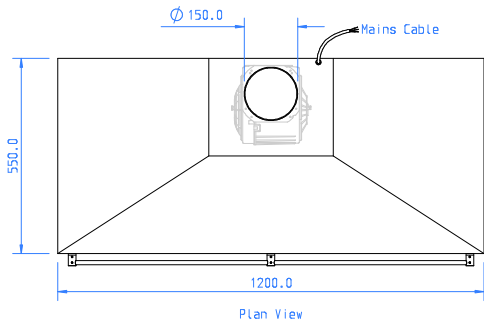
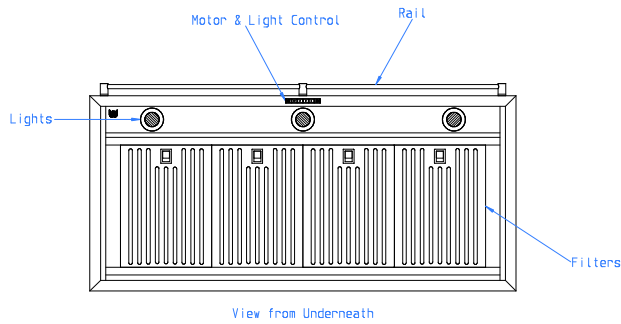
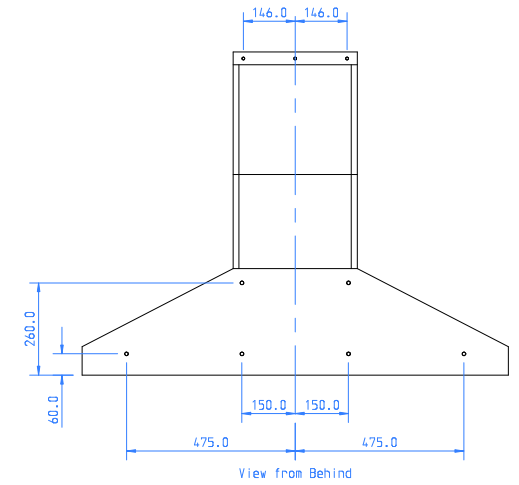
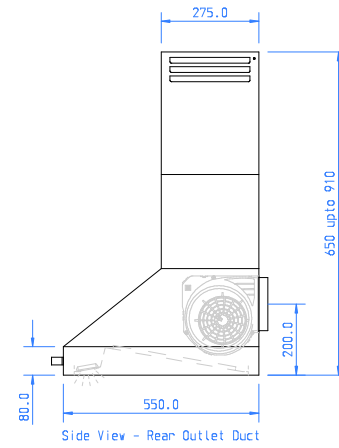
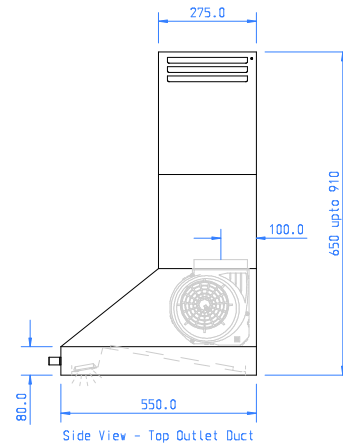
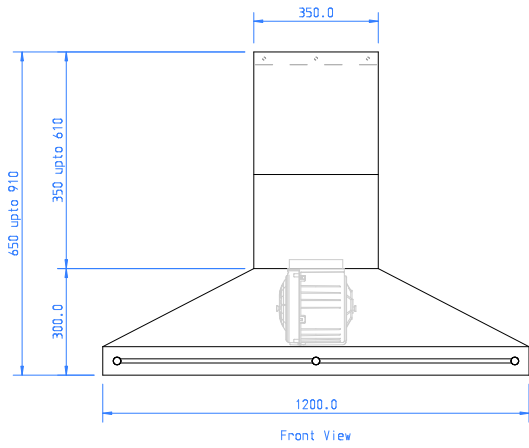


Motor: 1 x Internal Motor
 Lighting: Tunable White LED
 Motor & Light Controls: Tactile Pushbutton
 Duct: 1 x 150mm \varnothing Top or Rear Outlet
 Extractor will be shipped with TOP outlet, this can be adjusted to rear outlet on site.
 Fixing holes are provided in the back of the extractor

	Client: Westin	Ref: Traditional 900	Approved by:	Date:	Scale: 1:20 A4
	Drawn by: Daniel Bradley				Units: mm
	Title: WSW - TRADITIONAL 900 ~ GA V1 20220420				Date: 20-04-22



Motor: 1 x Internal Motor
 Lighting: Tunable White LED
 Motor & Light Controls: Tactile Pushbutton
 Duct: 1 x 150mm \varnothing Top or Rear Outlet
 Extractor will be shipped with TOP outlet, this can be adjusted to rear outlet on site.
 Fixing holes are provided in the back of the extractor



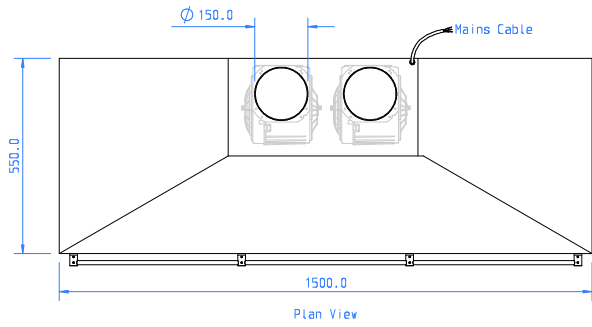
Client: Westin
 Drawn by: Daniel Bradley
 Title: WSW - TRADITIONAL 1200 ~ GA V1 20220420

Ref: Traditional 1200

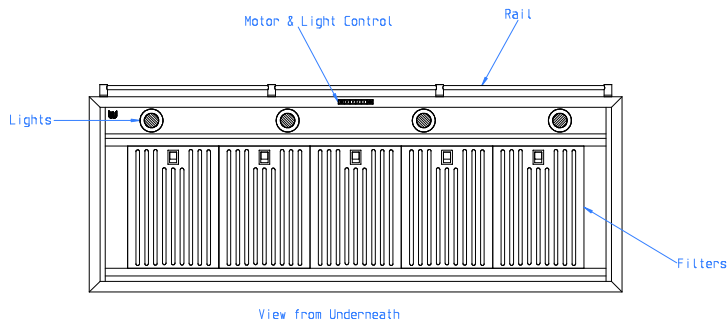
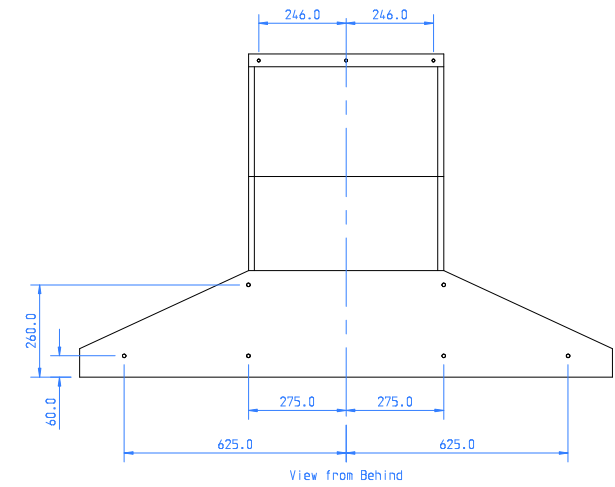
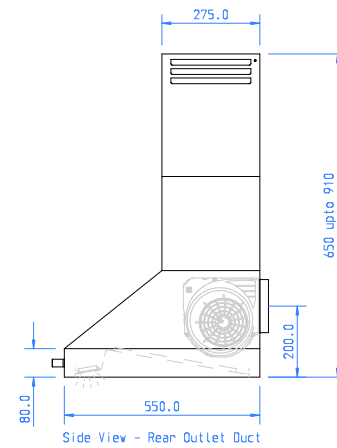
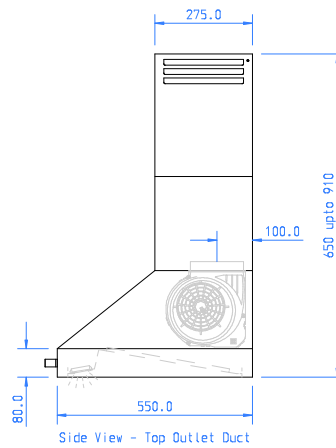
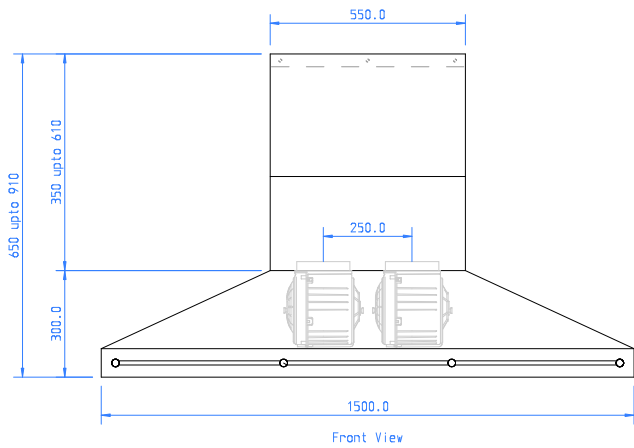
Approved by:

Date:

Scale: 1:20 A4
 Units: mm
 Date: 20-04-22



Motor: 1 x Internal Motor
 Lighting: Tunable White LED
 Motor & Light Controls: Tactile Pushbutton
 Duct: 1 x 150mm \varnothing Top or Rear Outlet
 Extractor will be shipped with TOP outlet, this can be adjusted to rear outlet on site.
 Fixing holes are provided in the back of the extractor



Client: Westin
 Drawn by: Daniel Bradley
 Title: WSW - TRADITIONAL 1500 ~ GA V1 20220420

Ref: Traditional 1500

Approved by:

Date:

Scale: 1:20 A4
 Units: mm
 Date: 20-04-22