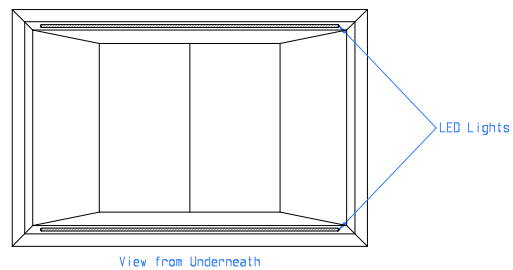
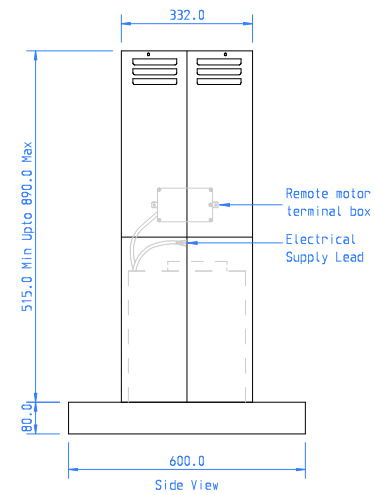
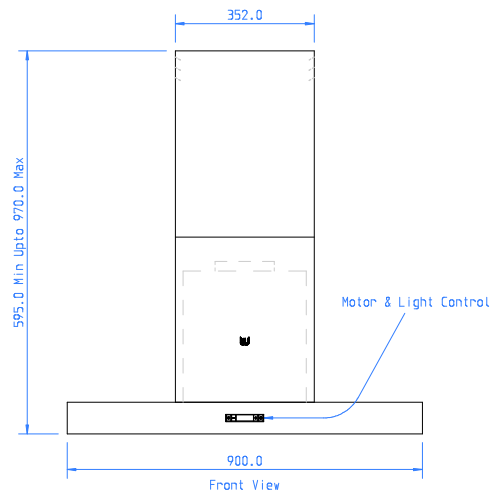


Motor: 1 x SEM Remote Motor - Separate Item
 Lighting: Tunable White LED
 Motor & Light Controls: Pushbutton with LCD Display & Remote Control
 Duct: 1 x 150mm \varnothing Top Outlet



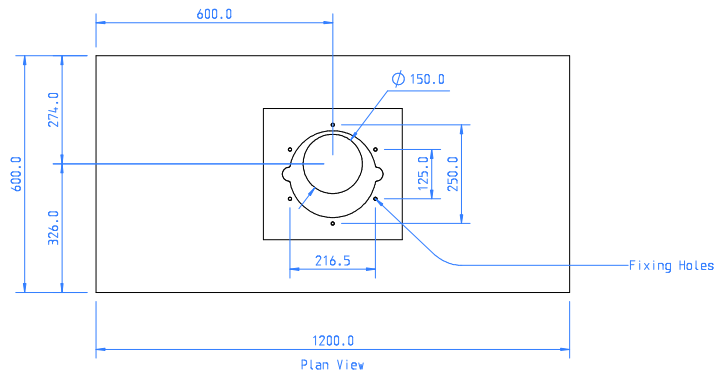
Client: Westin
 Drawn by: Daniel Bradley
 Title: WSW - VECTOR EDGE 900 - EM - SS GA V1 20210511

Ref: WSW - VECTOR EDGE 900 - EM - SS

Approved by:

Date:

Scale: 1:18 A4
 Units: mm
 Date: 11-05-21

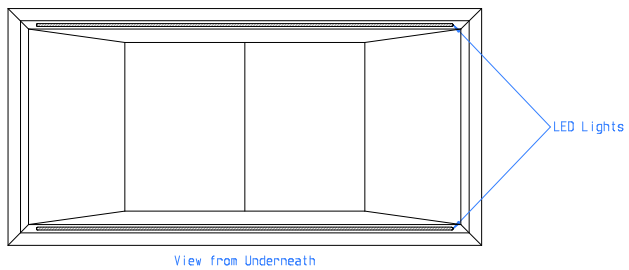
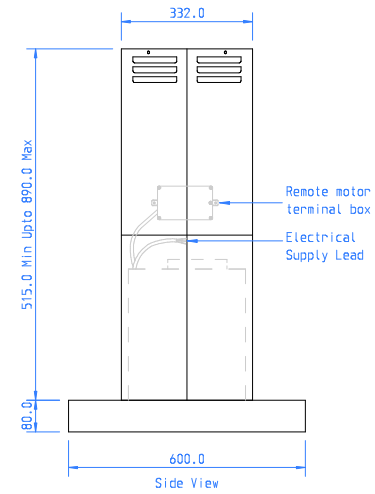
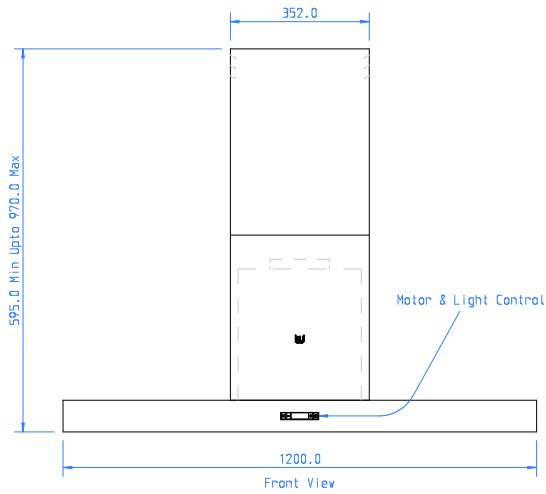


Motor: 1 x SEM Remote Motor - Separate Item

Lighting: Tunable White LED

Motor & Light Controls: Pushbutton with LCD Display & Remote Control

Duct: 1 x 150mm \varnothing Top Outlet



Client: Westin
 Drawn by: Daniel Bradley
 Title: WSW - VECTOR EDGE 1200 - EM - SS GA V1 20210511

Ref: WSW - VECTOR EDGE 1200 - EM - SS

Approved by:

Date:

Scale: 1:18 A4
 Units: mm
 Date: 11-05-21