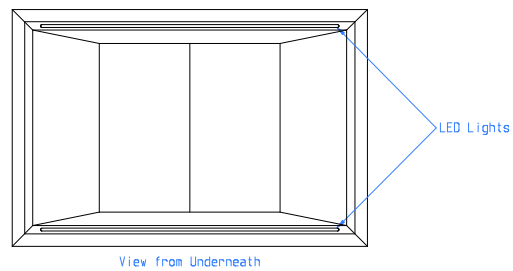
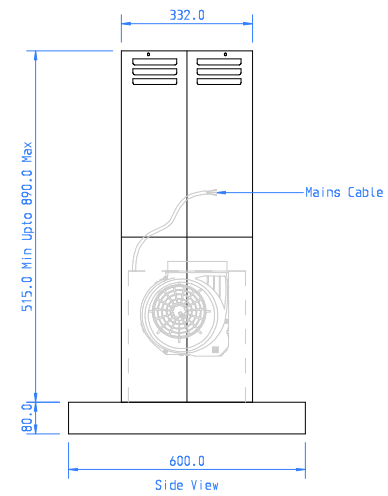
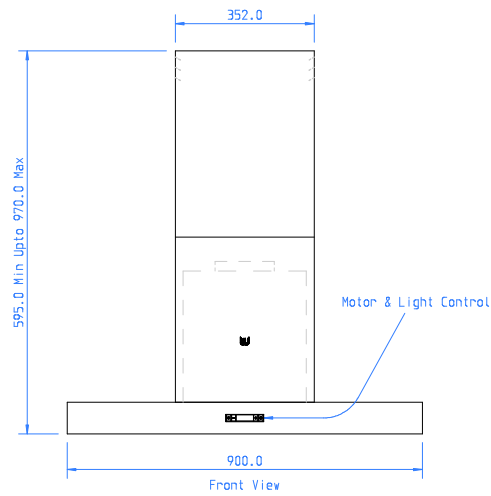


Motor: 1 x Internal Motor
 Lighting: Tunable White LED
 Motor & Light Controls: Pushbutton with LCD Display & Remote Control
 Duct: 1 x 150mm \varnothing Top Outlet



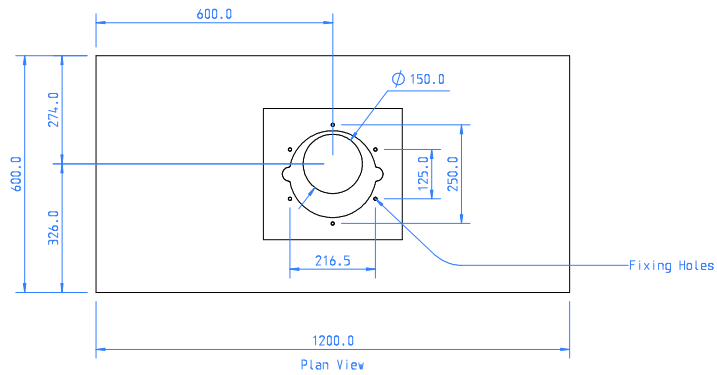
Client: Westin
 Drawn by: Daniel Bradley
 Title: WSW - VECTOR EDGE 900 - SS GA V1 20210511

Ref: WSW - VECTOR EDGE 900 - SS

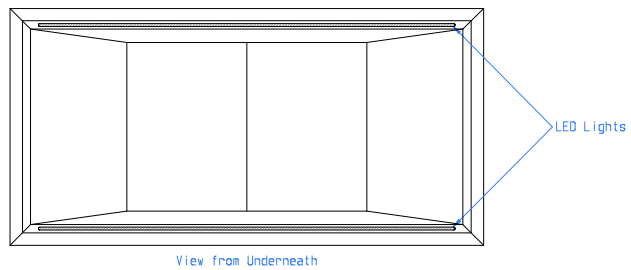
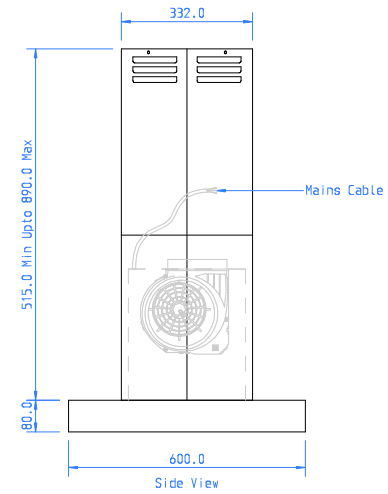
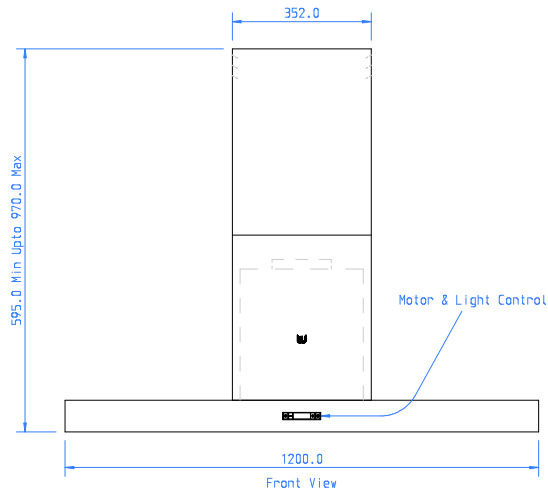
Approved by:

Date:

Scale: 1:18 A4
 Units: mm
 Date: 11-05-21



Motor: 1 x Internal Motor
 Lighting: Tunable White LED
 Motor & Light Controls: Pushbutton with LCD Display & Remote Control
 Duct: 1 x 150mm \varnothing Top Outlet



Client: Westin
 Drawn by: Daniel Bradley
 Title: WSW - VECTOR EDGE 1200 - SS GA V1 20210511

Ref: WSW - VECTOR EDGE 1200 - SS

Approved by:

Date:

Scale: 1:18 A4
 Units: mm
 Date: 11-05-21