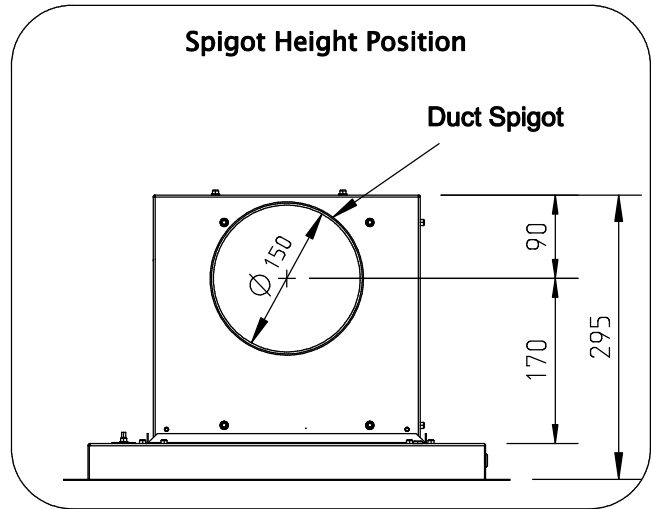
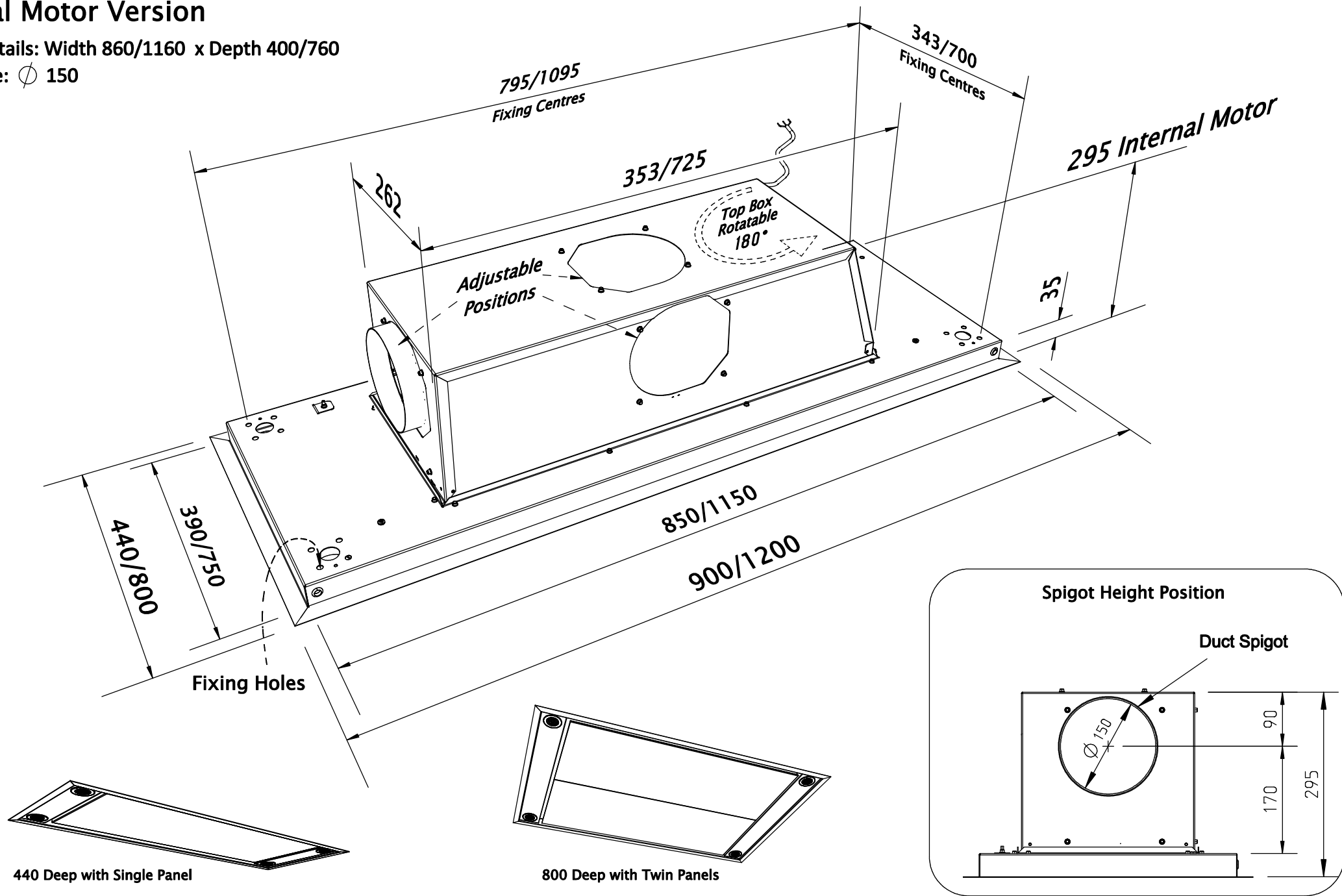


STRATUS FLUSH 3D General Arrangement Drawing

Internal Motor Version

Cutout Details: Width 860/1160 x Depth 400/760

Spigot Size: \varnothing 150



440 Deep with Single Panel

800 Deep with Twin Panels



Client: Westin
 Drawn by: Mike Sharpe
 Title: WSW - STRATUS FLUSH - 3D GA (Internal Motor) V1 20160516

Approved by: _____
 Date: _____

Scale: 1:10 A4
 Units: mm
 Date: 25-05-16