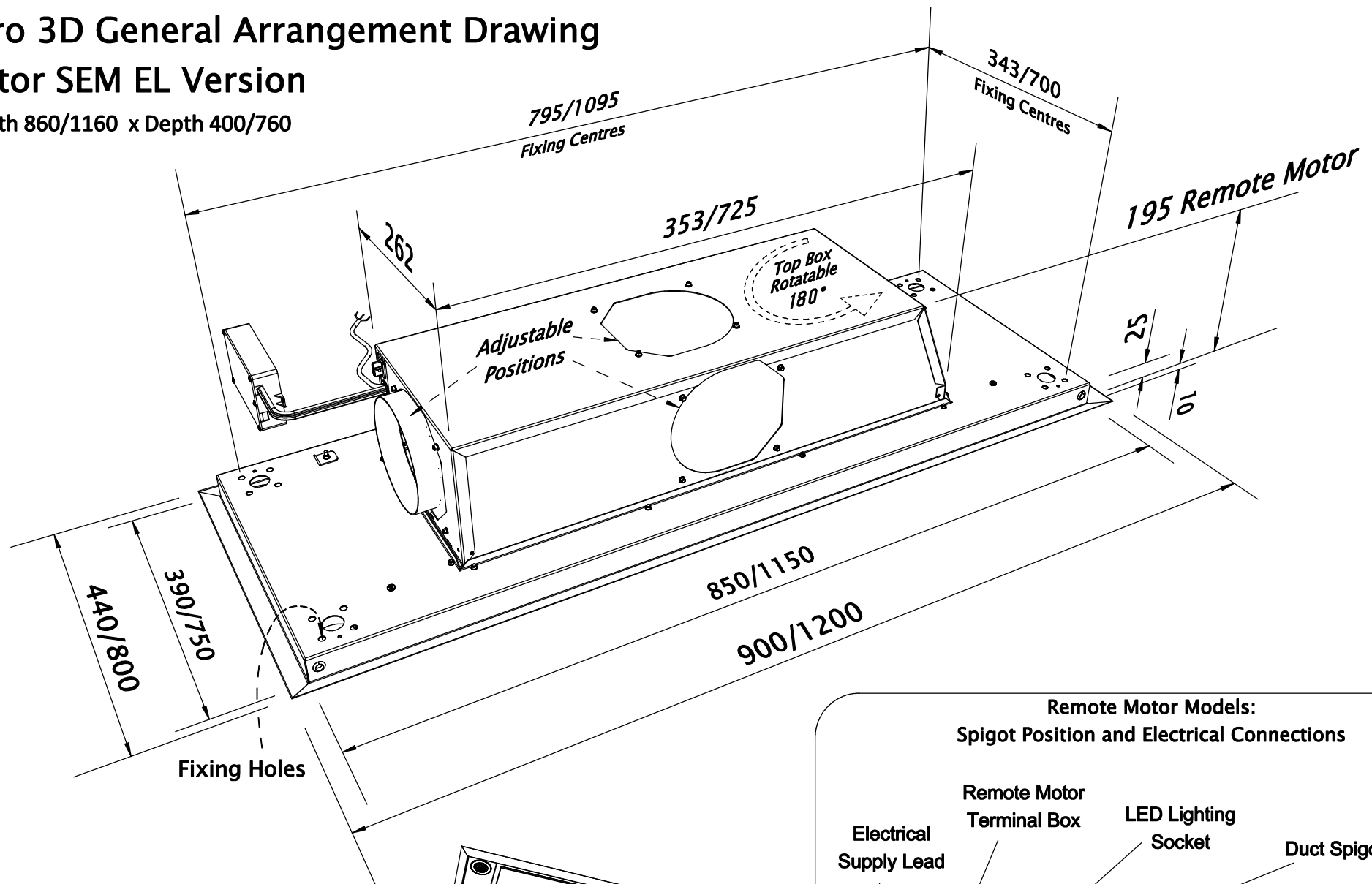


Stratus Vetro 3D General Arrangement Drawing

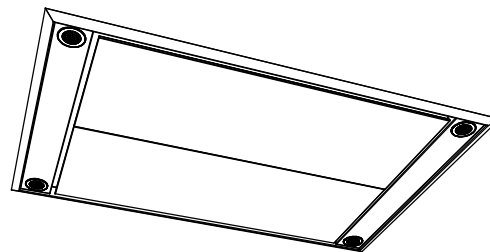
Remote Motor SEM EL Version

Cutout Details: Width 860/1160 x Depth 400/760

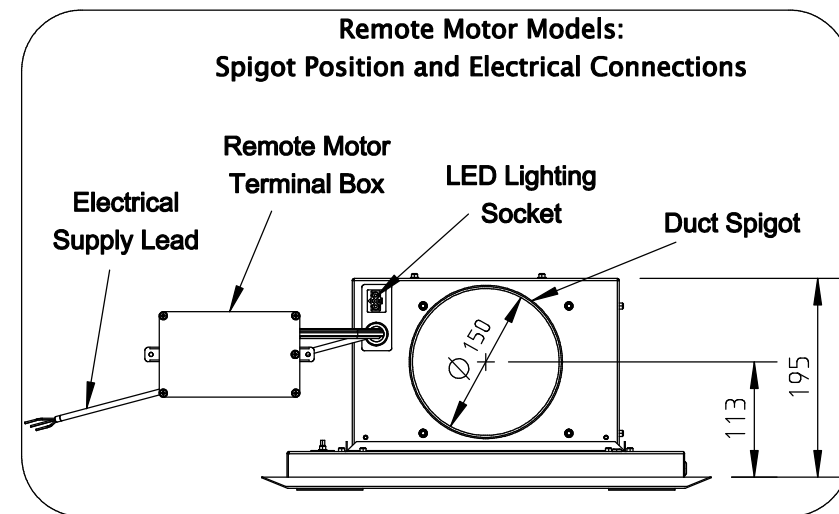
Spigot Size: \varnothing 150



440 Deep with Single Panel



800 Deep with Twin Panels



Client: Westin
 Drawn by: Mike Sharpe
 Title: WSW - STRATUS VETRO - EM 3D GA V1 20150216

Approved by:

Date:

Scale: 1:10 A4
 Units: mm
 Date: 16-02-15