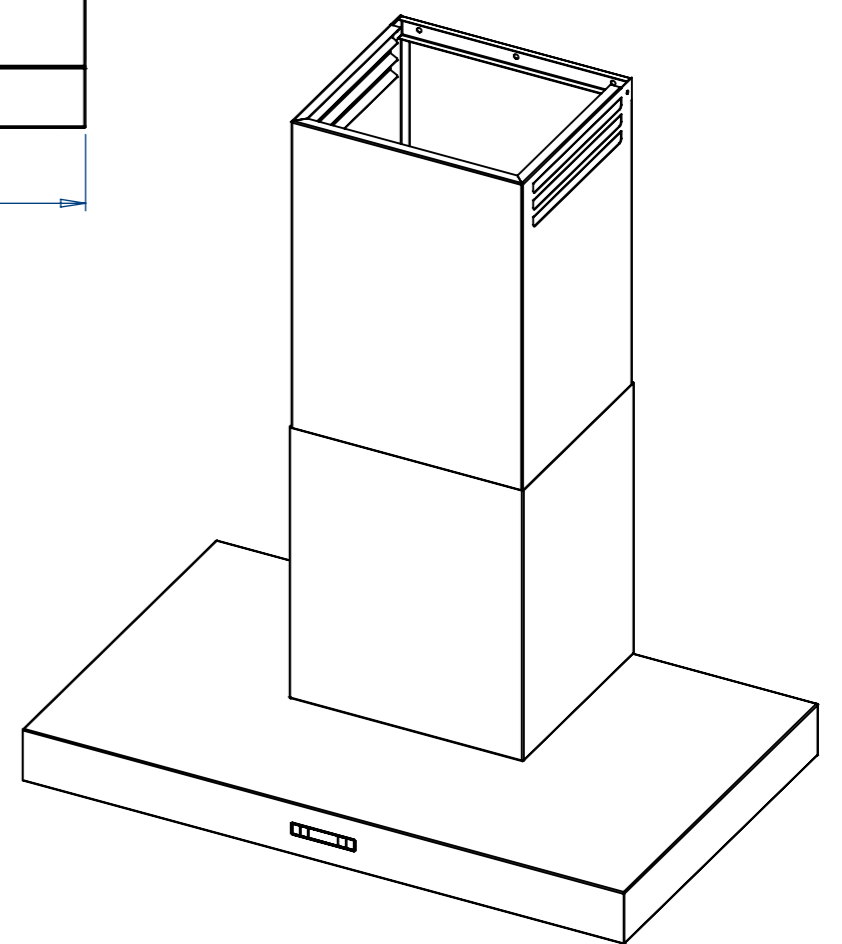
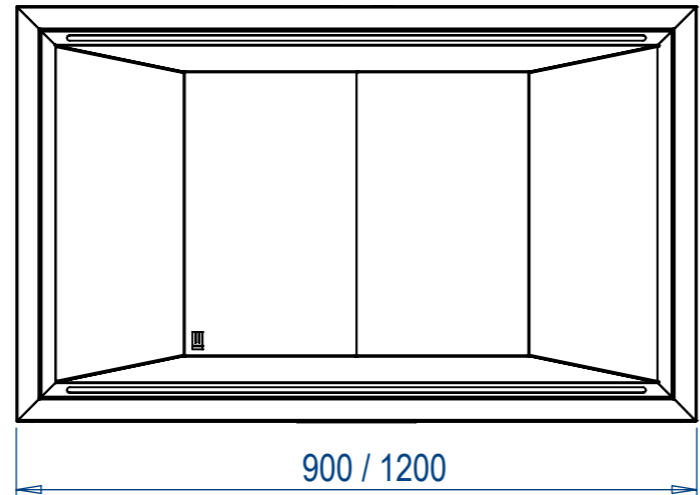
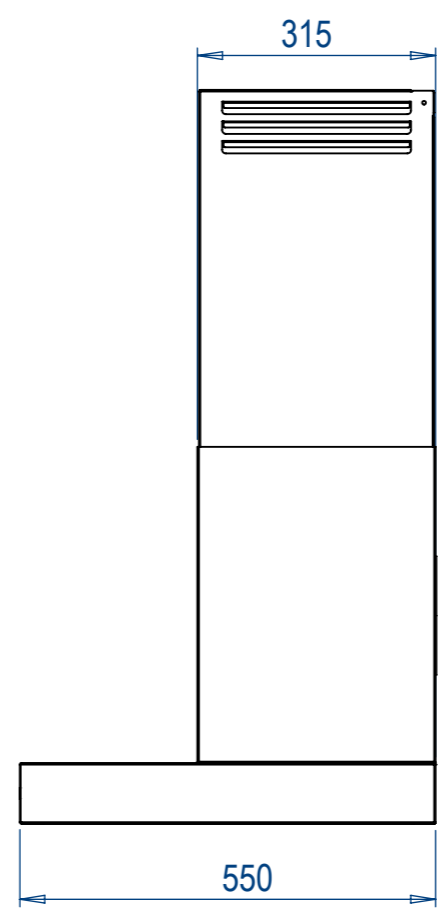
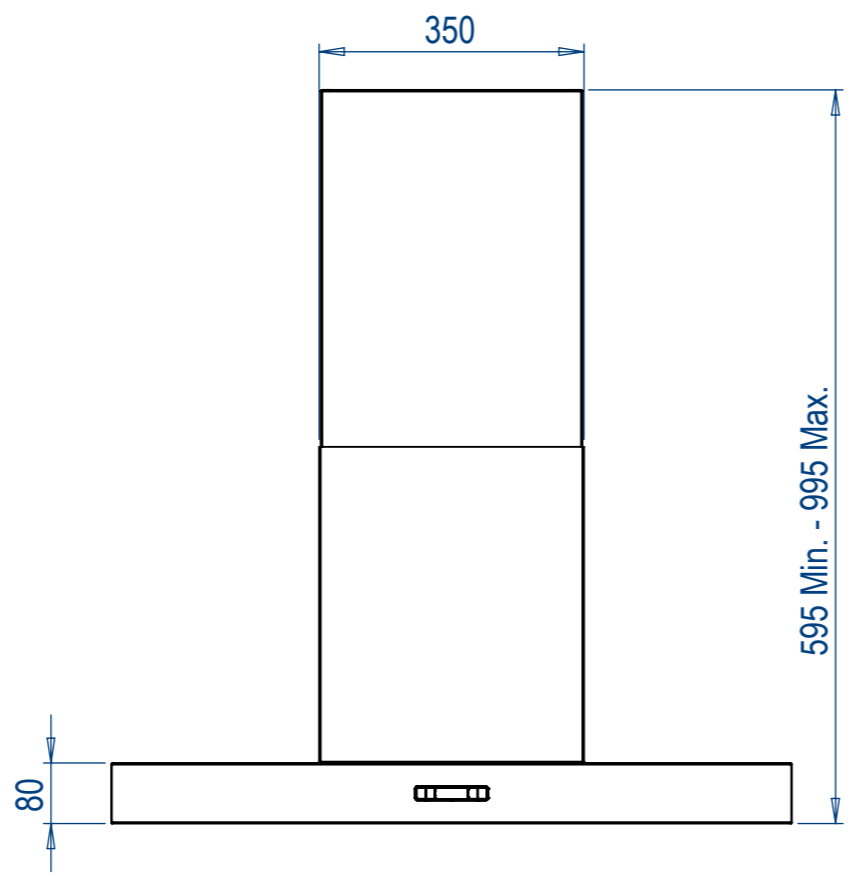
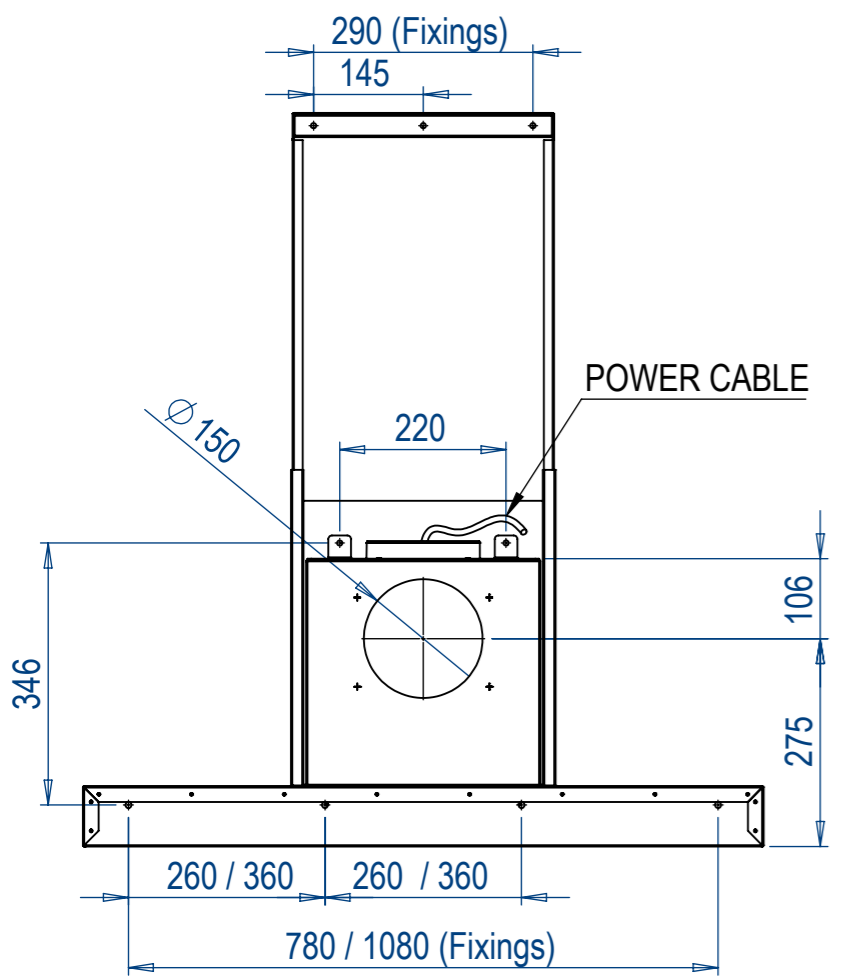


Motor	1 x Internal Motor
Lighting	2 x Variable Warmth (2700K-6000K) Dimmable LED Strip lights
Motor & Light Control	Pushbutton / Radio Remote Control
Duct	1 x 150mm $\phi$ Duct
Duct Position	Top or Rear (Please Specify when Ordering)

REVISIONS				
ZONE	REV.	DESCRIPTION	DATE	APPROVED



CLIENT. WS WESTIN LTD  
 DRAWN BY. M.BARNES  
 TITLE. WSW - SERNA EDGE 900 - 1200 ~ GA V2 20200701

REFERENCE. PRODUCTION  
 APPROVED BY. MPB  
 DATE APPROVED. 07/12/20

DO NOT SCALE DRAWING  
 ALL DIMENSIONS ARE IN MILLIMETERS  
 DRAWING MUST NOT BE RE-CIRCULATED WITHOUT THE PERMISSION OF WS WESTIN LTD

SCALE. DNS  
 DWG NO.  
 DATE. 22/01/2021  
 A3/A4