



# WESTIN

## PRIME

## PRIME SLIM

## PRIME PRO

### Built-in Unit

### Installation, Operation and Maintenance

## Contents

|   |   |
|---|---|
| INTRODUCTION                                    | 1 |
| IMPORTANT INFORMATION                           | 1 |
| EXTRACTION PERFORMANCE                          | 1 |
| INSTALLATION                                    | 2 |
| SPECIFICATIONS                                  | 4 |
| OPERATING INSTRUCTIONS                          | 5 |
| MAINTENANCE                                     | 6 |
| GENERAL ARRANGEMENT<br>DRAWINGS & ILLUSTRATIONS | 7 |

### Unpacking

Remove all items from the packaging. Retain the packaging. If items are missing or damaged, please contact Westin for assistance.



## Installation, Operating & Maintenance Instructions

### 1. INTRODUCTION

During the cooking process, there will be heat, vapours and fumes produced. Your Westin *Prime* built-in extractor has been designed to complement your kitchen both in looks and performance in order to create a good environment for creative cooking and is ideal for applications where a conventional cooker hood is neither suitable nor desirable (in an inglenook chimney or kitchen furniture above the hob for example).

### 2. IMPORTANT INFORMATION

The exhaust air must not be discharged into a flue which is used for exhausting fumes from appliances supplied with energy other than electricity e.g. oil or gas-fired central heating boilers, gas-fired water heaters, etc.

Requirements of the relevant authorities concerning the discharge of exhaust air must be complied with.

#### WARNING

Proper care must be taken to ensure that the negative pressures caused by high performance extraction systems do not adversely affect the safe operation of certain types of fuel-burning appliances (gas, oil or solid fuel), including those installed in the kitchen and possibly also those installed in other parts of the house.

Where such fuel-burning appliances are installed, adequate ventilation **MUST** be provided in the room of installation, located and sized such that the negative pressure in the room created by the extractor does not exceed 4Pa.

In case of doubt, do not operate the extractor and fuel-burning appliance(s) simultaneously and consult an appropriate (for the fuel type) expert for advice.

#### ELECTRICAL SAFETY

This appliance requires an earth connection.

Ensure that the supply voltage corresponds to that marked on the rating label inside the extractor.

The extractor must be isolated from the electrical supply before carrying out any cleaning or maintenance operations.

Pay particular attention to fire risk when frying. To minimise the risk of fire, all instructions relating to cleaning the grease filters and removing grease deposits must be adhered to.

Do not flambé under the extractor.

The clearance between the hob and the lowest part (base) of the extractor should be within the following range, unless a greater distance is specified by your cooking appliance or furniture manufacturer:

- **minimum clearance distances:**
  - 450mm above electric hobs and cookers
  - 750mm above gas hobs and cookers, fryers
  - 760mm above wok burners, griddles, barbeques.
- maximum recommended clearance: 850mm

The minimum distance between the hob and the bottom of the extractor is essential for safety reasons and to prevent overheating of the extractor and its components.

Please also note that a 90° bend in flexible ducting will require 215mm minimum headroom to give a smooth radius with no kinking.

You are advised to install measures designed to reduce the incidence of cold draughts entering the property via ductwork.

- For extractors with internal or inline motors, an external duct termination with integral non-return flaps (e.g. a gravity shutter wall vent/louvre) is the minimum draught prevention measure you should install.
- For wall-mounted motors an inline backdraught shutter is recommended.

### 3. EXTRACTION PERFORMANCE

This type of extractor is designed to fit into a soffit, with only the underside visible when installed.

Because fumes spread out as they rise, try to position the extractor so it sits as far forward over the hob as is practicable in order to minimise fume escape.

The primary influence on the overall performance of the extractor is the design of the ducting which takes the exhaust air from the extractor to the outside. The duct route should be a prime consideration during the initial stages of the kitchen design. Westin do not recommend recirculating air back into the kitchen if it can be avoided.

**Please note the following:**

- **The extractor is provided with a spigot(s) suitable for connecting 150mm round ducting.**

**Note:** the cross-sectional area of 150mm diameter duct is the minimum area consistent with efficient extraction.

- The most efficient configuration is to duct straight through an outside wall, so try to position the cooker close to an outside wall when designing your kitchen.
- For maximum efficiency, ducting should be kept as short as possible and as straight as possible with a constant cross-sectional area being no less than that recommended by Westin. Bends in the duct will also degrade performance so the number of bends in a duct run should be kept to a minimum and be gradual and smooth to prevent turbulence. Avoid kinks in flexible ducting; pull flexible ducting taut over straight runs to ensure that the internal surface is as smooth as possible.
- If your duct route is straight but exceeds 7m in length, or exceeds 5m with three bends, then please consult with Westin as to the suitability of this hood for your application.
- Rigid 150mm round ducting or 220 x 90 flat channel ducting will perform best. Semi-rigid round duct (not flexible foil or PVC) is a reasonable alternative and can be formed into bends as necessary. Flexible ducting is economical but its use should be minimised because it gives the worst performance of all and should only be used for the initial connection between the hood and your fixed ductwork or for very short runs. Flexible duct must be pulled taut over straight runs to prevent significant losses in extraction efficiency.
- Try to maintain access to the duct route during installation. Blind fitting of ducting parts can lead to problems, such as unseen kinks or damage.
- If using rigid ducting, **the initial duct connection to the extractor spigot** should be made using semi-rigid round ducting. This will allow ducting to be connected to the extractor before inserting it into furniture, allows for easy removal and refit (if service is ever necessary) and gives tolerance for positioning errors between the extractor and any fixed ducting or holes.
- Ducting components and kits, are available from *Westin*.

## Installation, Operating & Maintenance Instructions

### 4. INSTALLATION

The *Prime* range of built-in extractors are designed to slot into a cut-out/opening made in a horizontal soffit panel (usually the underside of kitchen furniture or inglenooks / chimney arrangements).

- The soffit panel into which the unit is to be fixed must be between 15mm and 22mm thick.

**Dimensioned drawings and illustrations to help with your installation can be found in Section 8 (page 7 onwards)**

#### 4.1. Prepare Your Opening

Prepare the opening into which the unit will be installed.

**Note:** Should you need to reinforce your furniture around the opening made then please ensure that the spring toggle clips which support the unit when installed will still be able to spring out and latch over the edge of your opening and hold the unit securely in place.

**Please refer to the soffit dimensions table on Page 10**

#### 4.2. Ducting Requirements and Installation

Make holes, as necessary, in the furniture, walls, or ceiling to take 150mm round ducting (or an equivalent flat channel duct) from the exhaust spigot location to the outside.

The duct route length should be kept as short as possible with as few bends as possible (see Section 3).

**Note:** We recommend oversizing your duct holes by 25mm to allow for any cables that may need to run alongside the duct (such as remote motor or power cables) and to generally make the installation of your ducting easier.

You should try to install all ductwork before fitting the extractor, however, if this is not possible then all holes in walls or furniture must be made in advance of fitting the extractor to avoid any debris entering the appliance.

**Regardless of the duct type being used for the majority of your duct run, the initial duct connection to the extractor spigot should be made using semi-rigid 150mm round ducting. You should therefore terminate your duct in the kitchen such that a length of semi rigid duct hangs down through the opening in your soffit.** This is important because it will enable the ducting to be connected to the extractor exhaust spigot before it is inserted into the furniture and allows for easy removal and refit if service is ever necessary. It also gives a degree of tolerance for any misalignment between the extractor spigot and any fixed ductwork.

**Illustrations showing the product ducting positions can be found from page 7**

If terminating on an outside wall a suitable weather louvre should be fitted. A variety of ducting components and complete kits are available from *Westin* to suit most installations.

For roof or chimney duct terminations please contact *Westin* or seek alternative specialist advice.

If you are fitting a wall-mounted external motor with semi-rigid or flexible ducting, then you must leave a short length (approx. 200mm) of ducting proud of the wall, to enable connection to the motor spigot, before pushing both back flush with the wall.

- **Recirculating Models**

*Westin* do not recommend recirculating air installations and they should be avoided wherever possible.

If your extractor has been adapted for recirculation, (not the standard configuration) then adequate provision must be made for exhausted air to return into the kitchen after being expelled from the extractor exhaust spigot. Adequate provision means the air can travel back to the kitchen via means equivalent to that of 150mm round ducting. This can be achieved, for example, by ducting to a vent in the top of a cabinet (or elsewhere in the room) or by creating an opening into the room in the top of your furniture. Failure to allow the air back into the kitchen will render the extractor ineffective, may cause the unit to overheat and fail, and will invalidate your warranty.

#### 4.3. Remote External Wall and Inline SEM Motors

If your extractor has been purchased to operate with a standard inline or external remote motor (SEM), then you will find a black plastic terminal box above the extractor, on a flying lead, containing electrical terminals for connection to the remote motor cable assembly. This box is referred to as the remote motor terminal box.

Each terminal inside the remote motor terminal box has one side connected to a coloured wire (which leads back to the hood control system). The remote motor cable assembly also has coloured wires and these are connected to the empty terminal. Such corresponding colours are opposite and connect to each other; i.e. red connects to red, blue to blue, and so on.

Not all terminals will be used as each remote motor type is configured differently.

An electrician (or Part P registered electrical installer) should undertake any work associated with the electrical installation of SEM remote motors.

**Please refer to the Remote Motor Wiring Illustrations on Page 12**

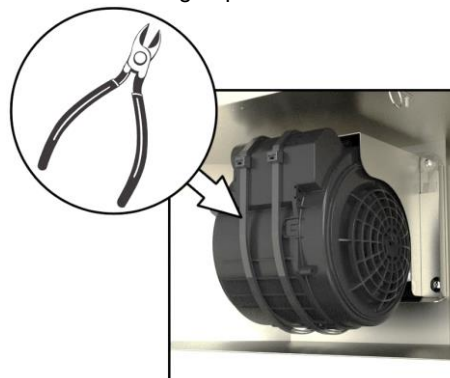
If you need to extend the remote motor cable then additional cable can be purchased from *Westin*. Alternatively, it may be extended using 7 core x 0.5mm flex. It is vital to ensure that any new cable is inserted such that the core colour integrity is maintained; i.e. a core that started as red must terminate as red, blue as blue, purple as purple, and so on.

Any remote motor should be installed in accordance with the installation instructions that accompany it. It must be installed in an easily accessible location for future maintenance. *Westin* are not responsible for providing the means of access (e.g. scaffolding or any alterations to the building and/or furniture necessary to make access possible) in the event of any maintenance requirement.

No separate power supply is required for SEM remote motors.

#### 4.4. Removing the Motor Transport Ties (If Fitted)

Note: Transport Ties are only used on smaller appliances to protect the motor during unpalleted transit.





Installation, Operating & Maintenance Instructions

4.5. Electrical Installation

The *Prime* extractor is a fixed electrical appliance.

**ELECTRICAL HAZARD.  
DISCONNECT ELECTRICAL SUPPLY BEFORE  
PROCEEDING FURTHER**

A qualified electrical technician must perform the installation of the electrical supply to the extractor.

The hood must be fed from a dedicated 230Vac single phase electrical supply terminated with a switched spur fitted with a 3A fuse. The spur should be located adjacent to the hood/cooker so that the supply can be disconnected from the hood using the switch. The means of disconnection from the supply must have a minimum contact separation of 3mm in all poles. Alternatively, a means of disconnection in the fixed wiring according to the relevant wiring rules must be fitted.

The appliance is supplied with an electrical supply flex for connection to the electrical supply. The mains supply is connected to the free end of this flex as follows:

| INCOMING SUPPLY CORD CONNECTIONS |              |
|----------------------------------|--------------|
| Core                             | Core Colour  |
| Live                             | Brown        |
| Neutral                          | Blue         |
| Protective Earth                 | Green/Yellow |

For your convenience during installation, we recommend terminating the electrical supply from the switched-fused spur with a standard 3 pin mains socket, positioned close to the extractors intended location within the furniture.

The extractor can then be fitted with a standard mains electrical plug so it can be plugged in to the supply socket by the appliance installer.

Make sure the switched-fused spur supplying the extractor is in the off position before connecting the appliance to the electrical supply.

4.6. Fixing the Extractor in Position

**When planning and undertaking your installation, you must ensure the extractor can be removed without disturbing fixed ducting or electrical installations, should future servicing be required.**

Please note the following prior to commencing fixing the extractor in position:

- Two people are required to install units over 900mm wide; to lift, hold and fix the unit in position.
- The unit will need supporting close to the opening when attaching the ducting and making electrical connections.
- As described in 4.2 (Ducting Requirements), ducting should have been installed so that a semi rigid or flexible portion is hangs down through the soffit opening.
- Do not remove protective tape until after the installation.

Proceed as follows:

- Remove the grease filters as described in Section 7.
- The extractor is held securely in place within the furniture opening by 4 adjustable spring toggle clips that protrude through slots in the outer casing of the unit.

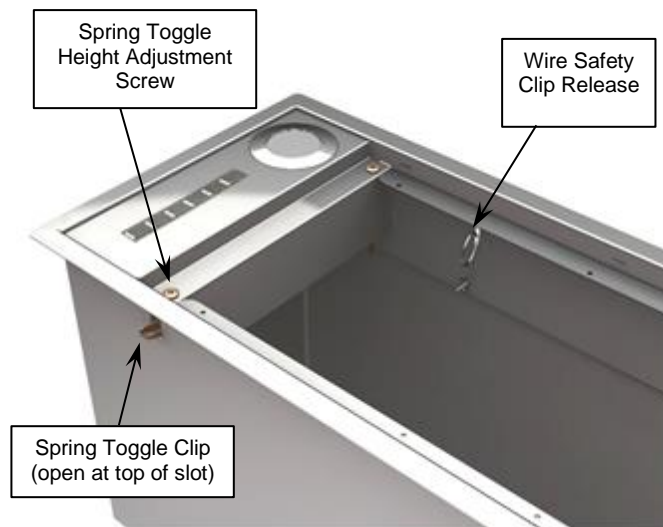
Screws for adjusting the height of the spring toggle clips are located behind the grease filters, set into the left and right filter opening flange (See Fig 1).

The spring toggle clips are moved up (away from the base flange) by turning the screws anti-clockwise and down (towards the flange) by turning the screws clockwise.

**Do not use power drivers to turn the spring toggle clip height adjustment screws.**

**Ensure that all spring toggle clips are adjusted such that each is in the fully open position at the top of its slot and can fold fully in and out of the slot when pushed.** A fully open clip flap will protrude from the casing by approximately 10mm.

- Supplementary support of the unit is provided by two sprung wire safety clips which are there to prevent the extractor falling during removal. **The wire safety clips should be disabled for installation** by pulling the clip release ring back until the clip is clear of its slot in the body of the extractor and then sliding it over to one side, so that the wire clip no longer protrudes through its slot but rests against the inner casing of the extractor.



- Position the extractor face down and as close to the opening as is practical.

*Tip: A platform to rest the extractor on and support it close to the opening is advisable. This will remove the need for excessive duct lengths hanging down through the opening to reach the spigot with the extractor at worktop level. The box the appliance came in can be used as a handy platform.*

- Cut off any excess ducting and **connect the ducting to the extractor exhaust spigot** using plastic tie straps or a suitable alternative (e.g. jubilee clip) – we do not recommend duct tape as the sole means of connection.

*Note: Internal motor models have non-return flaps as part of the spigot assembly to reduce air blowing back into the unit from outside.*

**Take care not to obstruct any backdraught flaps when connecting flexible or semi rigid ducting.**

**ELECTRICAL HAZARD.  
DISCONNECT ELECTRICAL SUPPLY  
BEFORE PROCEEDING FURTHER**



## Installation, Operating & Maintenance Instructions

- **Make sure the electrical supply from your switched spur is disconnected - the power supply for the extractor must be off!**
- **For remote motor models only**, make the electrical connections between the remote motor cable and the remote motor terminal box on top of the extractor, as described in 4.3.
- **Connect the electrical supply cord of the extractor to the mains electrical supply spur.**

If you are connecting the extractor into a switched mains electrical socket within your opening, make sure the switch is in the 'on' position before proceeding. The spur feeding the socket should remain switched off.

- **Push the extractor up through the prepared opening until the spring toggles are heard to snap over the edge of the opening** – we recommend that two people do this (supporting one end of the extractor each). Carefully release the unit, ensuring that it is supported within the opening by all four spring toggles. If a spring toggle fails to catch, try pushing upwards again and if this fails, remove the unit (as described in 4.6) and check the panel thickness and setting of the spring toggles as described earlier.

Note: Take care when inserting the extractor not to kink or introduce excessive bends in you ducting or to trap wires.

- Re-enable the two sprung safety clips by once again pulling the safety clip release (Fig 1.) and sliding the clip latch back into the slot from which it was earlier withdrawn. The clip latch should pass fully through the outer casing.
- **Close up gaps between the soffit panel and the units outer flange** by turning the spring toggle height adjustment screws clockwise. If the gap is larger than 2mm then this should be done in stages, working your way around each adjustment screw in turn until the unit has been pulled up into position.

**Do not use power drivers to turn the spring toggle height adjustment screws.**

Test the function of the unit as described in the operating instructions (Section 6).

If the unit does not function correctly, isolate the electrical supply and check all the electrical connections before contacting Westin.

### 4.7. Removing the Extractor

- First remove the grease filters and ensure that the sprung safety clip is correctly set. Only the clip release hoop and mounting arm should be on the inside of the unit with the rest of the clip fully through the slot in the extractor casing (as in Fig 1). If in doubt, pull the clip release to reveal the clip latch and make sure that it passes fully back through the casing when released.
- With the safety clips correctly set, turn the spring toggle height adjustment screws anti-clockwise. The extractor will gradually start to lower. This is best done in stages, working your way around the 4 screws thus lowering the unit evenly and avoiding undue stress on any one spring toggle.

Note: as you turn the adjustment screws, the spring toggles gradually rise until they reach the top of their slots, after which they start to retract into the extractor casing.

You will know when the spring toggles start to retract because the extractor will start to rise up into the soffit rather than lower. When this happens, you should support the extractor and continue to turn the screws carefully clockwise. When the spring toggles have retracted

sufficiently, the unit will no longer be held in place by them and the unit may drop suddenly if you are not supporting the extractor.

- The sprung safety clips are there to catch the unit and to prevent it falling from the opening in the soffit. Lower the extractor carefully until the safety clips are supporting it - if the opening has not been correctly prepared, then the safety clips may not catch on the edge of the opening, so be prepared to continue lowering the unit down and out of the opening.
- **Two people** are required to lower the unit safely.

The unit is released for final lowering by each person pulling the safety clip release back into the extractor, whilst supporting the unit with their other hand (thus disengaging them from the soffit so that the unit can be carefully lowered).

### 5. SPECIFICATIONS

| All Models                                  |                  |
|---|------------------|
| Supply voltage:                             | 230V~ 50Hz       |
| Recommended fuse size for electrical supply | 3A               |
| Lighting: LED (Per Lamp):                   | 12V, 2.6W        |
| Extractor Duct Spigot Diameter:             | 150mm            |
| Total power:                                | See rating plate |

| Internal Motor Specifications             |                        |
|---|------------------------|
| Airflow, nominal in free air (per motor): | 800 m <sup>3</sup> /hr |
| Power input (per motor):                  | 275W                   |
| Duct Spigot diameter:                     | 150mm                  |

| SEM1 EL Inline Duct Motor Specifications |                        |
|--|------------------------|
| Airflow, nominal in free air:            | 800 m <sup>3</sup> /hr |
| Power input:                             | 275W                   |
| Duct Spigot diameter:                    | 150mm                  |

| SEM2 EL Wall Mounted Motor Specifications |                        |
|---|------------------------|
| Airflow, nominal in free air:             | 900 m <sup>3</sup> /hr |
| Power input:                              | 200W                   |
| Duct Spigot diameter:                     | 150mm                  |

| SEM7 EL Wall Mounted Motor specifications  |                          |
|--|--------------------------|
| Airflow, nominal in free air: 200mm Diameter Duct  | 1,700 m <sup>3</sup> /hr |
| Airflow, in free air via supplied 150mm reducer  | 1,500 m <sup>3</sup> /hr |
| Power input:   | 490W                     |
| Duct Spigot diameter:  | 200/150mm                |
| <i>Note: The motor has a 200mm diameter spigot and is supplied with a reducer for connection to 150mm ducting.</i> |                          |

| SEM8 EL Inline Motor specifications  |                          |
|--|--------------------------|
| Airflow, nominal in free air: 200mm Dia Duct   | 1,300 m <sup>3</sup> /hr |
| Airflow, in free air via supplied 150mm reducer  | 1,100 m <sup>3</sup> /hr |
| Power input:   | 250W                     |
| Duct Spigot diameter:  | 200/150mm                |
| <i>Note: The motor has a 200mm diameter spigot and is supplied with a reducer for connection to 150mm ducting.</i> |                          |

| Recommended Protective Fuse Sizes for Electrical Supply  |    |
|--|----|
| Models installed with:<br>Internal Motor<br>SEM 1 Inline Fan<br>SEM 2 Wall Mounted Fan<br>SEM 7 Wall Mounted Fan<br>SEM 8 Inline Fan | 3A |

For detailed performance, specification and energy efficiency information please refer to the product fiche for your product



6. OPERATING INSTRUCTIONS

Radio Remote Controlled Models

- Switch on the power at the fused spur.
- Then Immediately turn on the remote control (⏻).
- Then immediately press and hold (☼) until the lights illuminate.

Should the extractor fail to respond to commands from the remote-control, please check that the power is 'on' and the internal appliance reset switch is in the 'ON' position (factory default). The reset switch is a latching red push-switch located in the chamber behind the door panel / filter.

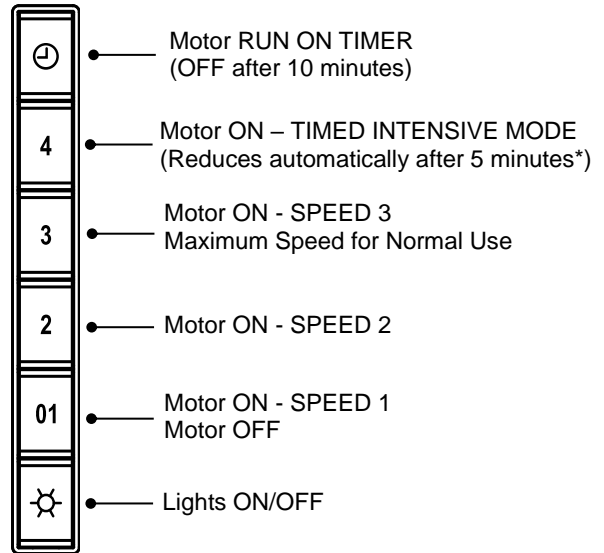
If you experience interference problems, or the remote appears to be faulty from new, then a different radio transmission code may be required.

Refer to the instruction leaflet included with the remote control regarding transmission code changes before seeking assistance.

Pushbutton Models

Pushbutton Functions

(For models with pushbutton controls)



The extractor controller automatically switches off the appliance if there has been no operator action for 4 hours.

After 30 hours accumulated running GREASE FILTER CLEANING will be signalled by all 6 indicators flashing. Reset by pressing (⏻).

\*\*Speed 4 reduces automatically to Speed 3 after 5 minutes

Light Dimming

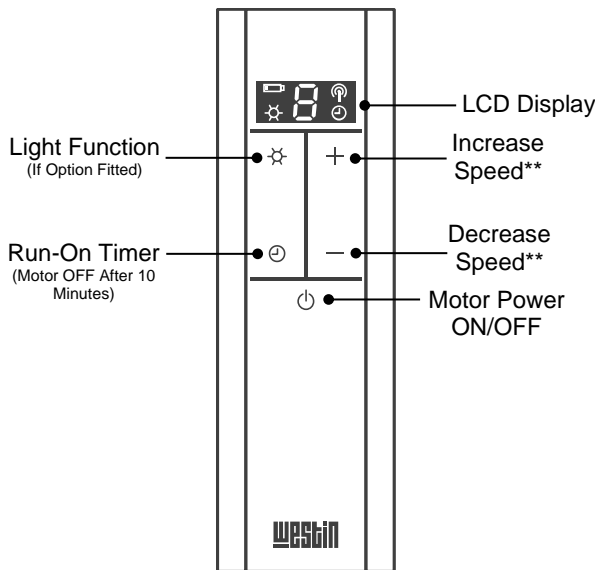
To adjust the light intensity, press & hold (☼) until desired intensity is set.

Colour Changing

Ensure that the fan & timer are off. Press (⏻) until the lights illuminate. Then press and hold (☼) until the desired light.

Press SPEED 1 button to confirm the desired light preference.

Remote Control Functions



\* The automatic speed reduction feature is required by EU Ecodesign and Energy Labelling Commission Legislation 65/2015 66/2014 in order to satisfy Directive 2009/125 EC

The extractor controller will automatically switch off the appliance if there has been no operator action for 4 hours.

Refer to the instruction leaflet included with the radio remote control console regarding pairing the device, transmission codes and factory reset procedures.

Other Control Systems

Because this is a custom-made product, an alternative control system may have been specified during the design phase.

Most commonly this alternative control system will be a continuously variable rotary fan speed controller plus light control mounted on the extractor (usually the baseplate). With most such control systems, you will find on/off switches for the fan and lights and a rotating knob to adjust the fan speed. Sometimes the switch and knob are combined into a single unit, like a domestic lighting dimmer switch, which is pressed for on/off function and turned for speed.

In some cases, the fan control may have been specified as a separate item that does not form part of the extractor (e.g. a wall mounted controller). Such controllers may have been supplied by the manufacturer or a third party and are not covered by this manual.

If you are unsure how to operate your unit then please call the manufacturer for assistance.

# PRIME RANGE Built-in Unit

## Installation, Operating & Maintenance Instructions



### 7. MAINTENANCE

Regular maintenance is essential to ensure good performance and long-life.

#### **CAUTION.**

To minimise the risk of fire, all instructions relating to cleaning the grease filters and removing grease deposits must be adhered to.

To maintain the immaculate appearance of the extractor, and to minimise fire risk, ensure that grease deposits on the extractor surfaces are kept to a minimum by regular cleaning.

To clean the stainless-steel surfaces of the extractor, use a soft cloth and a suitable cleaning agent, such as a specially produced stainless-steel cleaner, or washing up detergent and warm water.

Painted surfaces should be cleaned using a soft cloth, detergent and warm water.

Glass surfaces should be cleaned with a suitable glass cleaning agent.

- **Do not use bleach-based cleaning products or abrasive materials.**

Clean the grease filters in a dishwasher or by hand-washing in hot water and detergent every 2 months - sooner if the extractor is used extensively and filters become grease laden.

- Whilst you can expect years of service from mesh grease filters, they are considered a consumable item and may deteriorate over time and need replacement, particularly when cleaned in a dishwasher. For dishwasher users adhering to a 2-monthly cleaning interval, we recommend grease filter replacement every 5 years to maintain optimum performance, even if they show no visible signs of deterioration. For all users, filters should be replaced whenever they exhibit signs of physical wear.

#### **Removing the Grease Filters**

The clip-in grease filters have an integrated sprung latch mechanism. Release the latch by pulling the lever and remove the filter.

Filters are replaced by locating the tabs opposite the lever into corresponding slots in the extractor base and then pushing the filter into position with the latch held open. Once the filter is in position release the lever, allowing the latch to engage.

#### **Lamp replacement**

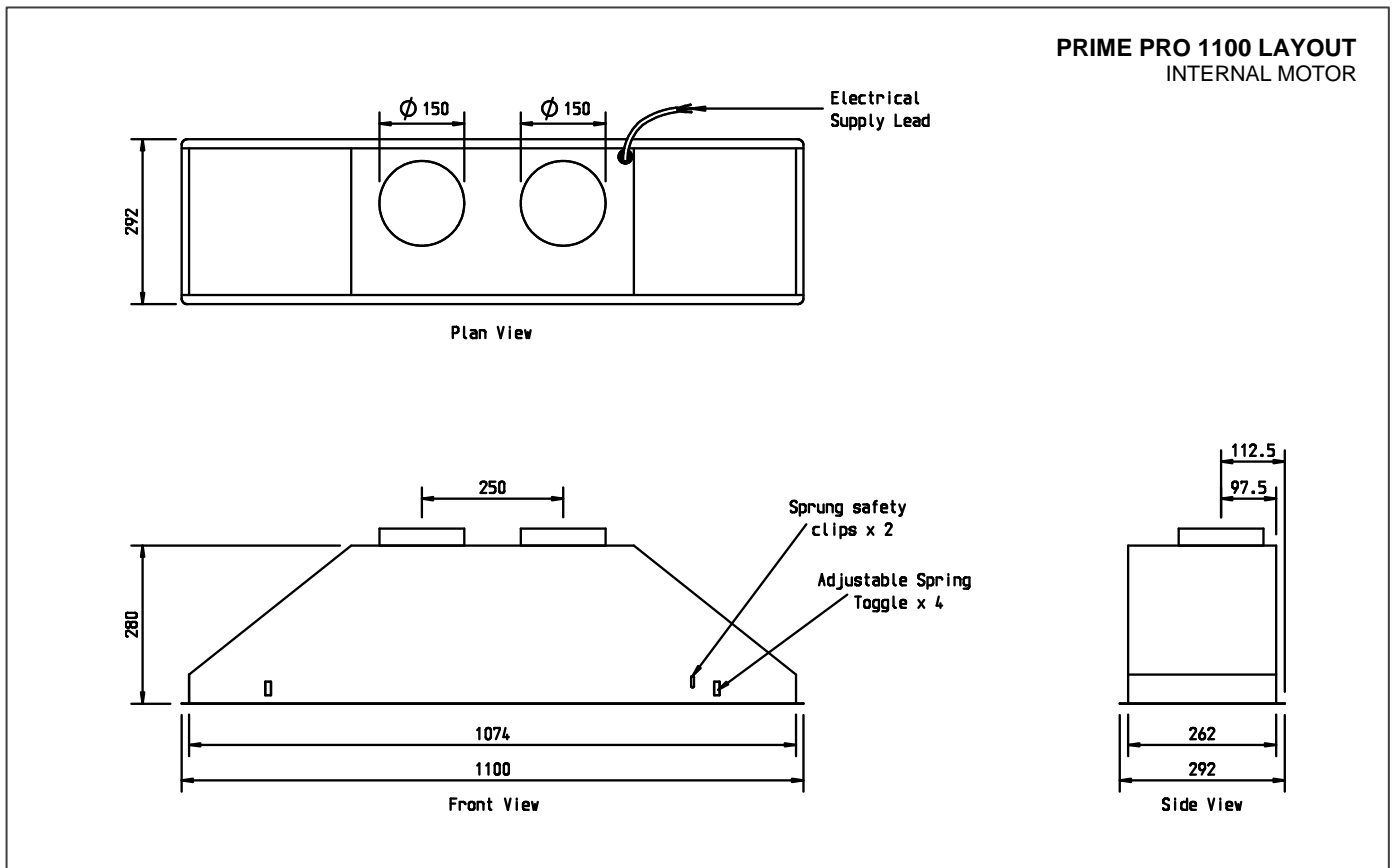
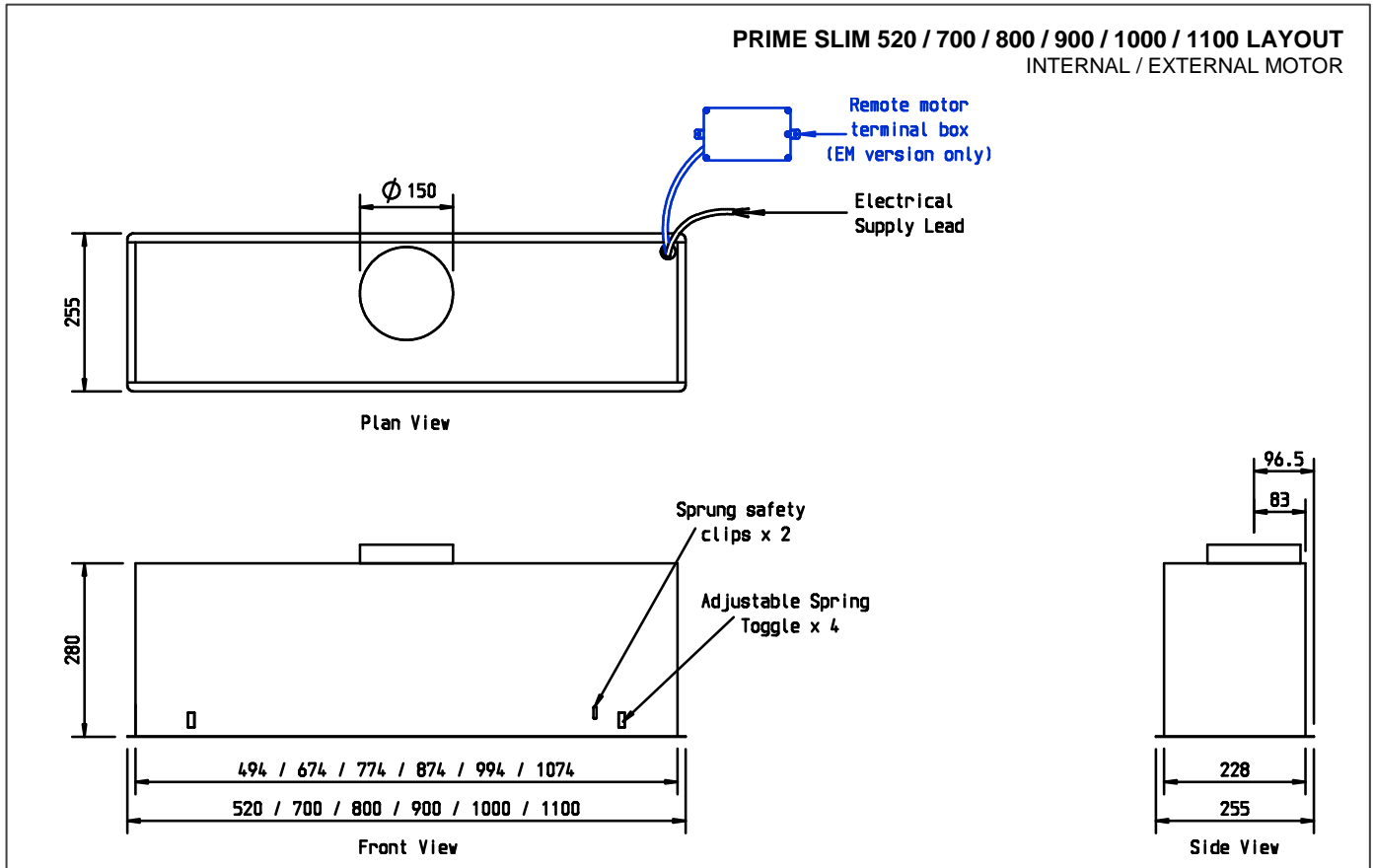
The long-life LED units are not designed for end user replacement. In the unlikely event of failure please call Westin.

# PRIME RANGE Built-in Unit

## Installation, Operating & Maintenance Instructions



### 8. GENERAL ARRANGEMENT DRAWINGS & ILLUSTRATIONS



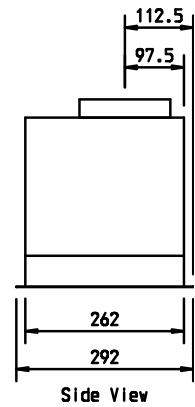
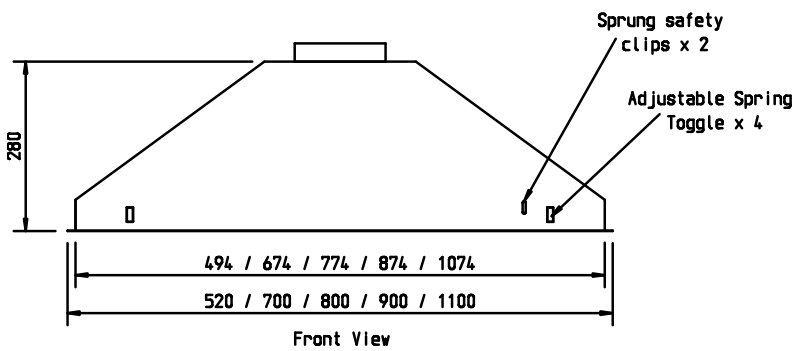
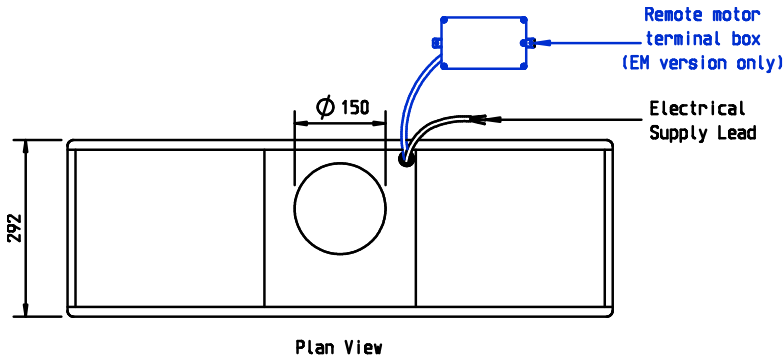


# PRIME RANGE Built-in Unit

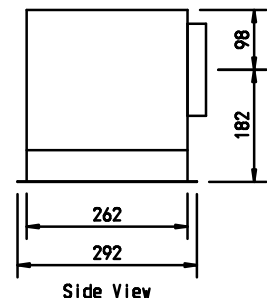
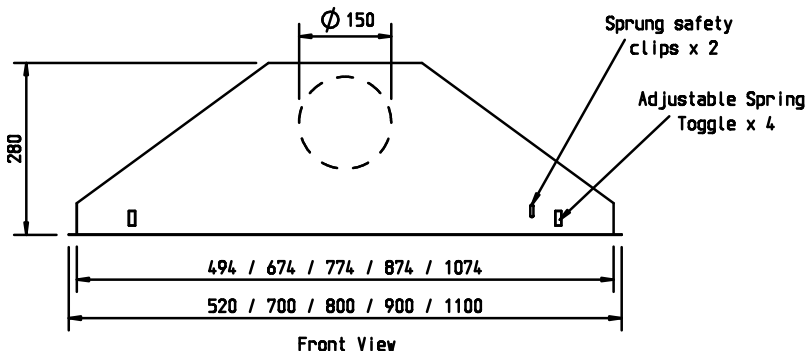
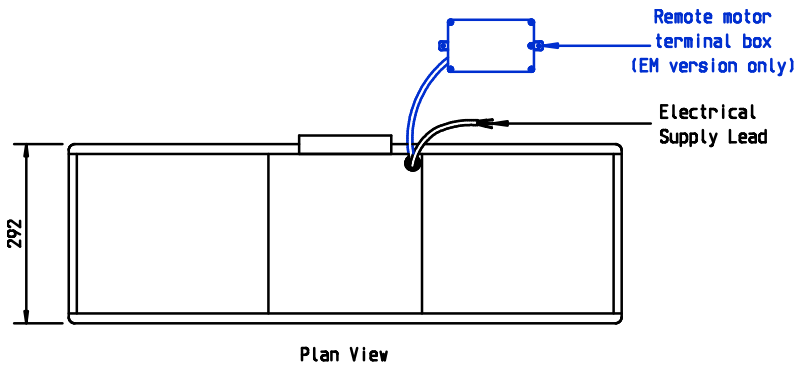
## Installation, Operating & Maintenance Instructions



### PRIME 520 / 700 / 800 / 900 / 1100 LAYOUT – TOP EXIT INTERNAL / EXTERNAL MOTOR



### PRIME 520 / 700 / 800 / 900 / 1100 LAYOUT – REAR EXIT INTERNAL / EXTERNAL MOTOR



# PRIME RANGE Built-in Unit

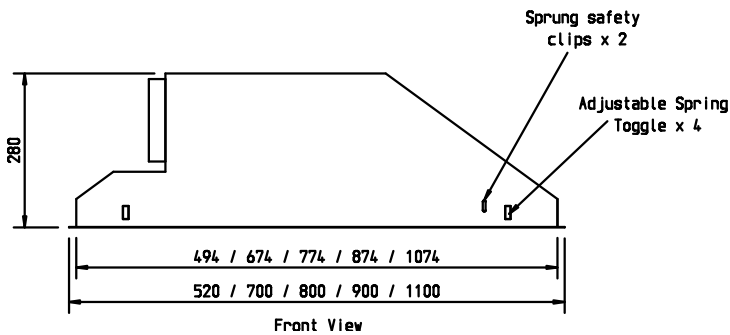
## Installation, Operating & Maintenance Instructions



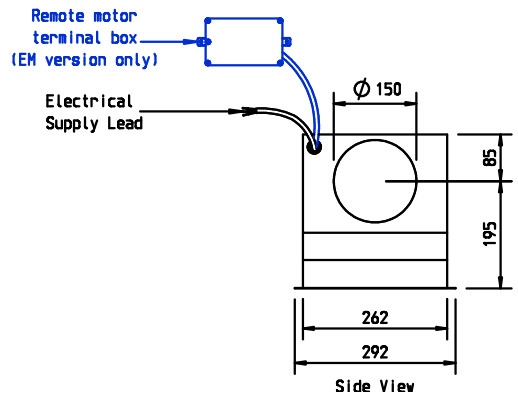
### PRIME 520 / 700 / 800 / 900 / 1100 LAYOUT – LHS EXIT INTERNAL / EXTERNAL MOTOR



Plan View



Front View

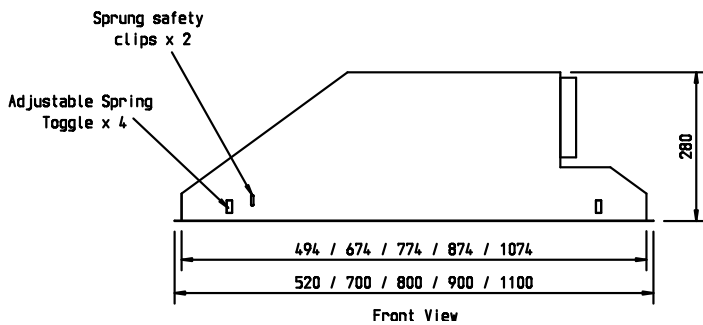


Side View

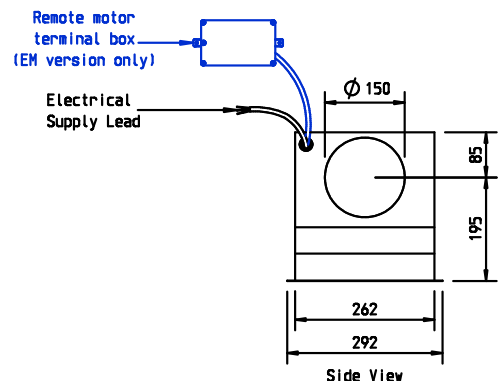
### PRIME 520 / 700 / 800 / 900 / 1100 LAYOUT – RHS EXIT INTERNAL / EXTERNAL MOTOR



Plan View



Front View



Side View

# PRIME RANGE Built-in Unit

## Installation, Operating & Maintenance Instructions

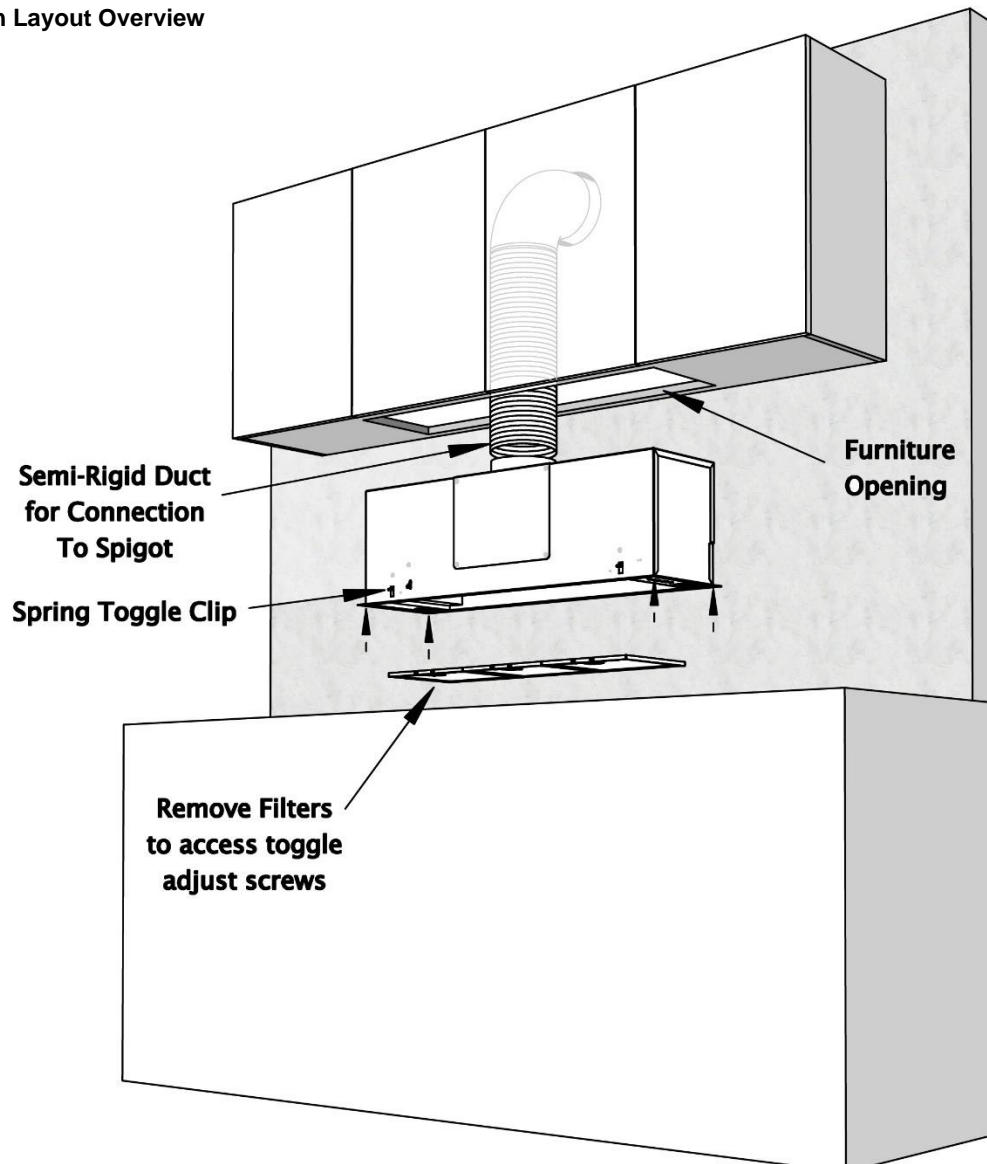


### Soffit opening dimensions

|                   | Width (mm) | Depth (mm) |
|-------------------|------------|------------|
| <b>Prime Slim</b> |            |            |
| 520               | 500        | 232        |
| 700               | 680        | 232        |
| 800               | 780        | 232        |
| 900               | 880        | 232        |
| 1000              | 980        | 232        |
| 1100              | 1080       | 232        |
|                   |            |            |
| <b>Prime Pro</b>  |            |            |
| 1100              | 1080       | 266        |
|                   |            |            |
| <b>Prime</b>      |            |            |
| 520               | 500        | 266        |
| 700               | 680        | 266        |
| 800               | 780        | 266        |
| 900               | 880        | 266        |
| 1100              | 1080       | 266        |

Note: The height of your opening must be sufficient for the extractor and your duct connection arrangement. A minimum opening height of 300mm is recommended.

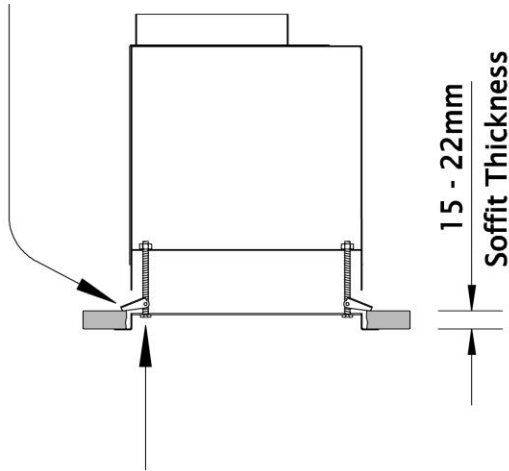
### Installation Layout Overview





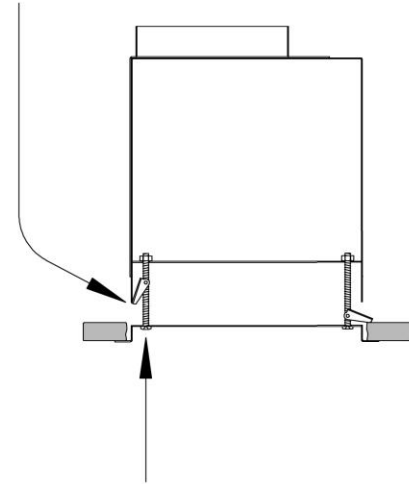
Toggle & Safety Clip System Illustrations

Toggle Clamped  
Against Soffit



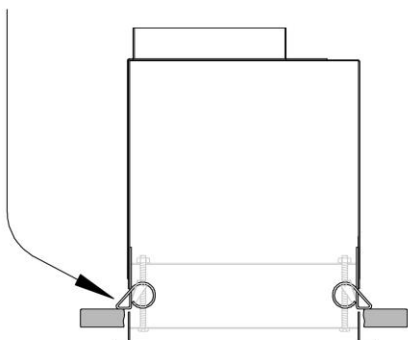
Turn Clockwise for  
Toggle Down  
(Tighten)

Toggle Up and  
Retracted for  
Removal

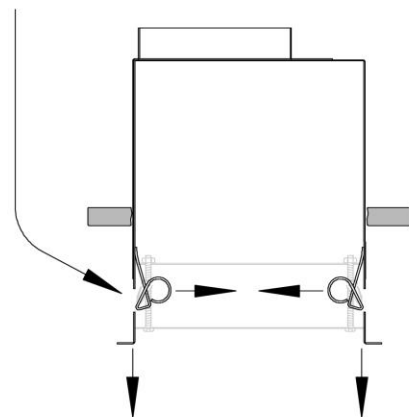


Turn Anti-Clockwise  
for Toggle Up  
(loosen and retract).

Safety Clips Support  
Unit with Toggles  
Retracted



Pull Clips to  
Release during  
Removal





Installation, Operating & Maintenance Instructions

SEM-EL REMOTE MOTOR WIRING ILLUSTRATIONS for Energy Labelling Directive Compliant Motors SEM1, 2, 7 and 8

The wiring illustrations below apply to SEM EL Motors only.

The below diagram shows a typical SEM EL wiring schematic. the appliance is supplied with an external terminal box that requires connecting to the external motor.

In order to access the electrical terminals, remove the fixing screws from the external terminal box lid. Refer to fig. 2 & 3 for details of how to wire the SEM 1/2 or SEM 7/8 correctly.

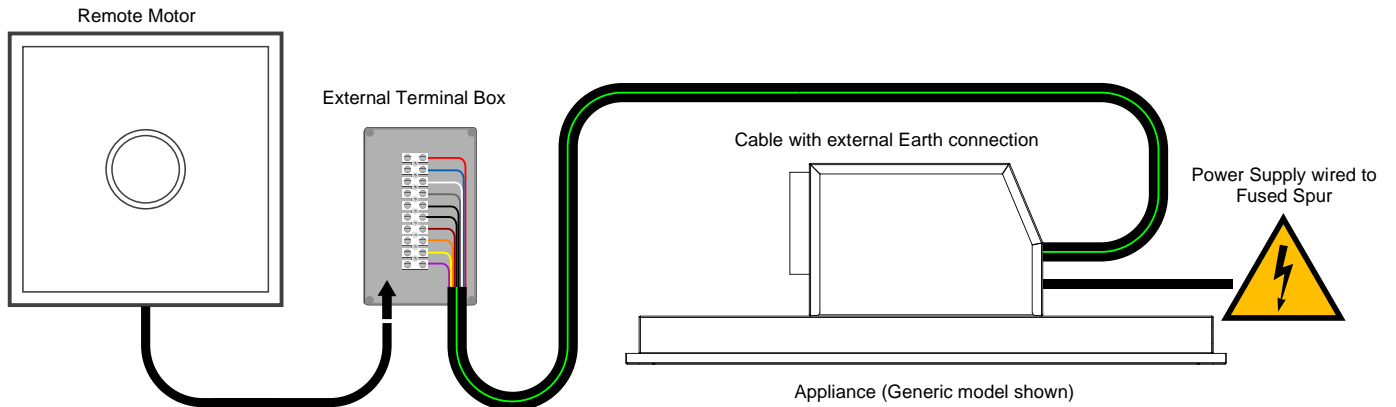


Fig. 1 Typical System

Fig. 2 Terminal Colour Positions

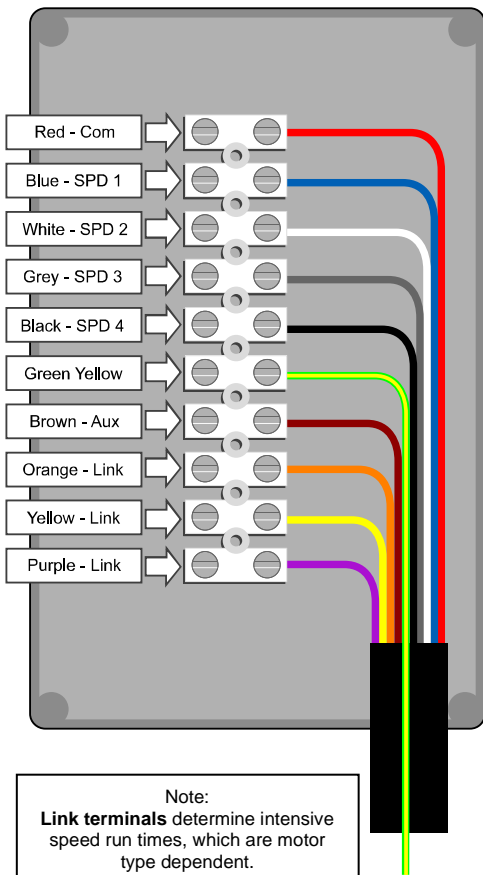
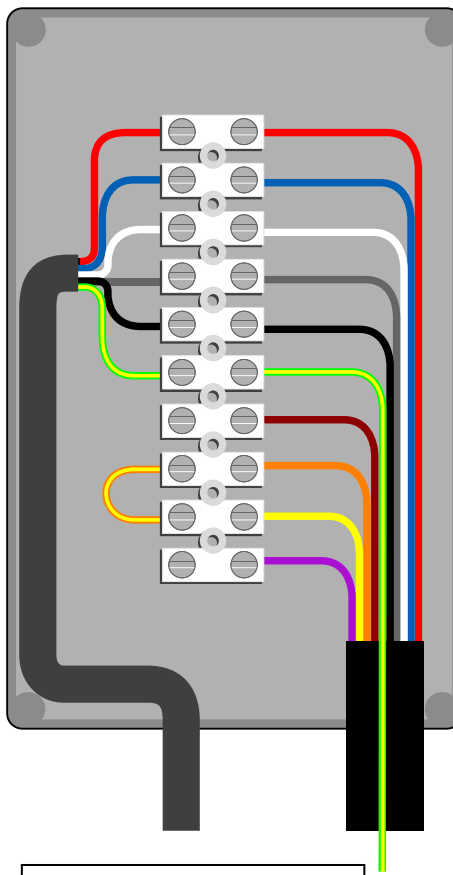
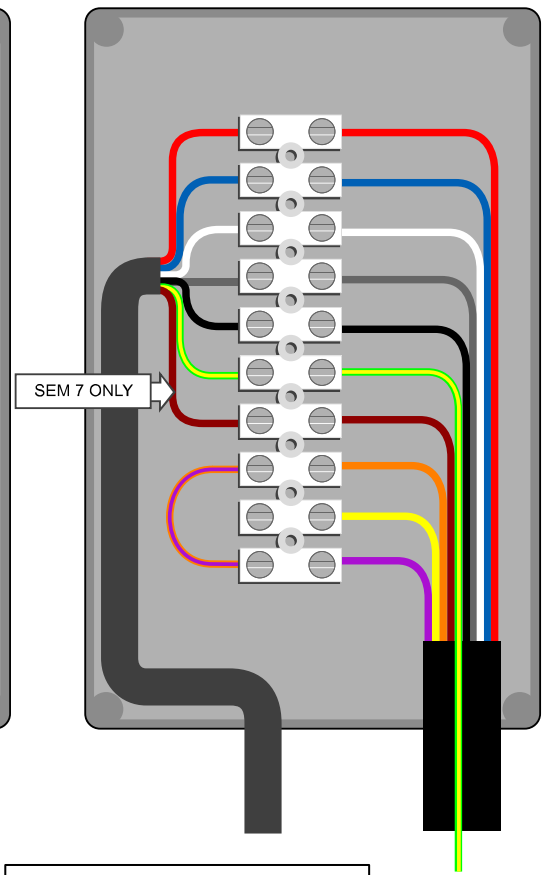


Fig. 3 SEM 1 / SEM 2 Electrical Connections



Remote Motor Cable Assembly  
Orange/Yellow link wire is included

Fig. 4 SEM 7 / SEM 8 Electrical Connections



Remote Motor Cable Assembly  
(Orange/Purple link wire is included)

Note:  
**Link terminals** determine intensive speed run times, which are motor type dependent.  
**Aux terminal** powers auxiliary PCB in some motors.