



WESTIN

STRATUS COMPACT

Ceiling Built-in Unit

Installation, Operation and Maintenance

CONTENTS

INTRODUCTION	2
IMPORTANT INFORMATION	2
EXTRACTION PERFORMANCE	2
INSTALLATION	2
SPECIFICATIONS	5
MAINTENANCE	5
OPERATING INSTRUCTIONS	6
DRAWINGS	7
REMOTE MOTOR WIRING	12
GUARANTEE	13

Unpacking

Remove all items from the packaging. Retain the packaging.
If items are missing or damaged, please contact Westin for assistance.

W S Westin Ltd
Phoenix Mills, Leeds Road, Huddersfield, HD1 6NG, UK
Tel: 01484 421585 Fax: 01484 432420 Email:
sales@westin.co.uk
www.westin.co.uk

Ceiling Built-in Unit Stratus Compact

Installation, Operating & Maintenance Instructions



1. INTRODUCTION

During the cooking process, there will be heat, vapours and fumes produced. Your *Westin Ceiling Extractor* has been designed to complement your kitchen both in looks and performance, in order to create a good environment for creative cooking.

2. IMPORTANT INFORMATION

The exhaust air **must not** be discharged into a flue which is used for exhausting fumes from non-electric appliances such as oil or gas-fired central heating boilers or gas-fired water heaters, etc.

Requirements of the relevant authorities concerning the discharge of exhaust air must be complied with.

Pay particular attention to fire risk when frying. To minimise the risk of fire, all instructions relating to cleaning the grease filters and removing grease deposits must be adhered to.

Do not flambé under the extractor.

WARNING.

Proper care must be taken to ensure that the negative pressures caused by high performance extraction systems do not adversely affect the safe operation of certain types of fuel-burning appliances (gas, oil or solid fuel), including those installed in the kitchen and also those installed in other parts of the house.

Where such fuel-burning appliances are installed, adequate ventilation **MUST** be provided in the room of installation, located and sized such that the negative pressure in the room created by the extractor does not exceed 4Pa.

In case of doubt, do not operate the extractor and fuel-burning appliance(s) simultaneously and consult an appropriate (for the fuel type) expert for advice.

ELECTRICAL SAFETY.

This appliance requires an earth connection.

Ensure that the supply voltage corresponds to that marked on the rating label inside the extractor.

The extractor must be isolated from the electrical supply before carrying out any cleaning or maintenance operations.

The clearance between the hob burners and the bottom surface of the extractor must be at least 750mm to prevent overheating of the extractor and its components.

Please also note that a 90° bend in flexible ducting will require 215mm minimum headroom to give a smooth radius with no kinking.

You are advised to install measures designed to reduce the incidence of cold draughts entering the property via any ductwork.

- For extractors with internal or inline motors, this should, at the very least, consist of an external duct termination with integrated non-return flaps (e.g. gravity shutter wall grille/louvre) and/or an inline backdraught shutter.
- For wall-mounted motors, an inline backdraught shutter is recommended.

3. EXTRACTION PERFORMANCE

This type of extractor is designed to fit into the ceiling void, with only the underside and outer flange visible when installed.

Because fumes spread out as they rise, a unit larger than the hob area is desirable (although not always possible). The perimeter extraction system is designed to conceal the grease filters and to minimise fume escape. Warm cooking fumes that do escape tend to accumulate in the highest part of the room, so situating the unit at the highest point is of benefit. It will perform best when it is situated directly over the hob.

The primary influence on the overall performance of the extractor is the design of the ducting which takes the exhaust air from the extractor to the outside. The duct route should be a prime consideration during the initial stages of the kitchen design (Westin do not recommend recirculating air back into the kitchen).

Please note the following:

- Easy access to the duct route during installation is important. Lack of access may require the "blind" fitting of flexible ducting (with increased risk of unseen kinks and impaired efficiency).
- The extractor is provided with a spigot suitable for connecting 150mm diameter ducting.
- **Note:** the cross-sectional area of 150mm diameter duct is the minimum area consistent with efficient extraction.
- The most efficient configuration is to duct straight through an outside wall, so try to position the cooker against an outside wall when designing your kitchen.
- Your extractor can be set to vent to the rear, front, left or right. Use the exhaust position which gives the shortest achievable duct route and least number of bends. Joist positions will often determine what is achievable.
- Rigid 150mm round ducting or an equivalent flat channel system (available from *Westin*) will perform best, with semi-rigid (often referred to as flue liner) being the second-best solution. Flexible ducting is economical, but its use should be minimised as it gives the worst performance and should only be used for short duct runs or initial connection and should be pulled taut to prevent significant losses in extraction efficiency.
- For maximum efficiency, ducting should be kept as short and as straight as possible, with a constant cross-sectional area being no less than that recommended by Westin. Bends in the duct will also degrade performance, so the number of bends in a duct run should be kept to a minimum and be gradual and smooth to prevent turbulence. Avoid kinks in flexible ducting; pull flexible ducting taut over straight runs to ensure that the internal surface is as smooth as possible.

4. INSTALLATION

The extractor is designed for installation within a cut-out in the underside of the kitchen ceiling. Alternatively, it may be installed within a lowered area of ceiling or a soffit panel within your furniture – remember though that it is desirable to install directly into the ceiling (see section 3).

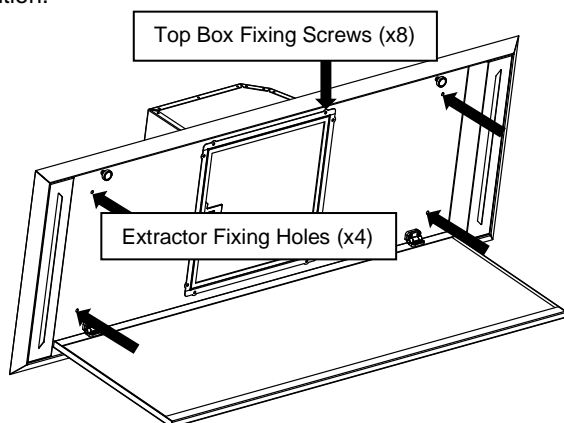
Dimensioned drawings and illustrations to help with your installation can be found on page 8 onwards.

Please note the following.

Ceiling Built-in Unit Stratus Compact Installation, Operating & Maintenance Instructions



- The extractor is made up of two main parts*:
 - The “top box”, which houses the exhaust ducting spigot, grease filter, electrical connection points and any internal motor.
 - The “baseplate”, which is essentially the visible parts when installed, and houses the lights, hinged filter concealment panel and outer frame.
- The Stratus Compact “top box” is easily separated from the baseplate in order to set the required duct spigot position and to ease installation. It is secured via screws accessible only when the filter concealment panel is in the open position.



- The extractor fixing holes are hidden behind the door. Open the door to reveal the four fixing locations.
- **If your extractor is a recirculating model:** (optional extra and not the standard configuration) then adequate provision must be made for exhausted air to return into the kitchen - e.g. ducted out to a ceiling vent sited to minimise uncomfortable draughts. Failure to do so may cause the unit to overheat and fail and will invalidate your warranty.

4.1. Opening the door panel.

The panel is held shut with magnetic catches.

Open the panel by grasping it close to the corners on the catch side (the long edge opposite the hinges) and pull to release the panel from the magnets. Take care not to let the panel fall open freely, it should be supported and moved carefully into the open position. Failure to do so could damage the hinges.

4.2. Separating the “top box” and setting the duct spigot position.

Your extractor exhaust ducting spigot can be set to vent to the left (factory default), right, front or rear.

To vent upwards, you will require a bend in your ducting.

Note: The front of the unit, when installed, is the side with the magnetic catches.

The exhaust position is set by rotating the entire “top box” assembly such that the ducting spigot points in the required direction. This is achieved as follows:

- Suspend the extractor on its back *such that the “top box”* is clear of the ground.
- Open the door panel to reveal the 8 fixing screws securing the “top box” to the “baseplate” and remove the screws.
- Carefully lift the “top box” out of the “baseplate” opening, rotate it to face the required direction and carefully refit it in its new position, taking care not to trap any wires. Secure it with the 8 screws previously removed.

Important: Providing you are making your initial duct connection with a semi-rigid (flexible) duct, then it is actually possible to connect the ducting and refit the “top box” to the “baseplate” after it has been secured in its final position – depending on your site, this may be easier than fitting the complete unit fully assembled (i.e. as one piece).

Important Note

The “top box” will need to be angled during removal and refitting to allow the duct spigot, electrical connection points and any cables (Compact Internal motor version) to clear the opening in the “baseplate”.

Please call Westin if you require any help regarding changing the exhaust position.

4.3. Prepare Opening

Prepare an opening in the ceiling to house the unit (see table below). Reinforce opening as necessary and make suitable provisions for the screws that will hold the unit in place.

Unit Size (mm) (Width x Depth)	Cut-out Size (mm) (Width x Depth)
900 x 440	860 x 400
1200 x 440	1160 x 400
900 x 600	860 x 560
1200 x 600	1160 x 560

The compact nature of the **Stratus Compact** means that, providing the area containing the top box fits into the ceiling void (typically between the joists), joist direction should no longer present a problem. It is usually possible to install the unit (regardless of the joist direction) without having to alter any joists or lower the ceiling*. In most cases the ceiling thickness will suffice for the baseplate height.

Dimensioned drawings and illustrations to help with your preparations can be found on page 8 onwards.

4.4. Ducting

The extractor is provided with a spigot(s) suitable for connecting 150mm round ducting (or equivalent cross section). Ducting must not be reduced.

Note: Failure to adequately fit the ducting stated above will void your written Guarantee under the Standard Guarantee conditions.

Install ducting taking note of the advice given in section 2 & 3.

We recommend using semi-rigid round ducting for this extractor – the initial connection to the extractor spigot must be in semi-rigid (or flexible duct) to allow the entire unit (or top box if fitting separately) to be pushed into position with the duct connected.

Run the ducting such that there is enough to easily reach just beyond the centre point of the extractor, thus allowing for a short length to be pulled through the opening for later connection to the top box spigot. Try to avoid tight bends immediately adjacent to where the top box will be as this will make pushing the unit/top box into position more difficult.

When terminating ducting on an outside wall, a suitable weather louvre should be fitted. Various ducting components and complete kits are available from *Westin* to suit most installations.

If you plan to use expanding foam, make sure that any soft flexible ducting is supported internally to prevent it crushing (or use semi-rigid/rigid ducting where foam is used).

Ceiling Built-in Unit Stratus Compact Installation, Operating & Maintenance Instructions



For roof or chimney duct terminations, please contact Westin or seek alternative specialist advice.

If you are fitting a wall-mounted external motor with semi-rigid or flexible ducting, then you must leave a short length (200mm) of expanded (stretched out) ducting proud of the wall to facilitate connection to the motor spigot before pushing both into position (flush with the wall).

Standard external motors come with a cable assembly and fitted plugs that must pass through the wall and run back to the extractor – usually this passes alongside the ducting so it is recommended to oversize your cut-out by at least 25mm to allow for this and the easy installation of the duct.

4.5. Remote External Wall and Inline Motors

If your extractor has been purchased to operate with a standard inline or external remote motor (SEM), then you will find a black plastic box outside the extractor (on flying leads) containing electrical terminals for connection to the remote motor cable assembly. This box is referred to as the remote motor terminal box.

Run the remote motor cable such that sufficient hangs down through the ceiling opening prepared for the extractor to allow for easy connection to the remote motor terminal box.

Each terminal inside the remote motor terminal box has one side connected to a coloured wire, which leads back to the hood control system. The remote motor cable assembly also has coloured wires and these are connected to the empty terminals. Such corresponding colours are opposite and connect to each other; i.e. red connects to red, blue to blue, and so on.

Not all terminals will be used as each remote motor type is configured differently.

No separate power supply is required for the external motor.

An electrician (or Part P registered electrical installer) should undertake any work associated with the electrical installation of SEM remote motors.

Please refer to the REMOTE MOTOR ILLUSTRATIONS on page 11 for more information.

If you need to extend the remote motor cable, then additional cable can be purchased from Westin. Alternatively, it may be extended using 7 core x 0.5mm flex. It is vital to ensure that any new cable is inserted such that the core colour integrity is maintained; i.e. a core that started as red must terminate as red, blue as blue, purple as purple, and so on.

Any remote motor should be installed in accordance with the installation instructions that accompany it. It must be installed in an easily accessible location for future maintenance. Westin are not responsible for providing the means of access (e.g. scaffolding or any alterations to the building and/or furniture necessary to make access possible) in the event of any maintenance requirement.

4.6. Electrical Installation

**ELECTRICAL HAZARD.
DISCONNECT ELECTRICAL SUPPLY
BEFORE PROCEEDING FURTHER**

The extractor is a stationary appliance supplied with an electrical supply flex and moulded 3 pin UK plug (3A) for connection to the electrical supply.

The appliance must be fed from a 230Vac single phase electrical supply. You may wish to terminate the electrical supply using a standard mains electrical socket positioned close to the extractors intended location.

Alternatively, you may terminate the electrical supply from a switched-fused spur. The spur should be located adjacent to the hood/cooker so that the supply can be disconnected from the hood using the switch. The means of disconnection from the supply must have a minimum contact separation of 3mm in all poles. A competent Part P registered electrical technician must perform the electrical installation.

The mains supply is connected as follows:

INCOMING SUPPLY CORD CONNECTIONS	
Core	Core Colour
Live	Brown
Neutral	Blue
Protective Earth	Green/Yellow

The electrical supply cord on remote motor models can be separated from the extractor to ease installation by unplugging it where it enters the extractor top box.

The electrical supply cord on Stratus Compact Internal EC motor versions cannot be unplugged from the hood control box.

Make sure the switched-fused spur supplying the extractor is in the 'off' position.

For remote motor models, you should now unplug the supply cord from the extractor top box and connect it to the electrical outlet. For Stratus Compact Internal EC motor models, you should connect the control box to the electrical outlet.

The separate electrical control box that comes with Stratus Compact Internal EC motor models can be placed within the ceiling opening so that it is accessible when the appliance is being fixed in position. This control box will later be placed within the opening on top of the extractor baseplate, ceiling or furniture soffit depending upon your cut-out layout. You should plan now where the control box will sit as it is important to position it so as not to obstruct the top box and ducting when fitted and to ensure that the pushbuttons cannot be pressed when the unit is installed – these are for factory/engineer programming and function testing.

4.7. Fixing the Extractor in Position

Please note the following prior to commencing fixing the extractor in position:

- You will need at least 2 people to fit this extractor; to lift, hold and fix the unit in position.
- A working platform or scaffold should be used so that the ceiling opening can be reached and the unit fixed without the use of ladders.
- Screws for fixing the extractor into position are not provided. You must use suitable fixings capable of supporting 30kg.

If you are screwing into timber, then you should use screws no smaller than 5mm (No 10) with a head diameter of 10mm or more and ensure that at least 35mm of thread is screwed into the timber and that the timber will not split when the screws are inserted.

- Whether you are fitting the unit with the top box attached or as two separate items, the entire unit or top box will need supporting close to the opening when attaching the ducting and making electrical connections – do not be tempted to install excessive ducting as this will impair performance.

As described earlier, a length of semi-rigid ducting protruding a short distance through the centre of the ceiling opening is sufficient for the final connection to the extractor spigot. This will allow the unit or top box to be fixed into position with the duct connected and prevents excessive

Ceiling Built-in Unit Stratus Compact Installation, Operating & Maintenance Instructions



lengths of flexible ducting being pushed into the opening and the resultant losses in efficiency which that would cause (see section 3).

In addition to being able to fit the top box after the baseplate, remote motor models allow you to unscrew and withdraw the spigot into the unit. Whilst this should not be necessary, it is worth noting as it may help you overcome difficulties, particularly if your ducting has been cut too short as you will be able to attach it to the spigot from inside the extractor.

You must consider and allow for the unit having to be taken down should future servicing be required.

You will need to decide whether you wish to fix the extractor in position fully assembled or with the top box separated.

4.7.1. Fixing the extractor in position

If you have not already done so, set the top box to duct out in the required direction, as described in section 4.2, and reveal the corner fixing holes (behind the door panel), as described in section 4.3.

**ELECTRICAL HAZARD.
DISCONNECT ELECTRICAL SUPPLY
BEFORE PROCEEDING FURTHER**

- If using a remote motor, connect it now as described in 4.6. The illustrations on page 10 will help you.

Make sure that the power lead is connected to the electrical supply outlet (plugged in) and that the power supply is switched off (switched-fused spur in 'off' position).

Support the extractor just below the prepared cut-out so that the spigot is accessible and attach the ducting to the spigot using suitable clamps or straps (available from Westin). Do not use duct tape as the only means of fixing.

- Push the extractor up into the cut-out, taking care not to crush or introduce excessive bends/kinks in the ducting and making sure that no wires are trapped or damaged in the process.

Note: If the duct or any wires are trapped, then you must lower the extractor and make corrections to the cut-out area as necessary before fixing the appliance in position.

Secure the extractor in place using suitable fixings (not supplied) through one fixing hole in each corner of the baseplate.

If you experience any difficulties, please call Westin for advice.

5. SPECIFICATIONS

All Models	
Supply voltage:	230V~ 50Hz
LED lamp voltage:	12V
LED lamp power:	2 x 7.3W
Recommended fuse size for electrical supply:	3A
Extractor Duct spigot diameter:	150mm
Stratus Compact with Internal EC220 Motor	
Motor airflow in free air:	800 m ³ /hr
Motor power input:	150W
Stratus Compact with SEM1 EL Inline Motor	
Motor airflow in free air:	800 m ³ /hr
Blower power input:	275W
Stratus Compact with SEM2 EL External Wall Motor	
Motor airflow in free air:	900 m ³ /hr
Motor power input:	200W
Stratus Compact with SEM7 EL External Wall Motor	
SEM7 airflow, in free air: 150mm Dia Duct	1,500 m ³ /hr
Motor power input:	490W

<i>The SEM7 has a 200mm spigot and is supplied with a reducer for connection to 150mm ducting. Motor performance is higher than above with 200mm ducting.</i>	
Stratus Compact with SEM8 EL Inline Motor	
SEM8 airflow, in free air: 150mm Dia Duct	1,100 m ³ /hr
Motor power input:	250W
<i>The SEM8 has a 200mm spigot and is supplied with a reducer for connection to 150mm ducting. Motor performance is higher than above with 200mm ducting.</i>	
Stratus PLUS with Internal Motor	
Motor airflow in free air:	800 m ³ /hr
Motor power input:	275W

For more detailed specification and energy efficiency information, please refer to the product fiche for your product

6. MAINTENANCE

Regular maintenance is essential to ensure good performance and long-life. To minimise the risk of fire, all instructions relating to cleaning the grease filters and removing grease deposits must be adhered to

To maintain the immaculate appearance of the extractor, and to minimise fire risk, ensure that grease deposits on the extractor surfaces are kept to a minimum by regular cleaning.

To clean the stainless-steel surfaces of the extractor, use a soft cloth and a suitable cleaning agent, such as a specially produced stainless-steel cleaner or washing up detergent and warm water.

Painted surfaces should be cleaned using a soft cloth, detergent and warm water.

Glass surfaces should be cleaned with a suitable glass cleaning agent.

- **Do not use abrasive cleaning materials or products.**
- **Do not use bleach-based cleaning materials or products.**

Clean the grease filter in a dishwasher or by hand-washing in hot water and detergent every 2 months - sooner if the extractor is used extensively and filters become grease laden.

Whilst you can expect years of service from mesh grease filters, they are considered a consumable item and may deteriorate over time and need replacement, particularly when cleaned in a dishwasher. For dishwasher users adhering to a 2 monthly cleaning interval, we recommend grease filter replacement every 5 years to maintain optimum performance, even if they show no visible signs of deterioration. For all users, filters should be replaced whenever they exhibit signs of physical wear.

Accessing the filter(s) and baseplate

The panel is held shut with magnetic catches.

Open the panel by grasping it close to the corners on the catch side (usually the long edge opposite the hinges) and pulling to release the panel from the magnets. Take care not to let the panel fall open freely, it should be supported and lowered carefully into the open position.

Replacing the Lamps.

LED lamp replacement needs to be done by the Westin After-Sales Team, so please contact us for further information.

Ceiling Built-in Unit Stratus Compact Installation, Operating & Maintenance Instructions



4. OPERATING INSTRUCTIONS

Radio Remote Controlled Models

- Switch on the power at the fused spur.
- Then Immediately turn on the remote control (⏻).
- Then immediately press and hold (☼) until the lights illuminate.

Should the extractor fail to respond to commands from the remote-control, please check that the power is 'on' and the internal appliance reset switch is in the 'ON' position (factory default). The reset switch is a latching red push-switch located in the chamber behind the door panel / filter.

If you experience interference problems, or the remote appears to be faulty from new, then a different radio transmission code may be required. Refer to the instruction leaflet included with the remote control regarding transmission code changes before seeking assistance.

Refer to the instruction leaflet included with the radio remote control regarding pairing the device, transmission codes and factory reset procedures.

Other Control Systems

Because this is a custom-made product, an alternative control system may have been specified during the design phase.

Most commonly this alternative control system will be a continuously variable rotary fan speed controller plus light control mounted on the extractor (usually the baseplate). With most such control systems, you will find on/off switches for the fan and lights and a rotating knob to adjust the fan speed. Sometimes the switch and knob are combined into a single unit, like a domestic lighting dimmer switch, which is pressed for on/off function and turned for speed.

In some cases, the fan control may have been specified as a separate item that does not form part of the extractor (e.g. a wall mounted controller). Such controllers may have been supplied by Westin or a third party and are not covered by this manual.

If you are unsure how to operate your unit then please call Westin for assistance

Remote Control Functions

The diagram shows a vertical remote control panel with the following components labeled:

- LCD Display**: A small digital display at the top.
- Light Function (If Option Fitted)**: A button with a sun icon.
- Run-On Timer (Motor OFF After 10 Minutes) (To cancel, select different fan speed)**: A button with a clock icon.
- Increase Speed****: A button with a plus sign (+).
- Decrease Speed****: A button with a minus sign (-).
- Motor Power ON/OFF**: A button with a power icon (⏻).

** The automatic speed reduction feature is required by EU Ecodesign and Energy Labelling Commission Legislation 65/2015 66/2014 in order to satisfy Directive 2009/125 EC*

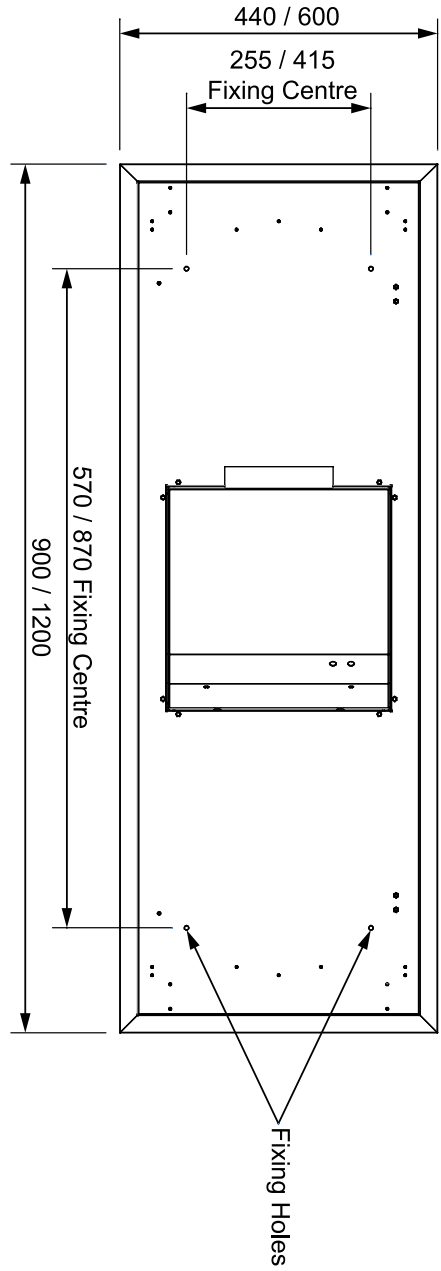
The appliance will automatically switch off if there has been no operator action for 4 hours.

W S Westin Ltd
Phoenix Mills, Leeds Road, Huddersfield, HD1 6NG, UK
Tel: 01484 421585 Fax: 01484 432420 Email: sales@westin.co.uk
www.westin.co.uk

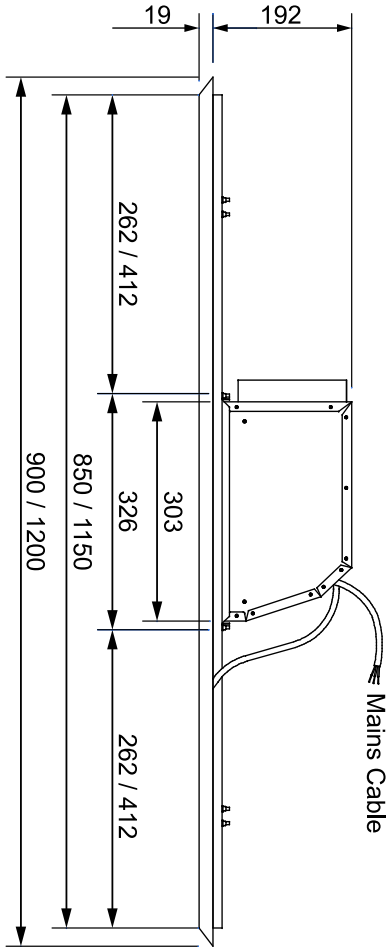


Ceiling Built-in Unit Stratus Compact Installation, Operating & Maintenance Instructions

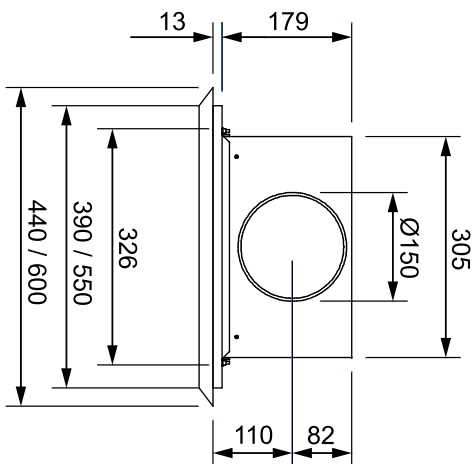
Stratus Compact (Internal Motor) 2D Drawing



TOP VIEW



FRONT VIEW



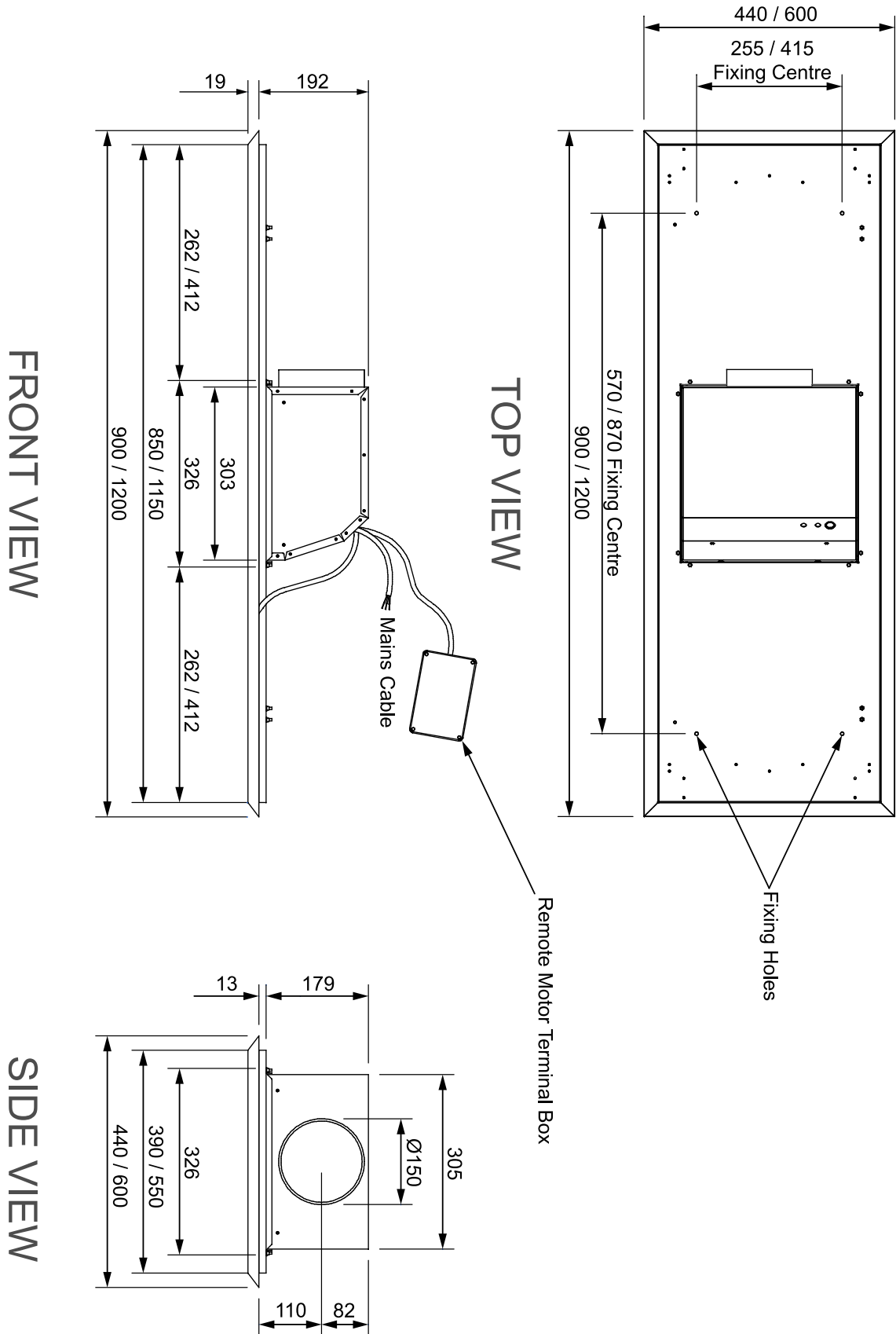
SIDE VIEW

Cutout Details: 900mm Version = 860mm x 400mm / 560mm
Cutout Details: 1200mm Version = 1160mm x 400mm / 560mm
Spigot Size: Ø 150mm
Outlet Direction: Left, Right, Front, Rear



Ceiling Built-in Unit Stratus Compact Installation, Operating & Maintenance Instructions

Stratus Compact (External Motor) 2D Drawing

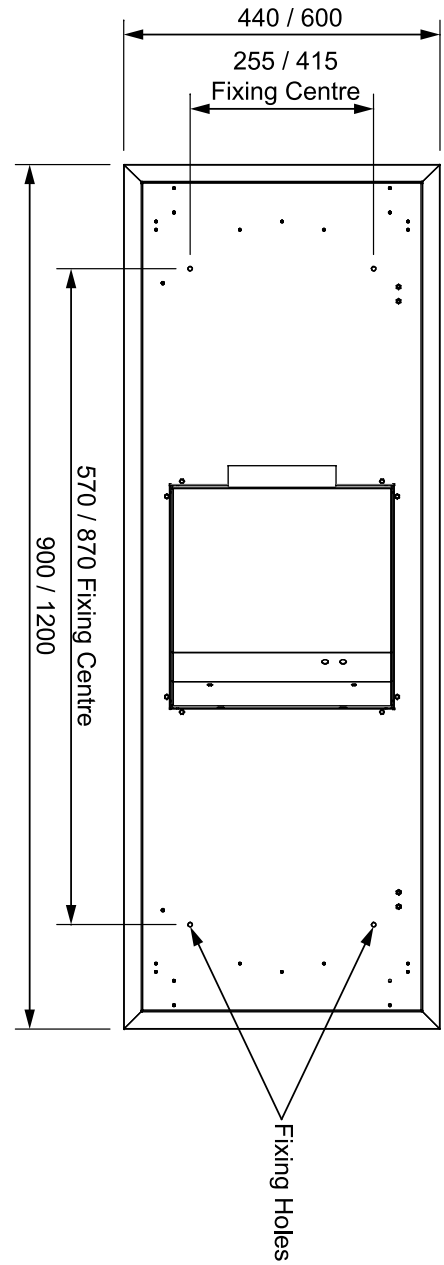


Cutout Details: 900mm Version = 860mm x 400mm / 560mm
Cutout Details: 1200mm Version = 1160mm x 400mm / 560mm
Spigot Size: $\text{Ø}150$ mm
Outlet Direction: Left, Right, Front, Rear

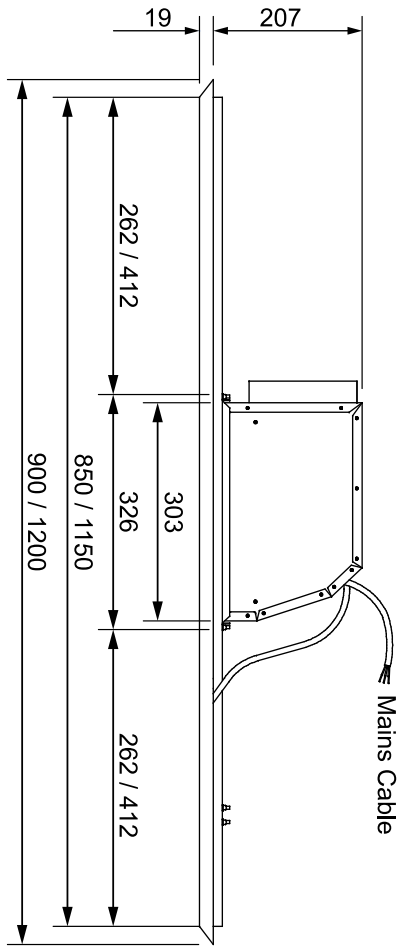


Ceiling Built-in Unit Stratus Compact Installation, Operating & Maintenance Instructions

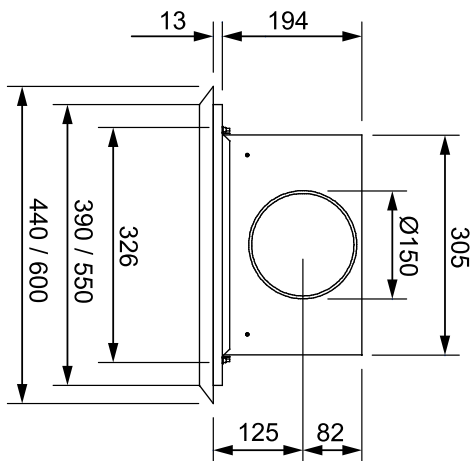
Stratus Compact (Recirculating Option) 2D Drawing



TOP VIEW



FRONT VIEW



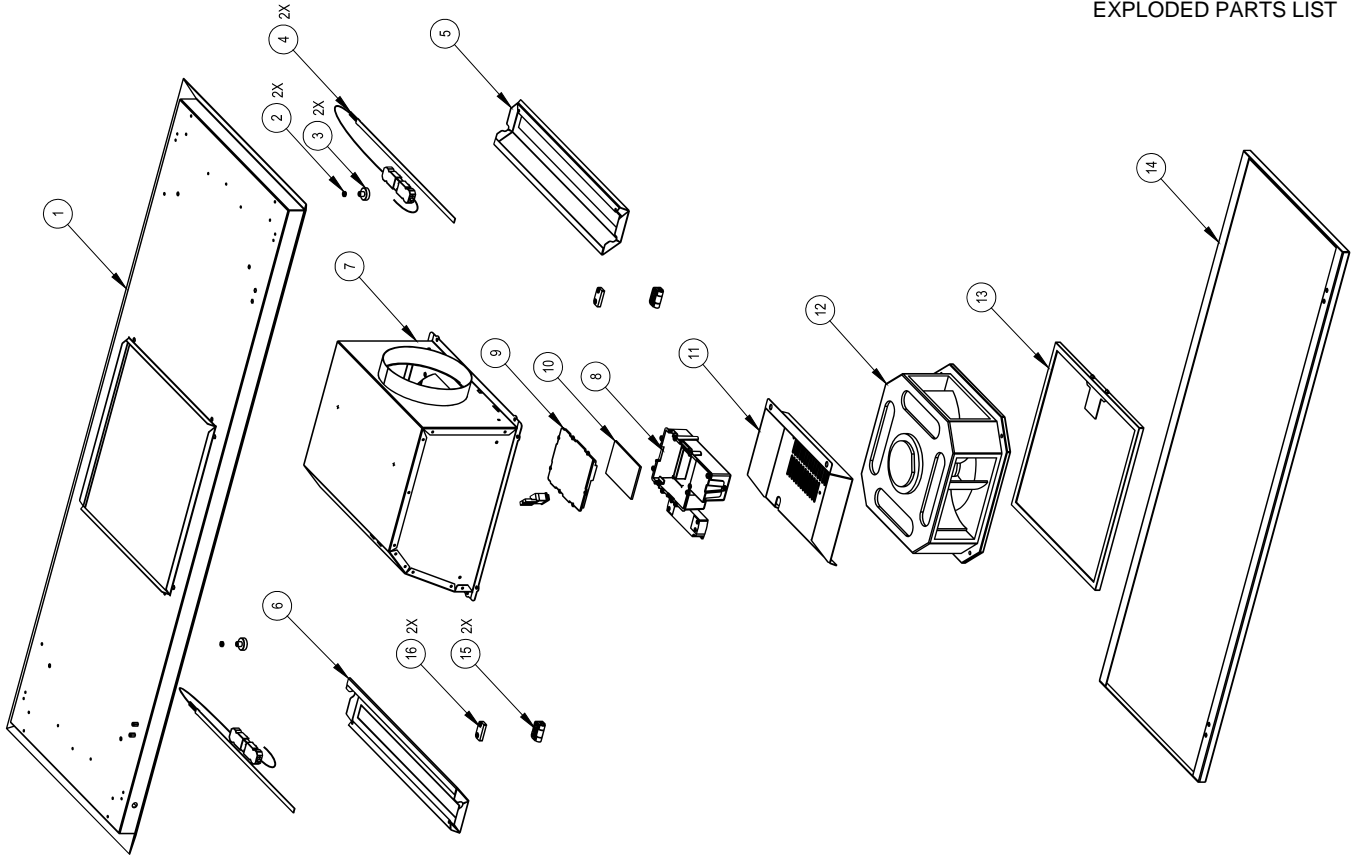
SIDE VIEW

Cutout Details: 900mm Version = 860mm x 400mm / 560mm
Cutout Details: 1200mm Version = 1160mm x 400mm / 560mm
Spigot Size: Ø 150mm
Outlet Direction: Left, Right, Front, Rear

Ceiling Built-in Unit Stratus Compact Installation, Operating & Maintenance Instructions



STRATUS COMPACT LAYOUT INTERNAL MOTOR EXPLODED PARTS LIST

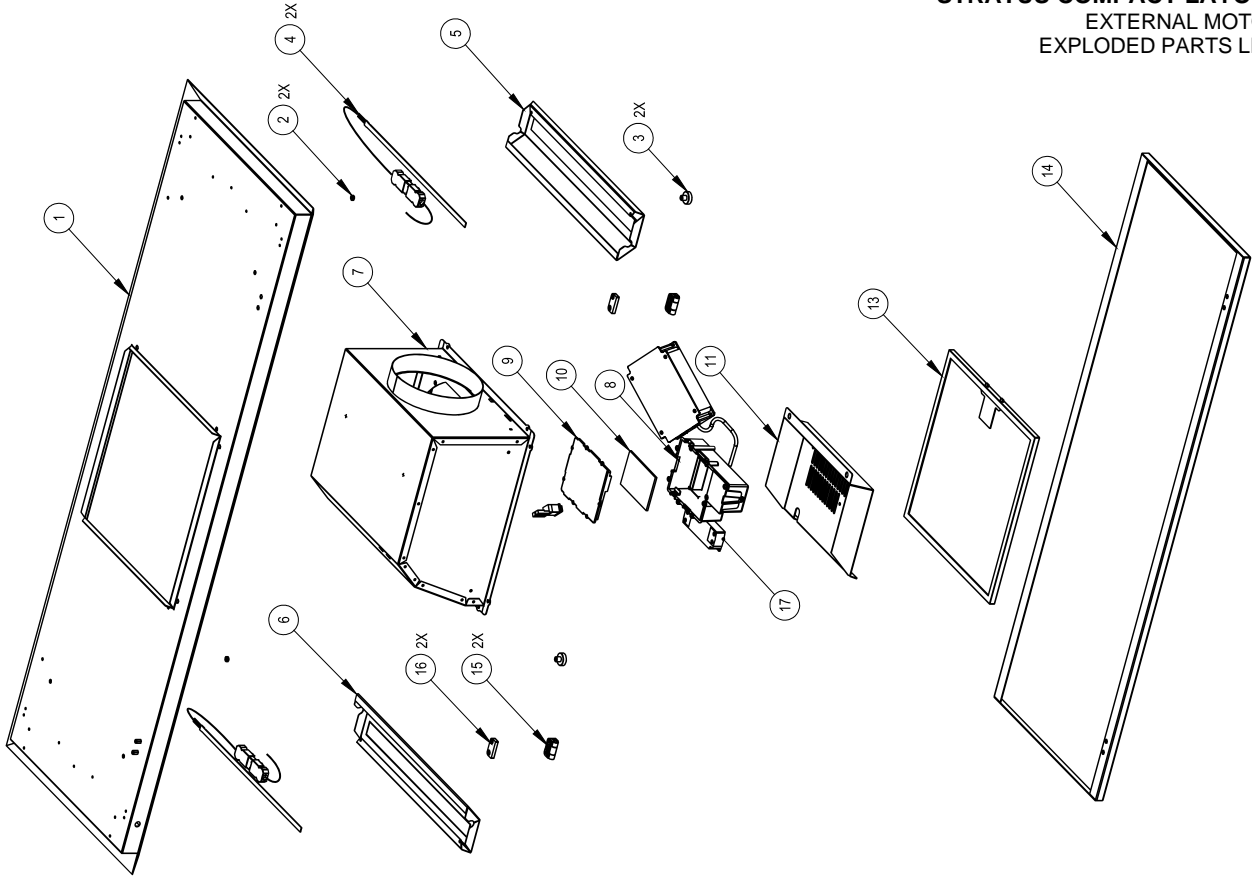


NO.	Part Name	Part Number	Notes & Special Ordering Instructions
1	Extractor Base Plate	Made to Order	State Hood Length & Width & Colour Finish
2	Door Magnet Washer	Made to Order	State Quantity
3	Door Magnet	W1107	State Quantity
4	LED Strip	W2238	Non-User Servicable
5	Light Pod (Right)	Made to Order	State Hood Width
6	Light Pod (Left)	Made to Order	State Hood Width
7	Extractor Top Box	Made to Order	
8	Circuit Board Housing	*W0419 - *W0421 - *W0422	
9	Circuit Board Housing Lid	*W0420	
10	Circuit Board	W2191	
11	Gear Tray	Made to Order / W2236	
12	EC Fan	W1805	
13	Grease Filter	W2022	
14	Door	Made to Order	State Hood Length & Width & Colour Finish
15	Door Hinge	W1780 Black / W1779 White	State Quantity
16	Hinge Spacer	W2237	State Quantity
17	LED Driver	W1531	
	Complete Motor Assembly	W2017	*Parts included with assembly
	Remote Control	W1798	

Ceiling Built-in Unit Stratus Compact Installation, Operating & Maintenance Instructions



STRATUS COMPACT LAYOUT
EXTERNAL MOTOR
EXPLODED PARTS LIST



NO.	Part Name	Part Number	Notes & Special Ordering Instructions
1	Extractor Base Plate	Made to Order	State Hood Length & Width & Colour Finish
2	Door Magnet Washer	Made to Order	State Quantity
3	Door Magnet	W1107	State Quantity
4	LED Strip	W2238	Non-User Servicable
5	Light Pod (Right)	Made to Order	State Hood Width
6	Light Pod (Left)	Made to Order	State Hood Width
7	Extractor Top Box	Made to Order	
8	Circuit Board Housing	*W0419 - *W0421 - *W0422	
9	Circuit Board Housing Lid	*W0420	
10	Circuit Board	*W1836	
11	Gear Tray	Made to Order / W2236	
13	Grease Filter	W2022	
14	Door	Made to Order	State Hood Length & Width & Colour Finish
15	Door Hinge	W1780 Black / W1779 White	State Quantity
16	Hinge Spacer	W2237	State Quantity
17	LED Driver	W1531	
	Complete Motor Assembly	W1789	*Parts included with assembly
	Remote Control	W1798	

Ceiling Built-in Unit Stratus Compact Installation, Operating & Maintenance Instructions



7. SEM EL Remote Motor Illustrations

The wiring illustrations below apply to SEM EL Motors only.

The below diagram shows a typical SEM EL wiring schematic. The appliance is supplied with an external terminal box that requires connecting to the external motor.

In order to access the electrical terminals, remove the fixing screws from the external terminal box lid. Refer to fig. 2 & 3 for details of how to wire the SEM 1/2 or SEM 7/8 correctly.

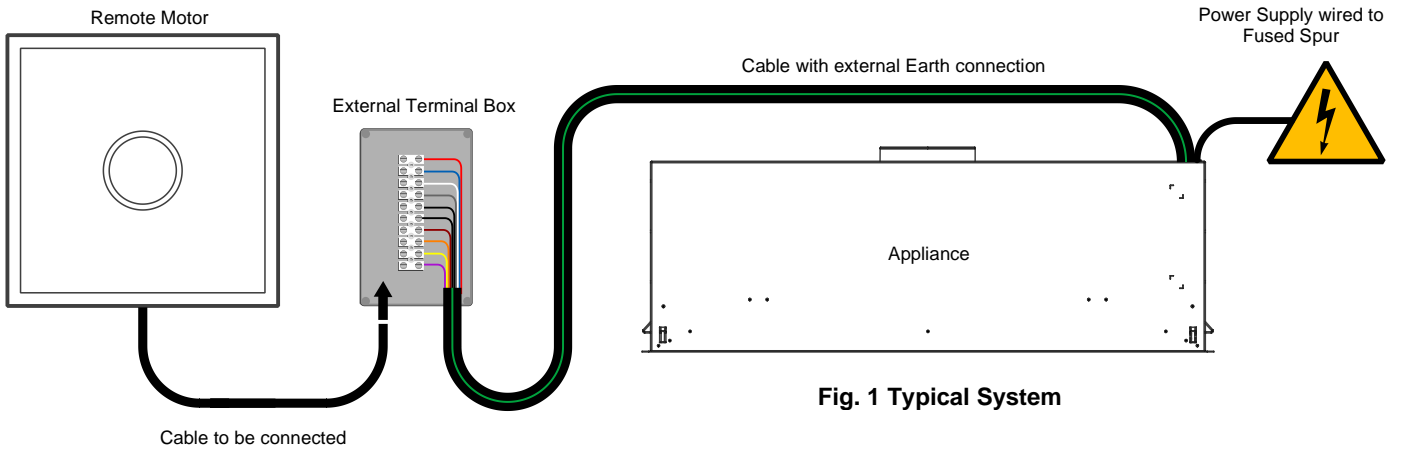


Fig. 1 Typical System

Fig. 2 Terminal Colour Positions

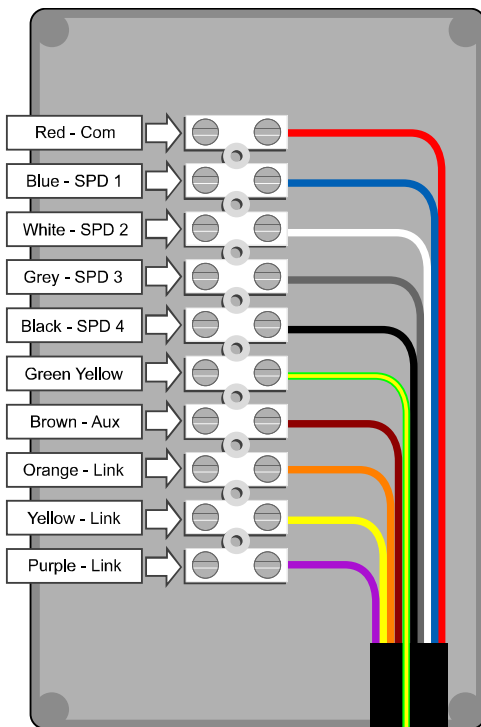
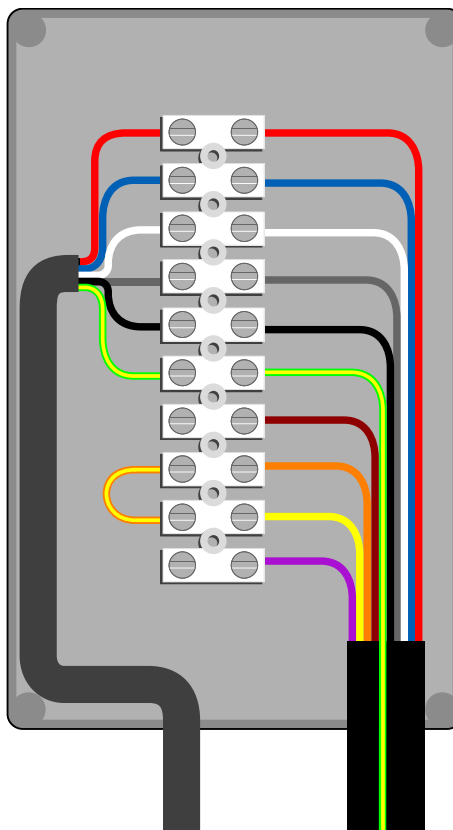
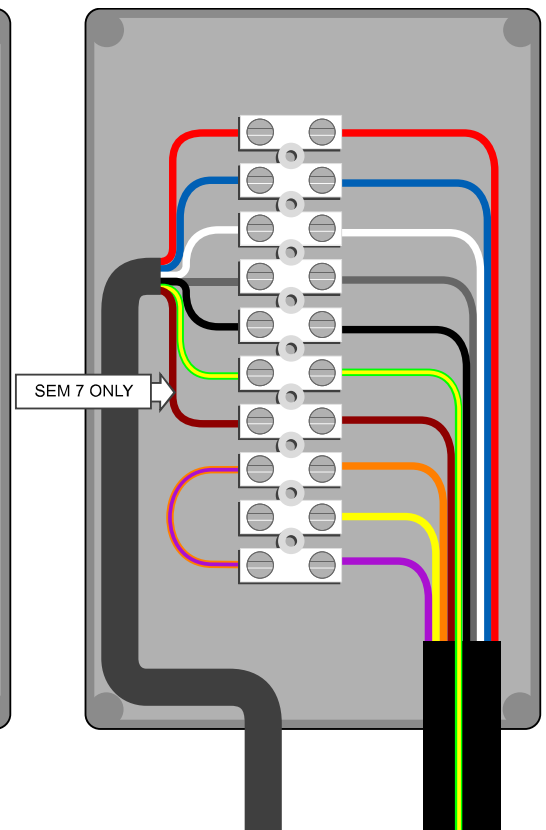


Fig. 3 SEM 1 / SEM 2
Electrical Connections



Remote Motor Cable Assembly
Orange/Yellow link wire is included

Fig. 4 SEM 7 / SEM 8
Electrical Connections



Remote Motor Cable Assembly
(Orange/Purple link wire is included)

Note:
Link terminals determine intensive speed run times, which are motor type dependent.
Aux terminal powers auxiliary PCB in some motors.

Ceiling Built-in Unit Stratus Compact Installation, Operating & Maintenance Instructions



STANDARD GUARANTEE CONDITIONS

Westin Ltd undertakes that if within 24 months of the date of delivery this product or any part thereof is proved to be defective by reason only of the faulty workmanship or materials, the company will, at our option, repair or replace the same FREE OF ANY CHARGE for labour, materials or carriage on condition that:

1. The product has been correctly installed and used only on the electrical supply stated on the rating plate.
2. The product has been used for normal domestic purpose only, and in accordance with the manufacturer's operating and maintenance instructions.
3. The product has not been serviced, maintained, repaired, taken apart or tampered with by any person not authorised by us.

EXCLUSIONS

This Guarantee does not cover:

- Damage or calls resulting from incorrect installation, transportation, improper use or neglect, the replacement of any light bulbs or removable parts of glass or plastic.
- Costs incurred for calls to put right appliances improperly installed or calls to appliances outside the United Kingdom.
- Normal wear and tear.
- Products deemed to be in use within a commercial environment.
- Grease filter mesh.
- Bulbs and LEDs.
- Consumables.
- Damage caused to the body by usage of detergent sprayer or other contaminants.
- Damage or corrosion of the LED parts, glass parts and stainless-steel parts.
- Damage caused by foreign objects or accident.
- Any products taken apart or serviced by unauthorised individuals or service engineers or replaced with other manufacturer's components.
- Product not installed with the correct size ducting as stated in the manual.

This Guarantee is in addition to your statutory and legal rights.

Please see our website www.westin.co.uk for details of our Conditions of Sale and to register your guarantee.