



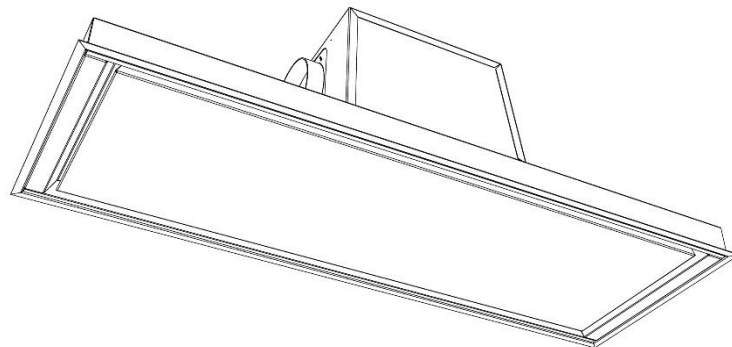
# WESTIN

## STRATUS BLADE

### Ceiling Built-in Unit

#### Installation, Operation and Maintenance

INTRODUCTION	1
IMPORTANT INFORMATION	1
EXTRACTION PERFORMANCE	1
INSTALLATION	2
SPECIFICATIONS	4
OPERATING INSTRUCTIONS	5
MAINTENANCE	5
ILLUSTRATIONS	6
GUARANTEE	9



#### Unpacking

Remove all items from the packaging. Retain the packaging. If items are missing or damaged, please contact Westin for assistance.

# Ceiling Built-in Unit: STRATUS BLADE (Internal Motor Version) Installation, Operating & Maintenance Instructions



## 1. INTRODUCTION

During the cooking process, there will be heat, vapours and fumes produced. Your *Westin Ceiling Extractor* has been designed to complement your kitchen both in looks and performance in order to create a good environment for creative cooking.

## 2. IMPORTANT INFORMATION

The exhaust air must not be discharged into a flue which is used for exhausting fumes from appliances supplied with energy other than electricity e.g. oil- or gas-fired central heating boilers, gas-fired water heaters, etc.

Requirements of the relevant authorities concerning the discharge of exhaust air must be complied with.

### WARNING.

Proper care must be taken to ensure that the negative pressures caused by high performance extraction systems do not adversely affect the safe operation of certain types of fuel-burning appliances (gas, oil or solid fuel), including those installed in the kitchen and possibly also those installed in other parts of the house.

Where such fuel-burning appliances are installed, adequate ventilation **MUST** be provided in the room of installation, located and sized such that the negative pressure in the room created by the extractor does not exceed 4Pa.

In case of doubt, do not operate the extractor and fuel-burning appliance(s) simultaneously and consult an appropriate (for the fuel type) expert for advice.

### ELECTRICAL SAFETY.

This appliance requires an earth connection.

Ensure that the supply voltage corresponds to that marked on the rating label inside the extractor.

The extractor must be isolated from the electrical supply before carrying out any cleaning or maintenance operations.

Pay particular attention to fire risk when frying. To minimise the risk of fire, all instructions relating to cleaning the grease filters and removing grease deposits must be adhered to.

Do not flambé under the extractor.

The clearance between the hob burners and the bottom surface of the extractor must be at least 750mm to prevent overheating of the extractor and its components.

Please also note that a 90° bend in flexible ducting will require 215mm minimum headroom to give a smooth radius with no kinking.

You are advised to install measures designed to reduce the incidence of cold draughts entering the property via any ductwork.

- For extractors with internal motors, an external duct termination with integrated non-return flaps (e.g. gravity shutter wall grille/louvre) should be used.

## 3. EXTRACTION PERFORMANCE

As its name suggests, this type of extractor is designed to fit into the ceiling void, with only the underside and outer flange visible when installed.

Because fumes spread out as they rise, a unit larger than the hob area is desirable, although not always possible. The perimeter extraction system is designed to conceal the grease filters and to minimise fume escape. Warm cooking fumes that do escape tend, initially, to accumulate in the highest part of the room, so situating the unit at the highest point is of benefit. It will perform best when it is situated directly over the hob.

The primary influence on the overall performance of the extractor is the design of the ducting which takes the exhaust air from the extractor to the outside. The duct route should be a prime consideration during the initial stages of the kitchen design.

**Please note the following:**

- Easy access to the duct route during installation is important. Lack of access may require the "blind" fitting of flexible ducting, with increased risk of unseen kinks and impaired efficiency.

- **The extractor is provided with a spigot(s) suitable for connecting 150mm round ducting (or equivalent cross section). Ducting must not be reduced.**

**Note: Failure to adequately fit the ducting stated above will void your written Guarantee under the Standard Guarantee conditions.**

- The most efficient configuration is to duct straight through an outside wall, so try to position the cooker close to an outside wall when designing your kitchen.
- For maximum efficiency, ducting should be kept as short as possible and as straight as possible with a constant cross-sectional area being no less than that recommended by Westin. Bends in the duct will also degrade performance so the number of bends in a duct run should be kept to a minimum and be gradual and smooth to prevent turbulence. Avoid kinks in flexible ducting; pull flexible ducting taut over straight runs to ensure that the internal surface is as smooth as possible.
- If your duct route is straight but exceeds 7m in length, or exceeds 5m with three bends, then please consult with Westin as to the suitability of this hood for your application because performance will be significantly degraded.
- **Your extractor can be set to vent to the rear, front, left or right.** Use the exhaust position which gives the shortest achievable duct route and least number of bends. Joist positions will often determine what is achievable.
- Rigid 150mm round ducting or 220 x 90 flat channel ducting (available from *Westin*) will perform best. Semi-rigid round duct (not flexible foil or PVC) is a reasonable alternative and can be formed into bends as necessary. Flexible ducting is economical but its use should be minimised as it gives the worst performance and should only be used for the initial connection between the hood and your fixed ductwork or very short runs and be pulled taut over straight runs to prevent significant losses in extraction efficiency.
- Good quality duct tape (not included) should be used instead of sealant or adhesive to seal duct components so they can be separated should that become necessary.

## 4. INSTALLATION

# Ceiling Built-in Unit: STRATUS BLADE (Internal Motor Version) Installation, Operating & Maintenance Instructions



The extractor is designed for installation within a cut-out in the underside of the kitchen ceiling. Alternatively, it may be installed within a lowered bulkhead or furniture soffit panel, but remember it is desirable to install directly into the ceiling where possible (see section 3).

**Dimensioned drawings and illustrations to help with your installation can be found on page 6 onwards.**

## Please note the following:

- The extractor comprises two main parts:
  - The “top box”, which houses the duct spigot, hood electronics and motor (fan).
  - The “baseplate”, which houses the visible parts of the product when installed, such as LED light bars, grease filters, door panel assembly and outer frame.
- The Duct Spigot Position can be changed, allowing you to set the extractor outlet to face to the Left, Right, Front, or Rear. This is achieved by repositioning the “top box”, which can be rotated in 90° increments.

The ducting spigot must be set to face the required direction prior to installation.

- The extractor has four hidden fixing holes, accessible via 20mm access holes set into the baseplate corners. These can only be accessed with the door panel open.

Black cover caps are provided which press into and close off the fixing hole access points after installation.

## 4.1. Prepare Your Opening

Prepare the opening into which the unit will be installed.

Unit Size (mm) (Width x Depth x Height)	Cut-out Size (mm) (Width x Depth x Height)
1180 x 420 x 290	1160 x 400 x 295

**Please refer to the drawings on Pages 6 - 8 for the detailed product design information you will need to plan and build a suitable opening.**

Reinforce the opening as necessary and make sure suitable provisions are made to take the screws which will hold the unit in place (see below) and for any ductwork to pass through.

### The provisions made for the screws which will support the extractor:

- **Must be strong enough to support a total weight of 30Kg**
- **Must be recessed so that the surface you screw into is 70mm above the finished ceiling surface**

*Tip: Because much of the baseplate only intrudes into the ceiling by 62mm, for installations where the unit runs across joists or ceiling voids are insufficient, consider whether the ceiling can be lowered slightly to avoid boxing down or complex joist alterations.*

## 4.2. Ducting Requirements and Duct Installation

Depending upon your site, ducting may need installing before or in conjunction with the preparation of your ceiling opening.

**For the majority of your duct run, we recommend using rigid round 150mm diameter ducting or rigid 220x90mm flat channel ducting**, although semi-rigid round 150mm duct is also acceptable.

**The initial connection to the extractor spigot must be in semi-rigid or flexible duct**, to allow the unit to be installed with the duct connected, so the first part of your duct should be flexible (up to 1m).

This is important because these extractors are usually blind-fitted and must be removable without disturbing the fixed ductwork, should servicing become necessary.

When terminating ducting on an outside wall, a suitable weather louvre should be used. Ducting components and complete kits are available from *Westin* for most installations.

For roof or chimney duct terminations, please contact *Westin* or seek alternative specialist advice.

**Illustrations showing the ducting arrangement needed to allow connection of the hood to your ductwork can be found on pages 7 - 8**

## Proceed as follows:

- Install ducting in accordance with the advice given in section 2 & 3.

*Tip: We recommend oversizing duct holes by at least 25mm to allow for any cables that may need to pass alongside and for easier duct installation.*

- Terminate in the kitchen with flexible or semi-rigid ducting reaching to a point just beyond the centre of the ceiling opening, thus allowing for a short length to hang down through the opening for later connection to the top box spigot (see illustrations on pages 7 and 8).

Try to avoid tight bends immediately adjacent to where the top box will be as this will make pushing the unit into position more difficult.

## 4.3. Opening the door panel.

The door is held shut with magnetic catches.

Open the door by grasping it close to the front corners (the front being the long edge closest to the magnets) and pulling to release it from the magnets. Take care not to let the door fall open freely, it should be supported and moved carefully into the open position.

## 4.4. Revealing the Fixing Holes.

The extractor is secured through 4 fixing holes located close to each corner of the upper baseplate surface. These are accessible via 20mm access holes set into the lower baseplate surface (see diagrams on Page 6 Onwards for detail).

The fixing holes are only accessible with the door panel open.

Black cover caps are provided which press into and close off the fixing hole access points after installation. If these are already installed, they can be pulled out to reveal the fixing holes behind.

# Ceiling Built-in Unit: STRATUS BLADE (Internal Motor Version) Installation, Operating & Maintenance Instructions



## 4.5. Changing the Duct Spigot Outlet Direction.

Your extractor ducting spigot can be set to vent to the Left (factory default), Right, Front or Rear.

*Note: The front of the unit is the side closest to the magnetic catches.*

*There is no top outlet, so if you wish to vent upwards, you will need to put a bend in your ducting.*

**Please refer to the diagram on Page 6 for further help changing the duct spigot outlet direction**

**To change the duct outlet direction, proceed as follows:**

- Carefully place the extractor on its top so that the door panel faces upwards.
- Open the door panel (see 4.3) and remove the grease filters to reveal the top-box opening.
- You can now see into the top-box opening and will see two rows of three screws next to the left and right edges of the top-box. These screws secure the top-box to the baseplate.

Remove the 6 screws securing the top-box to the baseplate.

- Carefully lift the baseplate slightly away from the top box and rotate it so that the motor spigot faces the required direction (in relation to the baseplate).

The 6 fixing holes in the baseplate will align with captive nuts set into the top-box fixing flange every full 90° of rotation.

As you rotate the baseplate, you will note the wire which powers the lamps is still connected (tethering the two parts together) this is intentional. You can extend or shorten the lamp wire by carefully pulling more out from, or pushing more into, the hole where it enters the baseplate. Sufficient wire is stowed within the baseplate to allow it to be neatly routed around the perimeter of the top-box opening in any possible outlet position.

- Place the baseplate back onto the top-box with the 6 fixing holes aligned with their corresponding captive nuts, taking care not to trap the lamp wire as you do so, and secure the top-box to the baseplate using the screws you removed earlier.

## 4.6. Electrical Installation

**ELECTRICAL HAZARD.  
DISCONNECT ELECTRICAL SUPPLY  
BEFORE PROCEEDING FURTHER**

The extractor is a stationary appliance supplied with an electrical supply flex and moulded 3 pin UK plug (3A) for connection to the electrical supply.

**The appliance must be fed from a 230Vac single phase electrical supply.** You may wish to terminate the electrical supply using a standard mains electrical socket positioned close to the extractors intended location.

Alternatively, you may terminate the electrical supply from a switched-fused spur. The spur should be located adjacent to the hood/cooker so that the supply can be disconnected from the hood using the switch. The means of disconnection from the supply must have a minimum contact separation of 3mm in all poles. A competent Part P registered electrical technician must perform the electrical installation.

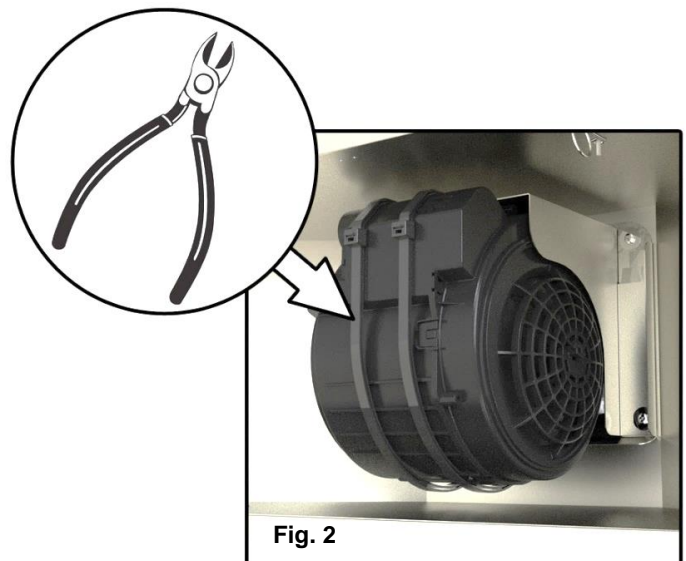
The mains supply is connected as follows:

INCOMING SUPPLY CORD CONNECTIONS	
Core	Core Colour
Live	Brown
Neutral	Blue
Protective Earth	Green/Yellow

Make sure the switched-fused spur supplying the extractor is in the 'off' position before connecting the appliance to the electrical supply.

## 4.7. Removing the Motor Transport Ties (If Fitted) (see fig.2)

*Note: Transport Ties are only used on smaller appliances to protect the motor during unpalletised transit.*



# Ceiling Built-in Unit: STRATUS BLADE (Internal Motor Version) Installation, Operating & Maintenance Instructions



## 4.8. Fixing the Extractor in Position

Please note the following prior to commencing fixing the extractor in position:

- You will need at least two people to fit this extractor; to lift, hold and fix the unit in position. A third person is recommended to assist.
- A working platform or scaffold should be used so that the ceiling opening can be reached and the unit fixed without the use of ladders.
- Screws for fixing the extractor into position are not provided. You must use suitable fixings capable of supporting 30kg.

If you are screwing into timber, then you should use screws no smaller than 5mm (No 10) with a head diameter of 10mm or more and ensure that at least 35mm of thread is screwed into the timber and that the timber will not split when the screws are inserted.

- The unit will need supporting close to the opening when attaching the ducting and making electrical connections.

As described in 4.2 (Ducting Requirements), ducting should have been installed so that a flexible portion is present in the ceiling opening.

**When planning and undertaking your installation, you must ensure the extractor can be removed without disturbing fixed ducting or electrical installations should future servicing be required.**

- Make sure the duct spigot is in the correct position and that the fixing holes do not contain the blanking inserts.
- Do not remove protective tape until after the installation.

### Proceed as follows:

- Carefully place the extractor on its face with the top box assembly uppermost, so electrical supply wire and duct spigot are visible.
- **Support the extractor close enough to the prepared opening to make the electrical and duct connections.**

**ELECTRICAL HAZARD.  
DISCONNECT ELECTRICAL SUPPLY  
BEFORE PROCEEDING FURTHER**

- **Connect the electrical supply cord of the extractor to the electrical supply spur.**
- **Angle the extractor so the spigot faces the flexible portion of ducting and secure the duct to the spigot using suitable clamps, straps or high-quality duct tape.**

Be careful when lifting the extractor not to hold onto or otherwise apply force to the door. To do so may damage the door.

- **Carefully open the door so the fixing holes are accessible. Depending on your site conditions, you may find this easier after the extractor is fully inserted (see next step).**
- **Now carefully lift the extractor up into position, so it is fully inserted within the opening (and tight against the ceiling), feeding in any loose wires and ducting as you go. Take care that no wires or ducting are trapped or damaged in the process.**

*Note: If the duct or any wires are trapped, then you must lower the extractor and make corrections to the cut-out area as necessary before fixing the appliance in position.*

- **Secure the extractor in place using suitable fixings (not supplied) through the fixing holes in each corner of the baseplate.**
- Insert the black cover caps to close off the fixing hole access points.
- Refit filters and close the door panel.

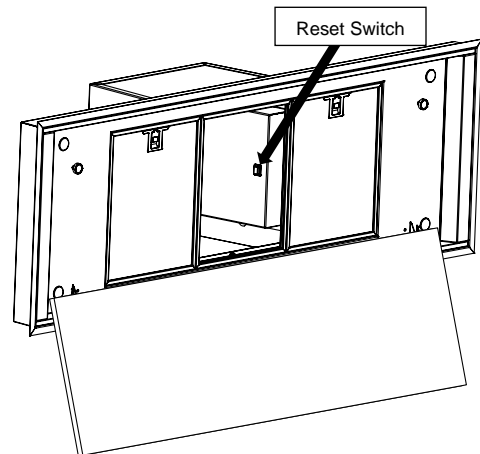
Test the function of the unit as described in the operating instructions (Section 6).

If the unit does not function correctly, isolate the electrical supply and check all the electrical connections before contacting Westin.

If you experience any difficulties, please call Westin for advice.

### Main Reset Switch

The Reset Switch is a red rectangular switch located inside the extractor. The Switch can be accessed by opening the Door and removing the Filter(s). Press the Reset Switch to unlatch 'out'. Press the Reset Switch again to relatch 'in'. The Switch must be in the latched 'in' position in order for the extractor to operate.



## 5. SPECIFICATIONS

Stratus Blade with Internal Motor	
Supply voltage:	230V~ 50Hz
Recommended fuse size for electrical supply	3A
LED Lighting voltage	12V
LED Lighting power input	33W
Extractor Duct spigot diameter:	150mm
Motor power input:	275W
Total power:	297W

For detailed performance, specification and energy efficiency information, please refer to the product fiche for your product

# Ceiling Built-in Unit: STRATUS BLADE (Internal Motor Version) Installation, Operating & Maintenance Instructions



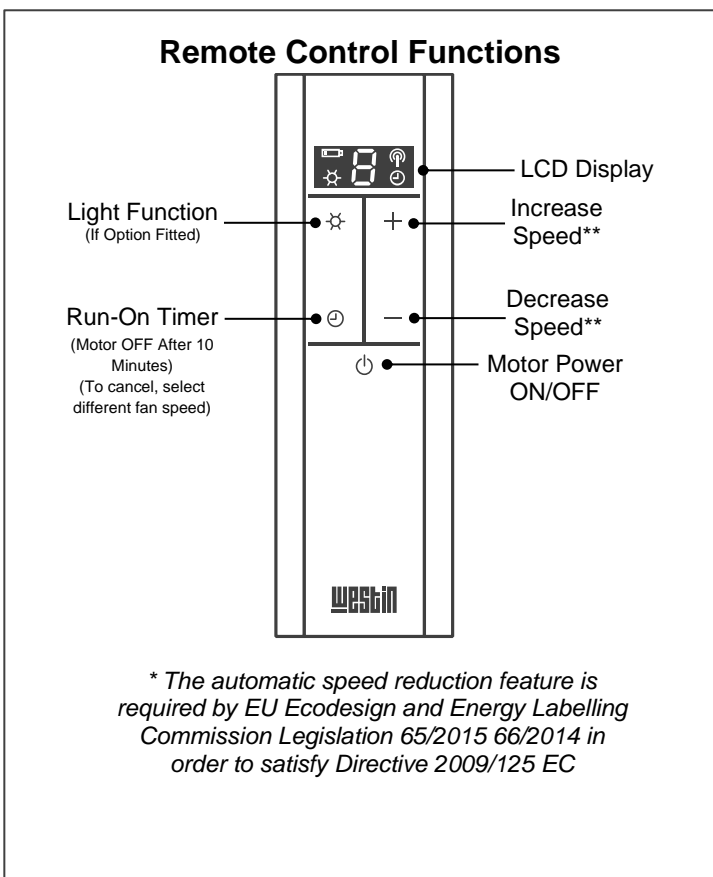
## 6. OPERATING INSTRUCTIONS

### Radio Remote Controlled Models

- Switch on the power at the fused spur.
- Then Immediately turn on the remote control (⏻).
- Then immediately press and hold (☀️) until the lights illuminate.

Should the extractor fail to respond to commands from the remote-control, please check that the power is 'on' and the internal appliance reset switch is in the 'ON' position (factory default). The reset switch is a latching red push-switch located in the chamber behind the door panel / filter.

If you experience interference problems, or the remote appears to be faulty from new, then a different radio transmission code may be required. Refer to the instruction leaflet included with the remote control regarding transmission code changes before seeking assistance.



Refer to the instruction leaflet included with the radio remote control regarding pairing the device, transmission codes and factory reset procedures.

### Other Control Systems

Because this is a custom-made product, an alternative control system may have been specified during the design phase.

Most commonly this alternative control system will be a continuously variable rotary fan speed controller plus light control mounted on the extractor (usually the baseplate). With most such control systems, you will find on/off switches for the fan and lights and a rotating knob to adjust the fan speed. Sometimes the switch and knob are combined into a single unit, like a domestic lighting dimmer switch, which is pressed for on/off function and turned for speed.

In some cases, the fan control may have been specified as a separate item that does not form part of the extractor (e.g. a wall mounted controller). Such controllers may have been supplied by Westin or a third party and are not covered by this manual.

If you are unsure how to operate your unit then please call Westin for assistance

## 7. MAINTENANCE

Regular maintenance is essential to ensure good performance and long-life.

### CAUTION.

To minimise the risk of fire, all instructions relating to cleaning the grease filters and removing grease deposits must be adhered to.

To maintain the immaculate appearance of the extractor, and to minimise fire risk, ensure that grease deposits on the extractor surfaces are kept to a minimum by regular cleaning.

To clean the stainless-steel surfaces of the extractor, use a soft cloth and a suitable cleaning agent, such as a specially produced stainless-steel cleaner or washing up detergent and warm water.

Painted surfaces should be cleaned using a soft cloth, detergent and warm water.

Glass surfaces should be cleaned with a suitable glass cleaning agent.

**The cloudy edges of the LED Light Blades should be dry for the best overall lighting effect. Any polish, oils, or other solutions which leave the edges shiny should be removed if accidentally applied.** Usually wiping along the edge of the light blade with an absorbent material works (kitchen roll is good), wiping until the glass edge is dry and uniformly cloudy in appearance.

- Do not use abrasive cleaning materials or products.
- Do not use bleach based cleaning materials or products.

Clean the grease filters in a dishwasher or by hand-washing in hot water and detergent every 2 months - sooner if the extractor is used extensively and filters become grease laden.

- Whilst you can expect years of service from mesh grease filters, they are considered a consumable item and may deteriorate over time and need replacement, particularly when cleaned in a dishwasher. For dishwasher users adhering to a 2-monthly cleaning interval, we recommend grease filter replacement every 5 years to maintain optimum performance, even if they show no visible signs of deterioration. For all users, filters should be replaced whenever they exhibit signs of physical wear.

### Accessing the filter(s) and baseplate

The door is held shut with magnetic catches.

Open the door by grasping it close to the front corners (the front being the long edge closest to the magnets) and pulling to release it from the magnets. Take care not to let the door fall open freely, it should be supported and moved carefully into the open position.

### Lamp replacement

The LED units are not designed for end user replacement. In the unlikely event of failure please call Westin.

# Ceiling Built-in Unit: STRATUS BLADE (Internal Motor Version) Installation, Operating & Maintenance Instructions



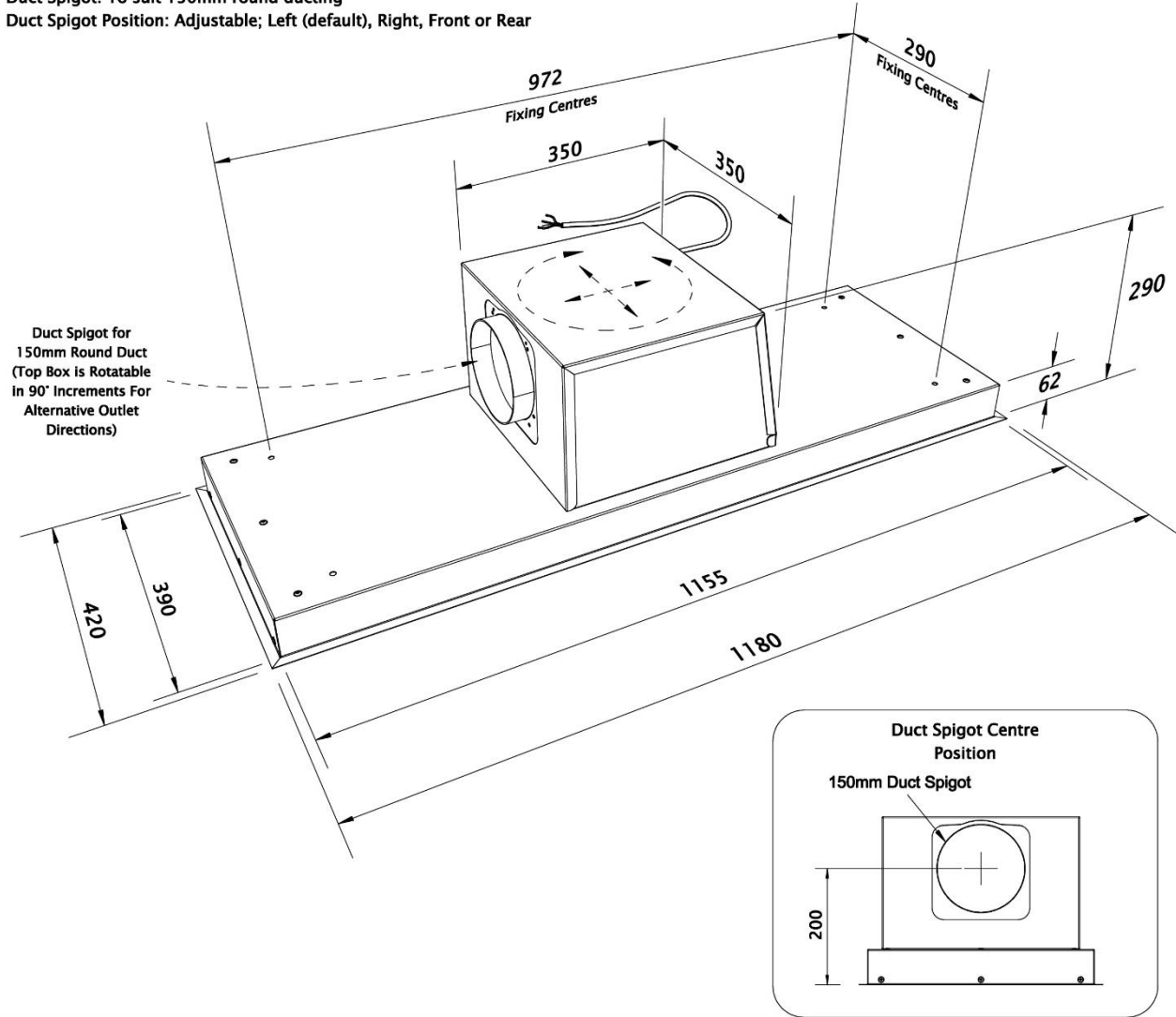
## 8. GENERAL ARRANGEMENT DRAWINGS & ILLUSTRATIONS

### STRATUS BLADE 3D General Arrangement Drawing Internal Motor Version

Cutout Details: Width 1160 x Depth 400

Duct Spigot: To suit 150mm round ducting

Duct Spigot Position: Adjustable; Left (default), Right, Front or Rear

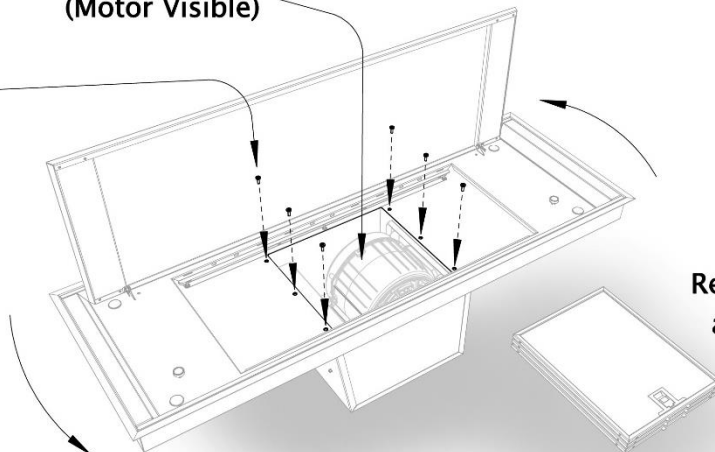


Changing the Duct Spigot Outlet Direction

Top Box Opening (Motor Visible)

Top-box Fixing Screws x 6

Remove screws and rotate baseplate in 90° increments for alternative outlet directions



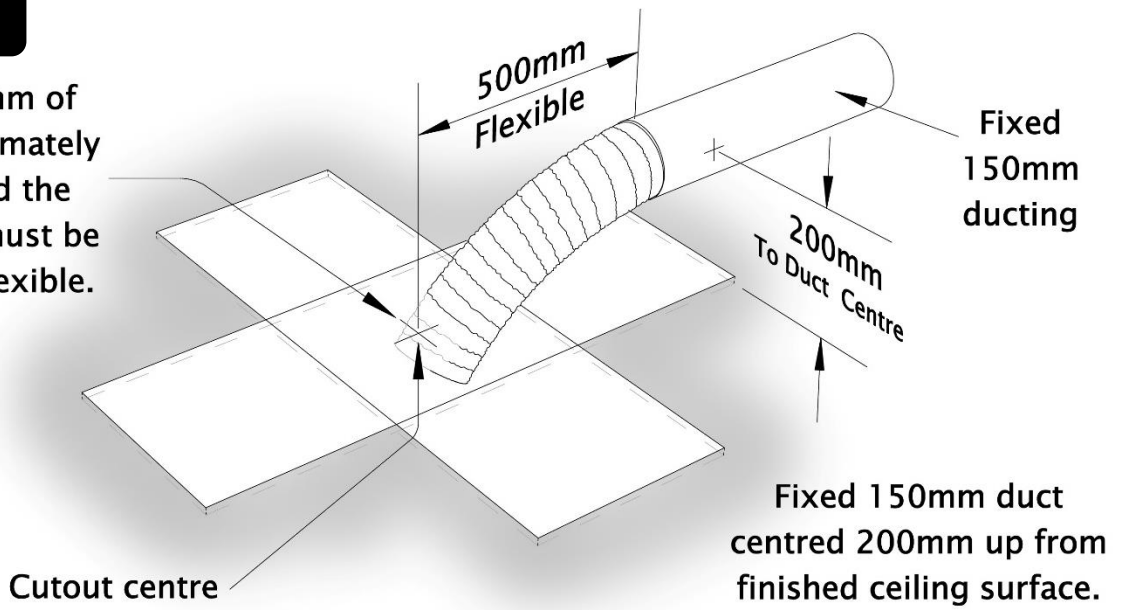
Remove filters to access screws

**Ceiling Built-in Unit:  
STRATUS BLADE (Internal Motor Version)  
Installation, Operating & Maintenance Instructions**

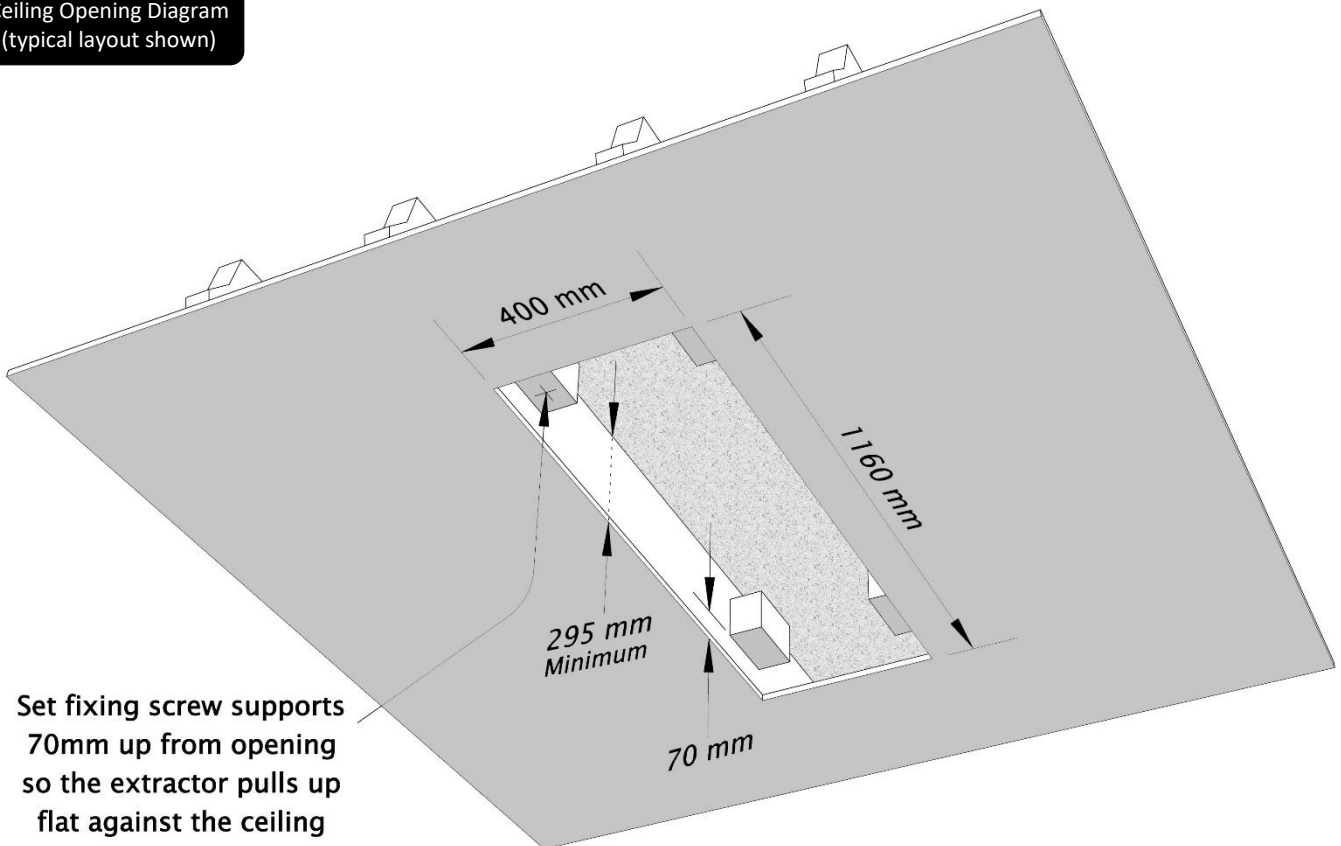


**150mm Round Kitchen  
Duct Termination**

The last 500mm of duct to approximately 50mm beyond the cutout centre must be semi-rigid or flexible.



**Ceiling Opening Diagram  
(typical layout shown)**

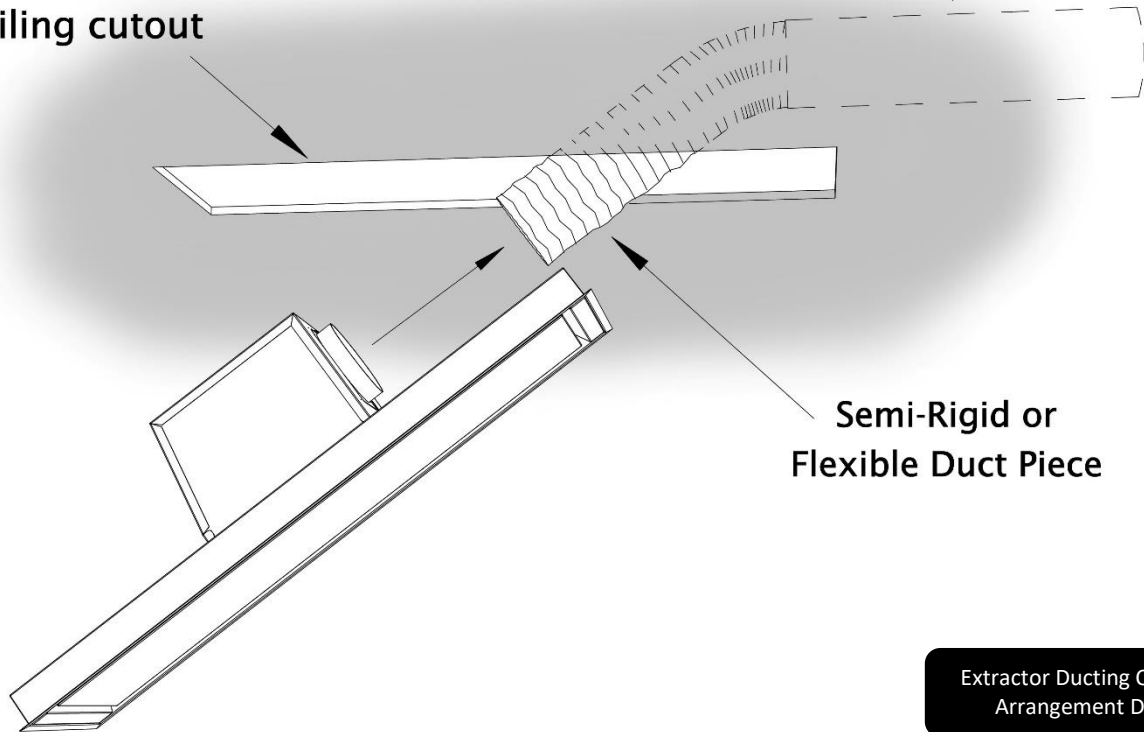


**Ceiling Built-in Unit:  
STRATUS BLADE (Internal Motor Version)  
Installation, Operating & Maintenance Instructions**



Fixed 150mm duct  
above ceiling

Ceiling cutout



Semi-Rigid or  
Flexible Duct Piece

Extractor Ducting Connection  
Arrangement Diagram

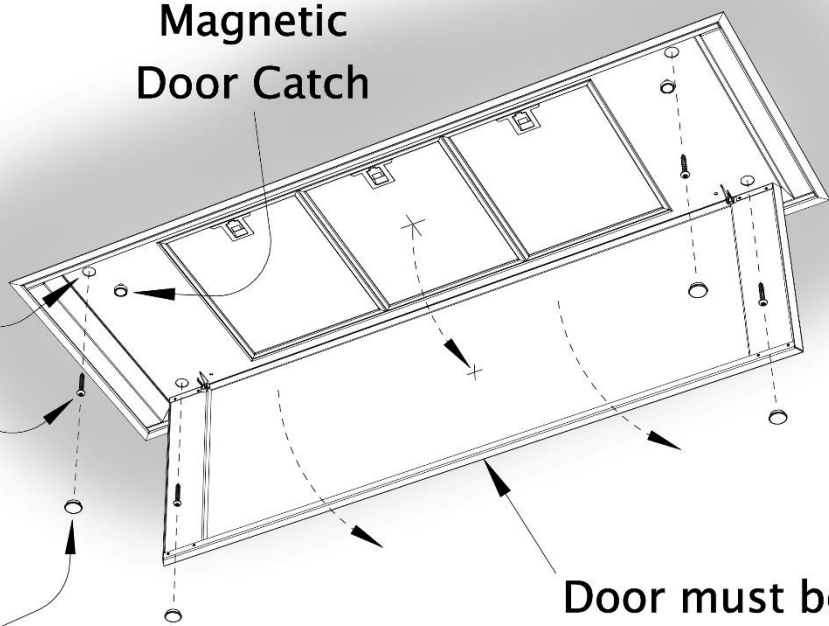
Stratus Blade with Door Open  
Showing Fixing Arrangement

Fixing Hole  
Access Point

Magnetic  
Door Catch

Fixing Screw  
(Not Supplied)

Fixing Hole  
Access Point  
Cover Cap



Door must be  
open to access  
fixing holes

**Ceiling Built-in Unit:  
STRATUS BLADE (Internal Motor Version)  
Installation, Operating & Maintenance Instructions**



**STANDARD GUARANTEE CONDITIONS**

Westin Ltd undertakes that if within 24 months of the date of delivery this product or any part thereof is proved to be defective by reason only of the faulty workmanship or materials, the company will, at our option, repair or replace the same FREE OF ANY CHARGE for labour, materials or carriage on condition that:

1. The product has been correctly installed and used only on the electrical supply stated on the rating plate.
2. The product has been used for normal domestic purpose only, and in accordance with the manufacturer's operating and maintenance instructions.
3. The product has not been serviced, maintained, repaired, taken apart or tampered with by any person not authorised by us.

**EXCLUSIONS**

**This Guarantee does not cover:**

- Damage or calls resulting from incorrect installation, transportation, improper use or neglect, the replacement of any light bulbs or removable parts of glass or plastic.
- Costs incurred for calls to put right appliances improperly installed or calls to appliances outside the United Kingdom.
- Normal wear and tear.
- Products deemed to be in use within a commercial environment.
- Grease filter mesh.
- Bulbs and LEDs.
- Consumables.
- Damage caused to the body by usage of detergent sprayer or other contaminants.
- Damage or corrosion of the LED parts, glass parts and stainless-steel parts.
- Damage caused by foreign objects or accident.
- Any products taken apart or serviced by unauthorised individuals or service engineers or replaced with other manufacturer's components.
- Product not installed with the correct size ducting as stated in the manual.

This Guarantee is in addition to your statutory and legal rights.

Please see our website [www.westin.co.uk](http://www.westin.co.uk) for details of our Conditions of Sale and to register your guarantee.

W S Westin Ltd  
Phoenix Mills, Leeds Road, Huddersfield, HD1 6NG, UK  
Tel: 01484 421585 Fax: 01484 432420 Email: [sales@westin.co.uk](mailto:sales@westin.co.uk)  
[www.westin.co.uk](http://www.westin.co.uk)