



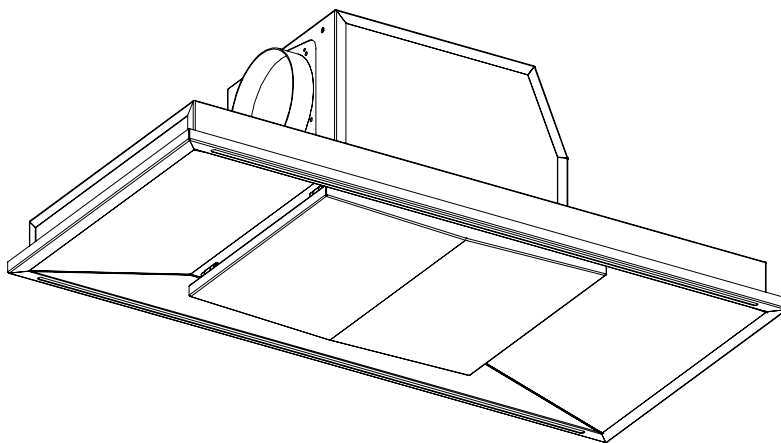
# WESTIN

## STRATUS EDGE

### Ceiling Built-in Unit

#### Installation, Operation and Maintenance

INTRODUCTION	2
IMPORTANT INFORMATION	2
EXTRACTION PERFORMANCE	2
INSTALLATION	2
SPECIFICATIONS	5
OPERATING INSTRUCTIONS	6
MAINTENANCE	6
ILLUSTRATIONS	7
GUARANTEE	12



#### Unpacking

Remove all items from the packaging. Retain the packaging.  
If items are missing or damaged, please contact Westin for assistance.  
The following items are included:

# STRATUS EDGE Ceiling Extractor

## Installation, Operating & Maintenance Instructions



### 1. INTRODUCTION

During the cooking process, there will be heat, vapours and fumes produced. Your *Westin Ceiling Extractor* has been designed to complement your kitchen both in looks and performance, in order to create a good environment for creative cooking.

### 2. IMPORTANT INFORMATION

The exhaust air **must not** be discharged into a flue which is used for exhausting fumes from non-electric appliances such as oil or gas-fired central heating boilers or gas-fired water heaters, etc.

Requirements of the relevant authorities concerning the discharge of exhaust air must be complied with.

Pay particular attention to fire risk when frying. To minimise the risk of fire, all instructions relating to cleaning the grease filters and removing grease deposits must be adhered to.

Do not flambé under the extractor.

#### WARNING.

Proper care must be taken to ensure that the negative pressures caused by high performance extraction systems do not adversely affect the safe operation of certain types of fuel-burning appliances (gas, oil or solid fuel), including those installed in the kitchen and also those installed in other parts of the house.

Where such fuel-burning appliances are installed, adequate ventilation **MUST** be provided in the room of installation, located and sized such that the negative pressure in the room created by the extractor does not exceed 4Pa.

In case of doubt, do not operate the extractor and fuel-burning appliance(s) simultaneously and consult an appropriate (for the fuel type) expert for advice.

#### ELECTRICAL SAFETY.

This appliance requires an earth connection.

Ensure that the supply voltage corresponds to that marked on the rating label inside the extractor.

The extractor must be isolated from the electrical supply before carrying out any cleaning or maintenance operations.

**The clearance between the hob burners and the bottom surface of the cooker hood (extractor) should be within the following range, unless a greater distance is specified by the cooking appliance manufacturer:**

#### Hob to underside of the cooker hood clearance distances:

- 650mm Minimum above electric hobs.
- 760mm Minimum above all gas hobs and gas or electric wok burners, griddles, fryers, open grills / barbecues.

The minimum distance between the hob and the bottom of the cooker hood is essential for safety reasons and to prevent overheating of the extractor and its components.

Please also note that a 90° bend in flexible ducting will require 215mm minimum headroom to give a smooth radius with no kinking.

**You are advised to install measures designed to reduce the incidence of cold draughts entering the property via any ductwork.**

For extractors with internal or inline motors, this should, at the very least, consist of an external duct termination with integrated non-return flaps (e.g. gravity shutter wall grille/louvre) and/or an inline backdraught shutter.

For wall-mounted motors, an inline backdraught shutter is recommended.

### 3. EXTRACTION PERFORMANCE

As its name suggests, this type of extractor is designed to fit into the ceiling void, with only the underside and outer flange visible when installed.

Because fumes spread out as they rise, a unit larger than the hob area is desirable, although not always possible. The perimeter extraction system is designed to conceal the grease filters and to minimise fume escape. Warm cooking fumes that

do escape tend to accumulate in the highest part of the room initially, so situating the unit at the highest point is of benefit. It will perform best when it is situated directly over the hob.

The primary influence on the overall performance of the extractor is the design of the ducting which takes the exhaust air from the extractor to the outside. The duct route should be a prime consideration during the initial stages of the kitchen design (Westin do not recommend recirculating air back into the kitchen).

Please note the following:

- Easy access to the duct route during installation is important. Lack of access may require the "blind" fitting of flexible ducting (with increased risk of unseen kinks and impaired efficiency).
- **The extractor is provided with a spigot(s) suitable for connecting 150mm round ducting (or equivalent cross section). Ducting must not be reduced.**  
**Note: Failure to adequately fit the ducting stated above will void your written Guarantee under the Standard Guarantee conditions.**
- The most efficient configuration is to duct straight through an outside wall, so try to position the cooker against an outside wall when designing your kitchen.
- Your extractor can be set to vent to the rear, front, left or right. Use the exhaust position which gives the shortest achievable duct route and least number of bends. Joist positions will often determine what is achievable.
- Rigid 150mm round ducting or an equivalent flat channel system (available from *Westin*) will perform best, with semi-rigid (often referred to as flue liner) being the second-best solution. Flexible ducting is economical but its use should be minimised as it gives the worst performance and should only be used for short duct runs (or initial connection) and should be pulled taut to prevent significant losses in extraction efficiency.
- For maximum efficiency, ducting should be kept as short as possible and as straight as possible with a constant cross-sectional area being no less than that recommended by Westin. Bends in the duct will also degrade performance so the number of bends in a duct run should be kept to a minimum and be gradual and smooth to prevent turbulence. Avoid kinks in flexible ducting; pull flexible ducting taut over straight runs to ensure that the internal surface is as smooth as possible.



# STRATUS EDGE Ceiling Extractor

## Installation, Operating & Maintenance Instructions

### 4. INSTALLATION

The extractor is designed for installation within a cut-out in the underside of the kitchen ceiling. Alternatively, it may be installed within a lowered area of ceiling or a soffit panel within your furniture – remember that it is desirable to install directly into the ceiling (see section 3).

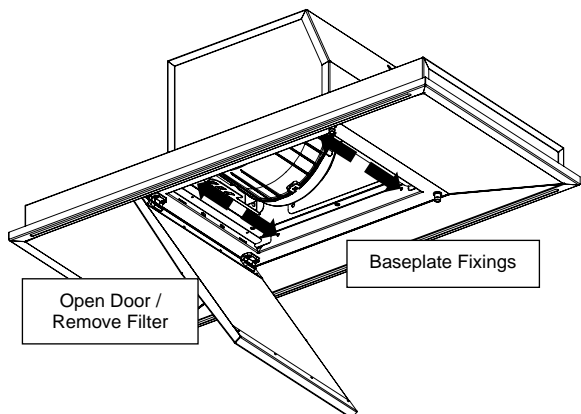
**Dimensioned drawings and illustrations to help with your installation can be found on page 7 onwards.**

**This document provides detailed guidance for a typical installation, however not all installations can be accommodated within this guide.**  
**If you are unsure how to proceed then please call Westin for assistance.**

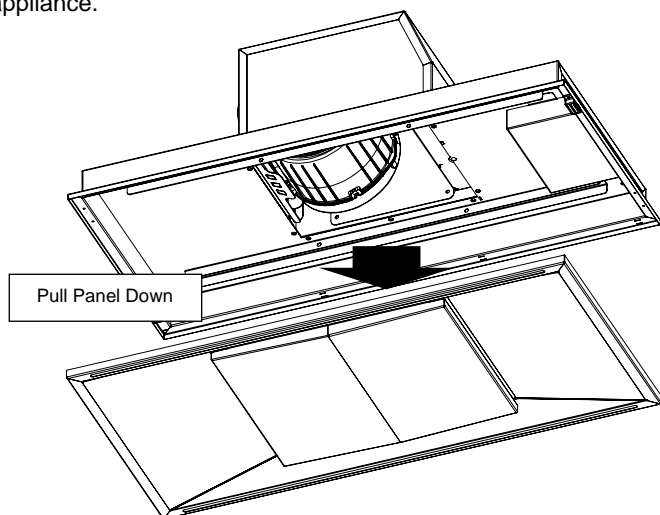
**If your extractor is a recirculating model** (optional extra and not the standard configuration) then adequate provision must be made for exhausted air to return into the kitchen - e.g. ducted out to a ceiling vent sited to minimise uncomfortable draughts. Failure to do so may cause the unit to overheat and fail (and will invalidate your warranty).

To install the hood, it is necessary to remove the baseplate and filters to gain access to fixing holes & duct spigot(s).

Open the appliance door by pulling from the left to release the magnets. The door is hinged to reveal the filter(s). Remove the filter(s) (as described in section 6).



Once the filter has been removed, locate the 4 fixing screws that retain the base plate (see above illustration). Separate the baseplate by pulling the panel assembly away from the rest of the appliance.



### Setting the Duct Spigot Position.

Your extractor ducting spigot can be set to vent to the Left (factory default), Right, Front, Rear or Top.

The front of the unit, when installed, is the side with the magnetic catches.

**Note:** If you wish to vent upwards and space is restricted, then you may find your installation easier if you use a side outlet position and put a bend in your ducting.

The “top box” exhaust spigot assembly refers to the removable 150mm ducting spigot plate, which in the case of Internal blower models has the motor attached to it.

As described earlier, the Stratus “top box” has 3 possible duct spigot positions, with the remainder being achieved by rotation of the top box through 180 degrees.

### To change the exhaust spigot position of the "top box" proceed as follows:

- Suspend the extractor on its back *such that the “top box” is clear of the ground.* This is best achieved by placing the product across the top of the open box it came in so that the “top box” hangs down into the box.
- Open the filter concealment panel and remove the filter(s).
- Each exhaust position has 4 captive nuts onto which can be bolted either the exhaust spigot assembly or a blanking plate.

Bolt the exhaust spigot assembly into the required location by swapping it with a blanking plate as necessary using a screwdriver.

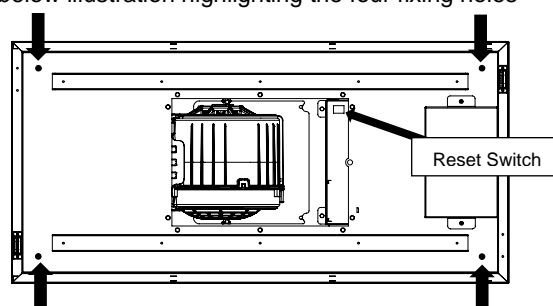
**Note:** For internal blower models (where space within the top box is limited) only the screws nearest to the filter opening need to be fully removed. The screws farthest away need only to be backed off as the plate has slots for easier removal/replacement of the motor.

### To rotate the "top box" proceed as follows:

- Suspend the extractor on its back *such that the “top box” is clear of the ground.* This is best achieved by placing the product across the top of the open box it came in so that the “top box” hangs down into the box.
- Open the filter concealment panel to reveal the fixing screws securing the “top box” to the “baseplate” and remove the screws.
- Carefully lift the “top box” out of the “baseplate” opening, rotate it to face the required direction and carefully refit it in its new position, taking care not to trap any wires. Secure it with the screws previously removed.
- The appliance will need to be angled during removal and refitting to allow the top box, duct spigot, electrical connection points and any cables to fit through the opening in the ceiling without obstruction.

### Fixing Holes.

See below illustration highlighting the four fixing holes





# STRATUS EDGE Ceiling Extractor

## Installation, Operating & Maintenance Instructions

### Prepare Opening.

Prepare an opening in the ceiling into which the unit will be fitted (see table below). Reinforce the opening as necessary and make suitable provisions for the screws that will hold the unit in place.

Unit Size (mm) (Width x Depth)	Cut-out Size (mm) (Width x Depth)
900 x 440	860 x 400
1200 x 440	1160 x 400
900 x 800	860 x 760
1200 x 800	1160 x 760

Note: To avoid the need to box down from the ceiling, consider the joist direction, ceiling thickness (and possibly lowering the ceiling slightly). As much of the baseplate only intrudes above the finished ceiling by 25mm, (see diagrams on Page 7 Onwards) boxing down can usually be avoided with minimal alterations to the ceiling arrangement.

### Ducting

Install ducting taking note of the advice given in section 2 & 3.

We recommend using semi-rigid round ducting for this extractor – the initial connection to the extractor spigot must be in semi-rigid (or flexible duct) to allow the entire unit (or top box if fitting separately) to be pushed into position with the duct connected.

Run the ducting such that there is enough to easily reach just beyond the centre point of the extractor, thus allowing for a short length to be pulled through the opening for later connection to the top box spigot. Try to avoid tight bends immediately adjacent to where the top box will be as this will make pushing the unit/top box into position more difficult.

When terminating ducting on an outside wall, a suitable weather louvre should be fitted. Various ducting components and complete kits are available from *Westin* to suit most installations.

If you plan to use expanding foam, make sure that any soft flexible ducting is supported internally to prevent it crushing, or use semi-rigid/rigid ducting where foam is used.

For roof or chimney duct terminations, please contact *Westin*, or seek alternative specialist advice.

If you are fitting a wall-mounted external motor with semi-rigid or flexible ducting, then you must leave a short length (approx. 200mm) of expanded (stretched out) ducting proud of the wall (to facilitate connection to the motor spigot) before pushing both into position flush with the wall.

Standard external motors come with a cable assembly and fitted plugs that must pass through the wall and run back to the extractor – usually this passes alongside the ducting so it is recommended to oversize your cut-out by at least 25mm to allow for this (and for the easy installation of the duct).

### Remote External Wall and Inline Motors

If your extractor has been purchased to operate with a standard inline or external remote motor (SEM), then you will find a black plastic box outside the extractor (on flying leads) containing electrical terminals for connection to the remote motor cable assembly. This box is referred to as the remote motor terminal box.

Run the remote motor cable such that sufficient hangs down through the ceiling opening prepared for the extractor to allow for easy connection to the remote motor terminal box.

Each terminal inside the remote motor terminal box has one side connected to a coloured wire, which leads back to the hood control system. The remote motor cable assembly also has coloured wires and these are connected to the empty terminals.

Such corresponding colours are opposite and connect to each other; i.e. red connects to red, blue to blue, and so on.

Not all terminals will be used because each remote motor type is configured differently.

No separate power supply is required for the external motor.

An electrician (or Part P registered electrical installer) should undertake any work associated with the electrical installation of SEM remote motors.

**Please refer to the REMOTE MOTOR ILLUSTRATIONS on page 9 for more information.**

If you need to extend the remote motor cable, then additional cable can be purchased from *Westin*. Alternatively, it may be extended using 7 core x 0.5mm flex. It is vital to ensure that any new cable is inserted such that the core colour integrity is maintained; i.e. a core that started as red must terminate as red, blue as blue, purple as purple, and so on.

Any remote motor should be installed in accordance with the installation instructions that accompany it. It must be installed in an easily accessible location for future maintenance. *Westin* are not responsible for providing the means of access (e.g. scaffolding or any alterations to the building and/or furniture necessary to make access possible) in the event of any maintenance requirement.

### Electrical Installation

**ELECTRICAL HAZARD.  
DISCONNECT ELECTRICAL SUPPLY BEFORE  
PROCEEDING FURTHER**

The extractor is a stationary appliance supplied with an electrical supply flex and moulded 3 pin UK plug (3A) for connection to the electrical supply.

**The appliance must be fed from a 230Vac single phase electrical supply.** You may wish to terminate the electrical supply using a standard mains electrical socket positioned close to the extractors intended location.

Alternatively, you may terminate the electrical supply from a switched-fused spur. The spur should be located adjacent to the hood/cooker so that the supply can be disconnected from the hood using the switch. The means of disconnection from the supply must have a minimum contact separation of 3mm in all poles. A competent Part P registered electrical technician must perform the electrical installation.

The mains supply is connected as follows:

INCOMING SUPPLY CORD CONNECTIONS	
Core	Core Colour
Live	Brown
Neutral	Blue
Protective Earth	Green/Yellow

Make sure the switched - fused spur supplying the extractor is in the 'off' position before connecting the appliance to the electrical supply.

### Main Reset Switch

The Reset Switch is a red rectangular switch located inside the extractor. The Switch can be accessed by opening the Door and removing the Filter(s). Press the Reset Switch to unlatch 'out'. Press the Reset Switch again to relatch 'in'. The Switch must be in the latched 'in' position in order for the extractor to operate



# STRATUS EDGE Ceiling Extractor

## Installation, Operating & Maintenance Instructions

### Fixing the Extractor in Position

Please note the following prior to commencing fixing the extractor in position:

- You will need at least 2 people to fit this extractor; to lift, hold and fix the unit in position:
- A working platform or scaffold should be used so that the ceiling opening can be reached and the unit fixed without the use of ladders.
- Screws for fixing the extractor into position are not provided. You must use suitable fixings capable of supporting 30kg.
- If you are screwing into timber, then you should use screws no smaller than 5mm (No 10) with a head diameter of 10mm or more and ensure that at least 35mm of thread is screwed into the timber and that the timber will not split when the screws are inserted.
- The unit will need supporting close to the opening when attaching the ducting and making electrical connections – do not be tempted to install excessive ducting as this will impair performance.
- As described earlier, a length of semi-rigid ducting protruding a short distance through the centre of the ceiling opening is sufficient for the final connection to the extractor spigot. This will allow the unit to be fixed into position with the duct connected and prevents excessive lengths of flexible ducting being pushed into the opening. This may lead to loss of efficiency. (see section 3).
- Note that it is possible to separate and withdraw the spigot assembly back into the top box, working through the filter opening. Whilst this should not be necessary, it is worth noting as it may help you overcome difficulties, particularly if your ducting has been cut too short as you will be able to attach it to the spigot from inside the extractor.

**You must consider and allow for the future removal of the extractor and any remote motor when planning and undertaking your installation should access for future servicing be required.**

- If you have not already done so, set the top box to duct out in the required direction, as described in section 4.2, and reveal the corner fixing holes (concealed and recessed within the light cavity), as described in section 4.3.

**ELECTRICAL HAZARD.  
DISCONNECT ELECTRICAL SUPPLY BEFORE  
PROCEEDING FURTHER**

- If using a **remote motor**, connect it now (as described in 4.6). The illustrations on page 9 will help you.
- Support the extractor just below the prepared cut-out so that the spigot and electrical connections are accessible.
- Make sure that the electrical supply to the electrical supply spur is isolated (switched off) and connect the electrical supply cord of the extractor to the spur.
- Attach the ducting to the spigot using suitable clamps or straps (available from Westin). We do not recommend using duct tape as the only means of fixing - this should only be used to improve the seal in the joint.
  - Now, (**for all models**) push the extractor up into the cut-out, taking care not to crush or introduce excessive bends/kinks

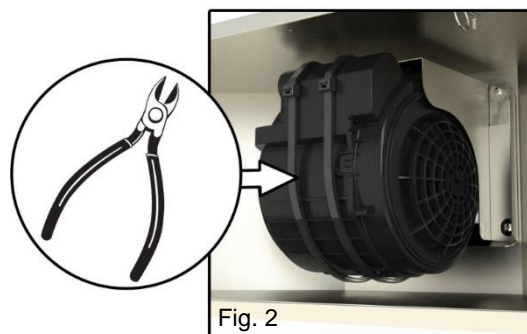
in the ducting and making sure that no wires are trapped or damaged in the process.

Note: If the duct or any wires are trapped, then you must lower the extractor and make corrections to the cut-out area as necessary before fixing the appliance in position.

- Secure the extractor in place using suitable fixings (not supplied) through one fixing hole in each corner of the baseplate.
- Now test the function of the unit as described in the operating instructions (Section 6).
- If the lights or motor do not function correctly, then isolate the electrical supply and check all the electrical connections before contacting Westin.
- Refit the base plate.

### Removing the Motor Transport Ties (If Fitted) (see fig.2)

Note: Transport Ties are only used on smaller appliances to protect the motor during unpalletised transit.



## 5. SPECIFICATIONS

All Models	
Supply voltage:	230V~ 50Hz
LED lamp voltage	12v
LED lamp power	2 x 17.5w
Recommended fuse size for electrical supply:	3A
Extractor Duct spigot diameter:	150mm
Internal Motor Specification	
Motor airflow in free air:	800 m <sup>3</sup> /hr
Blower power input:	275W
Total power:	310W
SEM1 EL Inline Motor Specification	
Motor airflow in free air:	800 m <sup>3</sup> /hr
Motor power input:	275W
Total power:	310W
SEM2 EL External Wall Motor Specification	
Motor airflow in free air:	900 m <sup>3</sup> /hr
Motor power input:	200W
Total power:	230W
SEM7 EL External Wall Motor Specification	
SEM7 airflow, in free air: 200mm Dia Duct	1,700 m <sup>3</sup> /hr
SEM7 airflow, in free air: 150mm Dia Duct	1,500 m <sup>3</sup> /hr
Motor power input:	490W
Total power:	520W
<i>Note: The motor has a 200mm diameter spigot and is supplied with a reducer for connection to 150mm ducting.</i>	
SEM8 EL Inline Motor Specification	
SEM8 airflow, in free air: 200mm Dia Duct	1,300 m <sup>3</sup> /hr
SEM8 airflow, in free air: 150mm Dia Duct	1,100 m <sup>3</sup> /hr
Motor power input:	250W
Total power:	280W
<i>Note: The motor has a 200mm diameter spigot and is supplied with a reducer for connection to 150mm ducting.</i>	

W S Westin Ltd  
Phoenix Mills, Leeds Road, Huddersfield, HD1 6NG, UK  
Tel: 01484 421585  
Fax: 01484 432420  
Email: sales@westin.co.uk  
www.westin.co.uk

# STRATUS EDGE Ceiling Extractor

## Installation, Operating & Maintenance Instructions



### 6. OPERATING INSTRUCTIONS

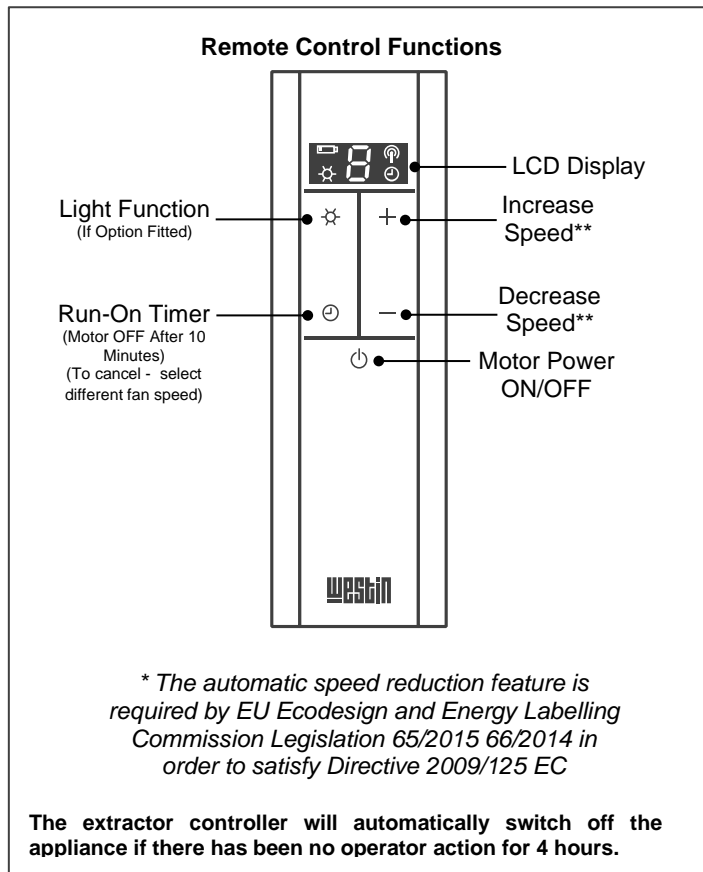
Note: The unit is operated by radio remote control. In order to pair the remote control to the appliance:

- Switch on the power at the fused spur.
- Then Immediately turn on the remote control (⏻).
- Then immediately press and hold (⌘) until the lights illuminate.

Should the extractor fail to respond to commands from the remote-control, please check that the power is 'on' and the internal appliance reset switch is in the 'ON' position (factory default). The reset switch is a latching red push-switch located in the chamber behind the door panel / filter.

If you experience interference problems, or the remote appears to be faulty from new, then a different radio transmission code may be required.

Refer to the instruction leaflet included with the remote control regarding transmission code changes before seeking assistance.



### 7. MAINTENANCE

Regular maintenance is essential to ensure good performance and long-life.

#### CAUTION

To minimise the risk of fire, all instructions relating to cleaning the grease filters and removing grease deposits must be adhered to.

To minimise fire risk, ensure that grease deposits on the extractor surfaces are kept to a minimum by regular cleaning.

To clean the stainless-steel surfaces of the extractor, use a soft cloth and a suitable cleaning agent, such as a specially

produced stainless-steel cleaner or washing up detergent and warm water.

Painted surfaces should be cleaned using a soft cloth, detergent and warm water.

Glass surfaces should be cleaned with a suitable glass cleaning agent.

**Do not use abrasive cleaning materials or products.**  
**Do not use bleach-based cleaning materials or products.**

Clean the grease filters in a dishwasher or by hand-washing in hot water and detergent every 2 months - sooner if the extractor is used extensively and filters become grease laden.

Whilst you can expect years of service from mesh grease filters, they are considered a consumable item and may deteriorate over time and need replacement, particularly when cleaned in a dishwasher. For dishwasher users adhering to a 2 monthly cleaning interval, we recommend grease filter replacement every 5 years to maintain optimum performance, even if they show no visible signs of deterioration. For all users, filters should be replaced whenever they exhibit signs of physical wear.

#### Removing the Grease Filters

The clip in grease filters have an integrated sprung latch mechanism.

Release the latch by pulling the lever and remove the filter.

Filters are replaced by locating the fixed tabs opposite the lever catch into corresponding slots in the extractor base and then pushing the filter into position with the latch held open. Once the filter is in position, release the lever, allowing the latch to engage.

#### Replacing LED lighting

The long-life LED units are not designed for end user replacement. In the unlikely event of failure please call Westin to arrange a Service call.

#### Caring for HP4 high efficiency carbon filters (Recirculating hoods only).

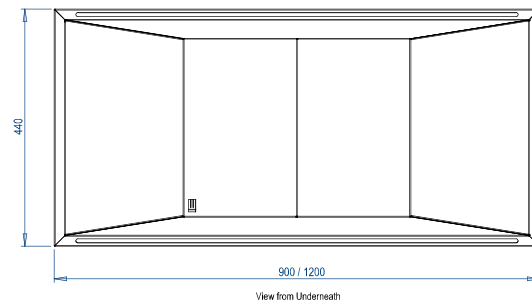
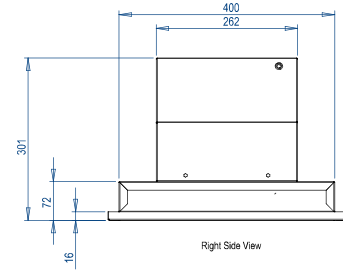
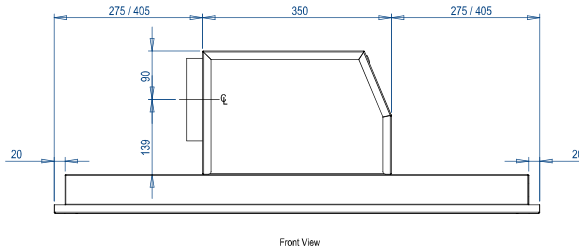
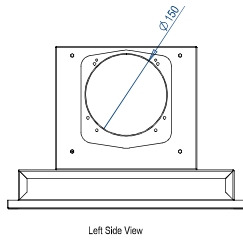
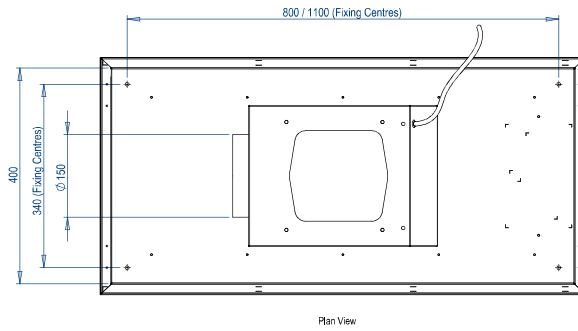
To restore and regenerate high efficiency HP4 carbon filters, they must be washed in the dishwasher (without other dishes or cookware) and then be placed into an oven for 1 hour at max 90°C.

HP4 filters should be washed whenever they are dirty or lose effectiveness (at least every two months).

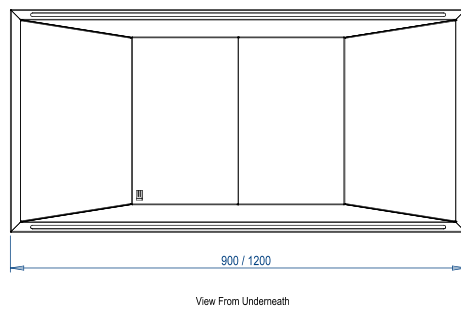
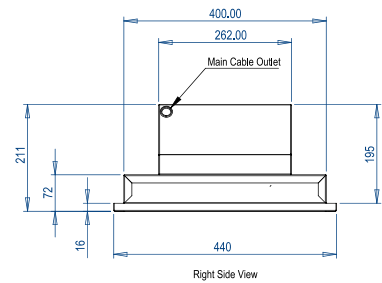
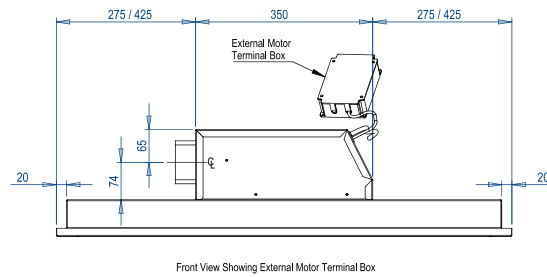
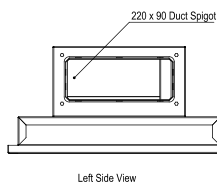
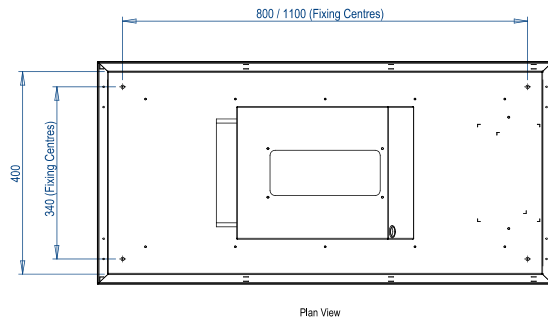
Regular washing and regeneration will maximise the efficiency and lifespan of these filters.

These filters can be regenerated repeatedly but are considered a consumable and will eventually deteriorate, after which they should be replaced. The time this takes will depend on the style of cooking but they can be expected to deliver excellent service under normal use conditions, although replacement is recommended at least every two years.

**STRATUS EDGE 900 / 1200 LAYOUT**  
**INTERNAL MOTOR**  
**LEFT OUTLET**

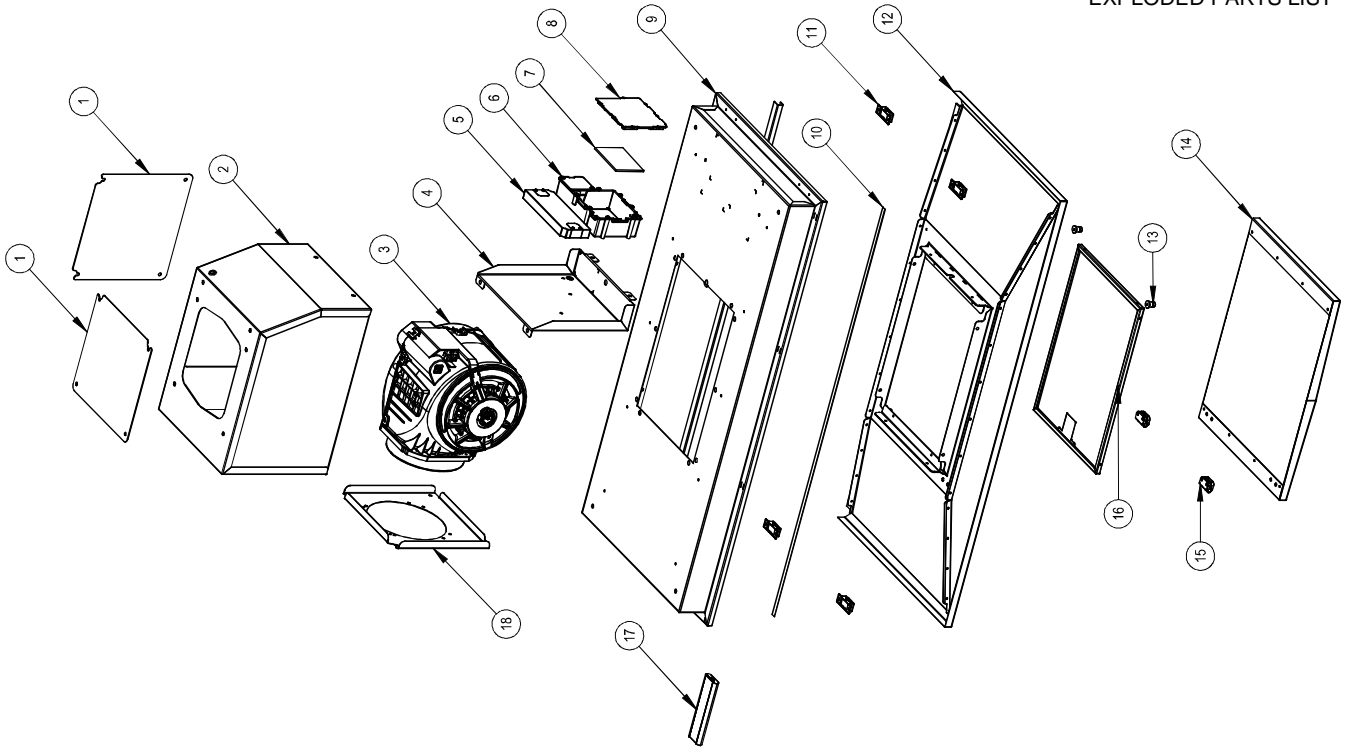


**STRATUS EDGE 900 / 1200 LAYOUT**  
**EXTERNAL MOTOR**  
**LEFT OUTLET**

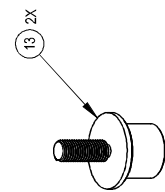
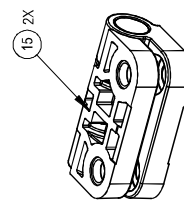
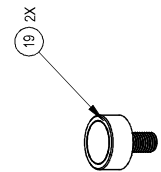
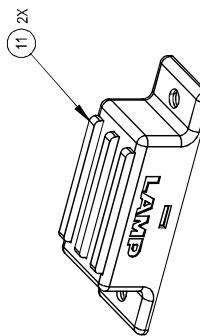




**STRATUS EDGE 900 / 1200 LAYOUT**  
INTERNAL MOTOR  
EXPLODED PARTS LIST



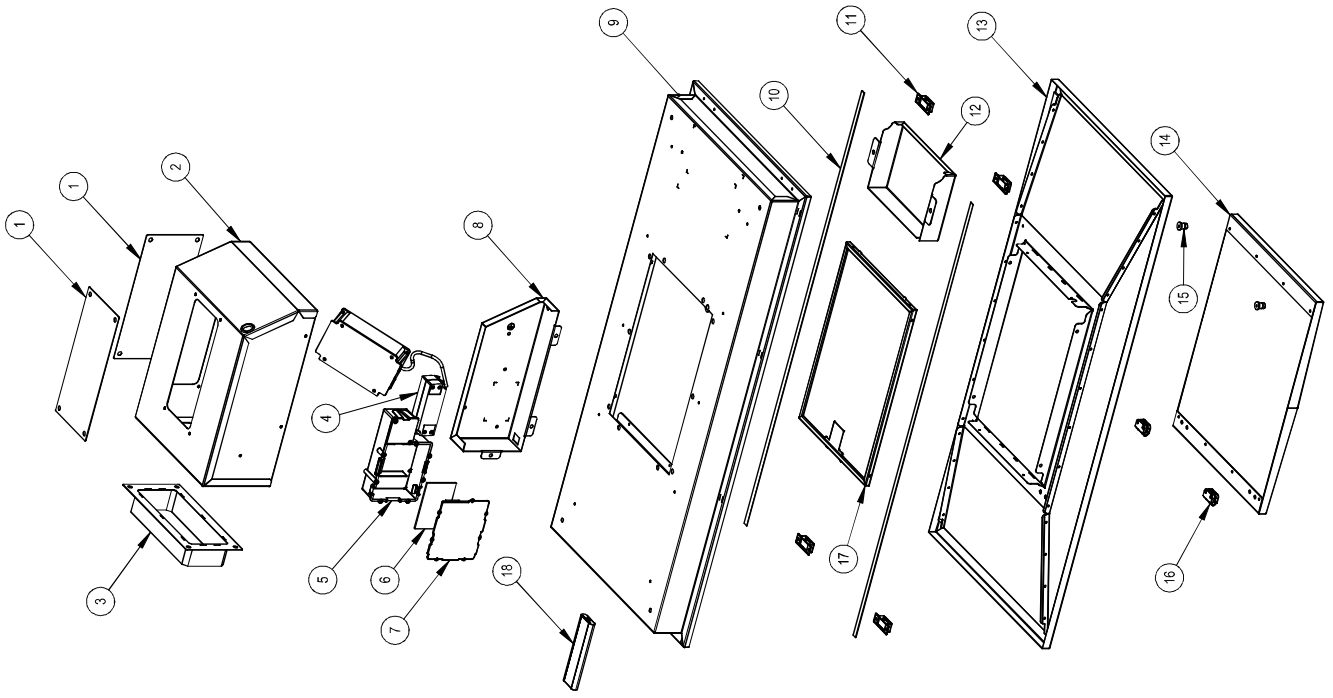
NO.	Part Name	Part Number	Notes & Special Ordering Instructions
1	Blanking Plate	Made to Order	
2	Top Box	Made to Order	
3	Motor	*W1437	
4	Control Box Enclosure	Made to Order	
5	LED Driver	W1389	
6	Circuit Board Housing	*W0419 - *W0421 - *W0422	
7	Circuit Board	*W1836	
8	Circuit Board Housing Lid	*W0420	
9	Extractor Body	Made to Order	State Hood Width
10	LED Strip Lights	W1792 for 900mm Wide Version W1793 for 1100mm Wider Version	
11	Base Plate Support magnet	W1758	
12	Extractor Base Plate	Made to Order	State Hood Width
13	Magnet Post	W1781	
14	Door Panel	Made to Order	Specify 900mm or 1100mm
15	Door Hinge	W1780	
16	Grease Filter	W0711	
17	Remote Control	W1798	
18	Motor Bracket	Made to Order	
19	Magnet For Post	W1782	1200mm Wide Products use Magnet W1107
	Internal Motor Assembly	W1788	*Parts included with assembly



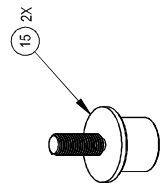
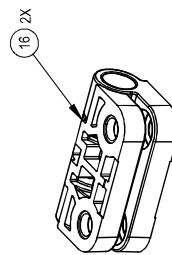
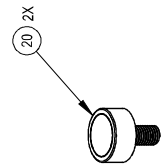
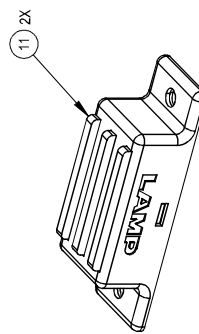


Installation, Operating & Maintenance Instructions

STRATUS EDGE 900 / 1200 LAYOUT  
EXTERNAL MOTOR  
EXPLODED PARTS LIST



NO.	Part Name	Part Number	Notes & Special Ordering Instructions
1	Blanking Plate	Made to Order	
2	Top Box	Made to Order	
3	220 x 90mm Spgot	Made to Order	
4	15W Driver	W1094	x2 Required
5	Circuit Board Housing	*W0419 - *W0421 - *W0422	
6	Circuit Board	*W1836	
7	Circuit Board Housing Lid	*W0420	
8	Control Box Enclosure	Made to Order	
9	Extractor Body	Made to Order	State Hood Width
10	LED Strip Lights	W1792 for 900mm Wide Version W1793 for 1100mm Wide Version	
11	Base Plate Support Magnet	W1758	
12	Wiring Enclosure	Made to Order	
13	Extractor Base Plate	Made to Order	State Hood Width
14	Door Panel	Made to Order	State Hood Width
15	Magnet Post	W1781	
16	Door Hinge	W1780	
17	Grease Filter	W0711	
18	Remote Control	W1798	
19	Motor Bracket	Made to Order	
20	Magnet for Post	W1782	1200mm Wide Products use Magnet W1107
21	External Motor Assembly	W1789	*Parts Included with Assembly

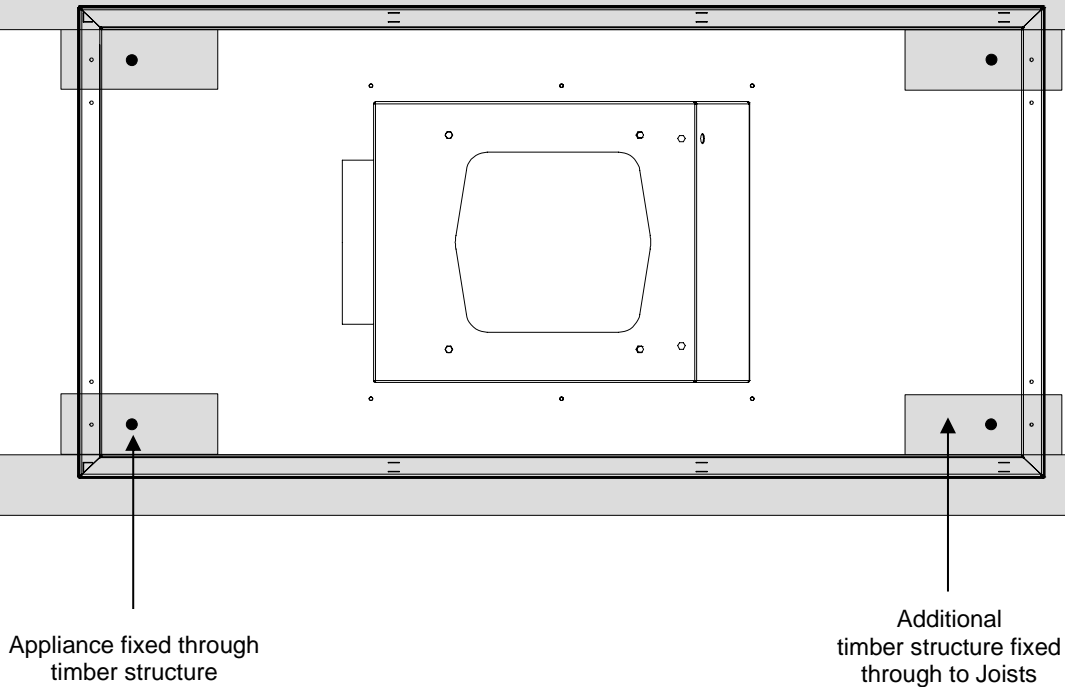




STRATUS EDGE 900 / 1200  
TYPICAL INSTALLATION LAYOUT

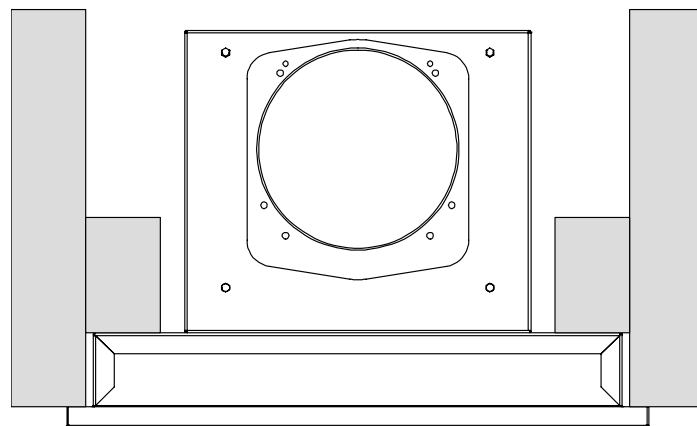
Typical Installation with Joists running in line.

PLAN VIEW



Unit placed within typical cut-out detail.

SIDE VIEW



Above layout views are for illustrative purposes only.

Installation, Operating & Maintenance Instructions

SEM-EL REMOTE MOTOR WIRING ILLUSTRATIONS for Energy Labelling Directive Compliant Motors SEM1, 2, 7 and 8

The wiring illustrations below apply to SEM EL Motors only.

The below diagram shows a typical SEM EL wiring schematic. the appliance is supplied with an external terminal box that requires connecting to the external motor.

In order to access the electrical terminals, remove the fixing screws from the external terminal box lid. Refer to fig. 2 & 3 for details of how to wire the SEM 1/2 or SEM 7/8 correctly.

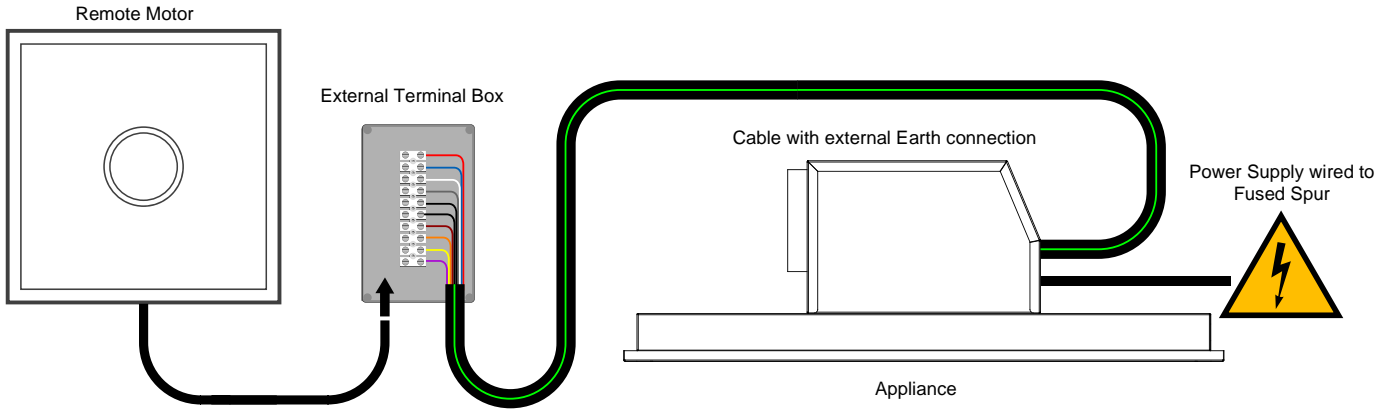
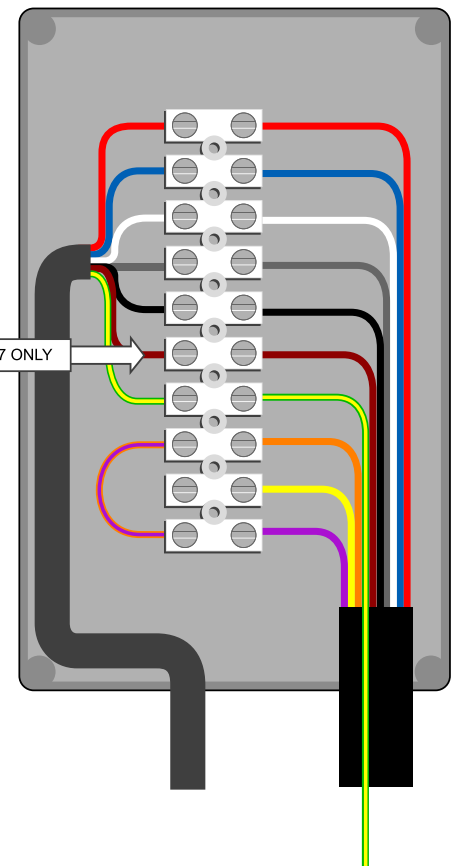
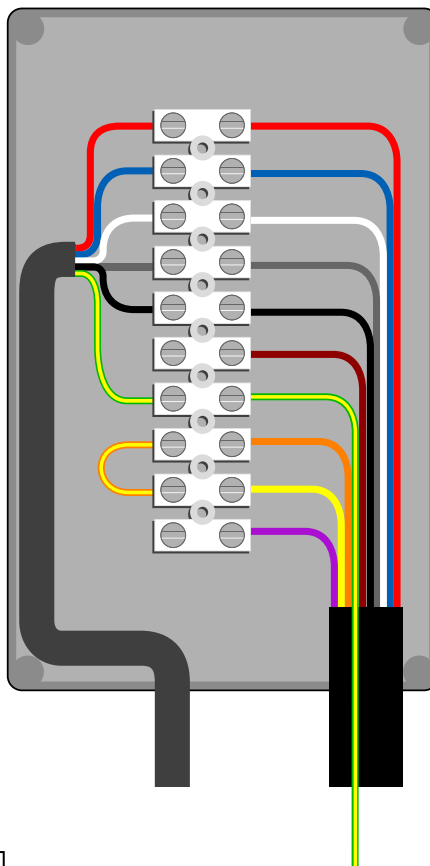
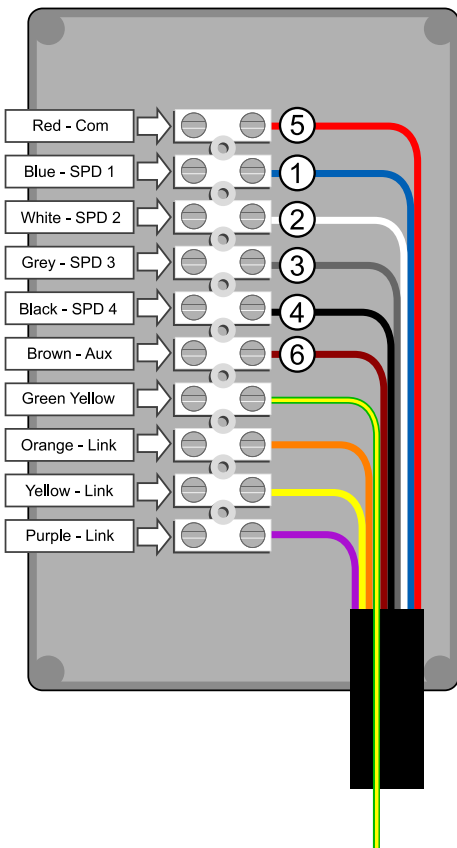


Fig. 1 Typical System

Fig. 2 Terminal Colour Positions

Fig. 3 SEM 1 / SEM 2 Electrical Connections

Fig. 4 SEM 7 / SEM 8 Electrical Connections



**Note:**  
**CHECK: COLOUR SEQUENCE MAY VARY**  
 Link terminals determine intensive speed run times, which are motor type dependent.  
 Aux terminal powers auxiliary PCB in some motors.

Remote Motor Cable Assembly  
 Orange/Yellow link wire is included

Remote Motor Cable Assembly  
 (Orange/Purple link wire is included)



## Installation, Operating & Maintenance Instructions

### STANDARD GUARANTEE CONDITIONS

Westin Ltd undertakes that if within 24 months of the date of delivery this product or any part thereof is proved to be defective by reason only of the faulty workmanship or materials, the company will, at our option, repair or replace the same FREE OF ANY CHARGE for labour, materials or carriage on condition that:

1. The product has been correctly installed and used only on the electrical supply stated on the rating plate.
2. The product has been used for normal domestic purpose only, and in accordance with the manufacturer's operating and maintenance instructions.
3. The product has not been serviced, maintained, repaired, taken apart or tampered with by any person not authorised by us.

### EXCLUSIONS

#### This Guarantee does not cover:

- Damage or calls resulting from incorrect installation, transportation, improper use or neglect, the replacement of any light bulbs or removable parts of glass or plastic.
- Costs incurred for calls to put right appliances improperly installed or calls to appliances outside the United Kingdom.
- Normal wear and tear.
- Products deemed to be in use within a commercial environment.
- Grease filter mesh.
- Bulbs and LEDs.
- Consumables.
- Damage caused to the body by usage of detergent sprayer or other contaminants.
- Damage or corrosion of the LED parts, glass parts and stainless-steel parts.
- Damage caused by foreign objects or accident.
- Any products taken apart or serviced by unauthorised individuals or service engineers or replaced with other manufacturer's components.
- Product not installed with the correct size ducting as stated in the manual.

This Guarantee is in addition to your statutory and legal rights.

Please see our website [www.westin.co.uk](http://www.westin.co.uk) for details of our Conditions of Sale and to register your guarantee.