

Plan View showing fixing centres

Motor: 1 x SEM Remote Motor - Separate Item

Lighting: 4 x Tunable LED Spot Lights

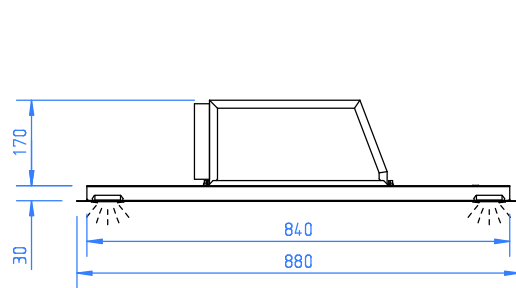
Motor & Light Control: Radio Remote Control

Duct: 1 x  $\phi$  150mm Left Outlet - This can be changed to Top, Back, Front or Right on Site - See Installation Manual

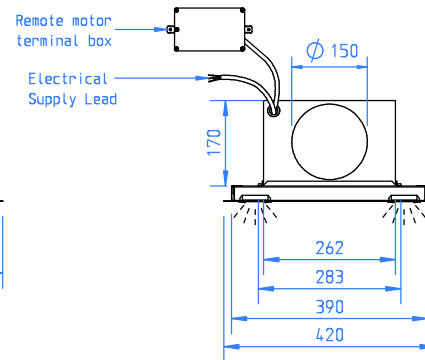
Ceiling Cutout: 860mm x 400mm

Lights are Removed to Gain Access to Fixing Holes - See Installation Manual

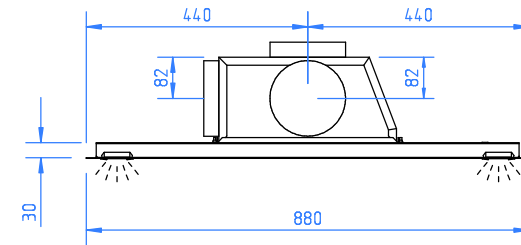
Product Weight: 11Kg



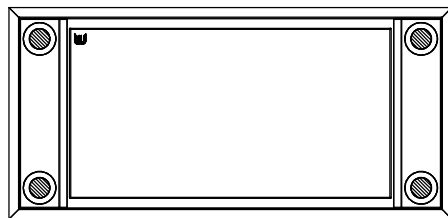
Front View



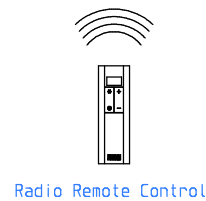
Side View



Front View - Showing Possible Outlet Positions



View from Underneath



Radio Remote Control

