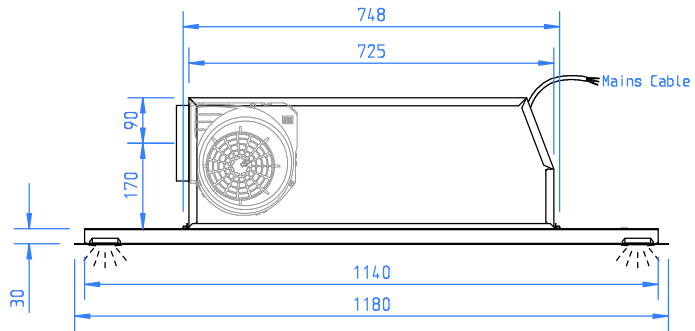
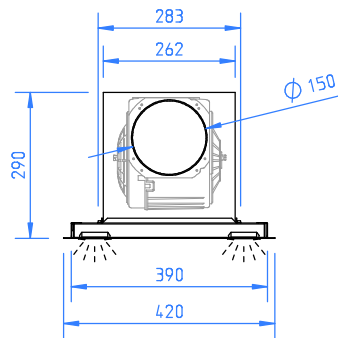


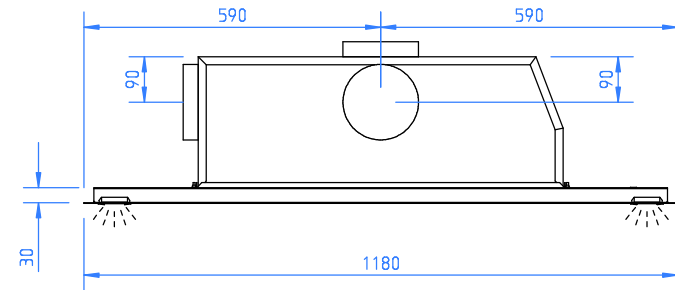
Plan View showing fixing centres



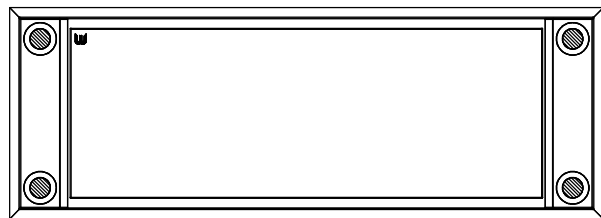
Front View



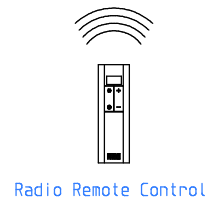
Side View



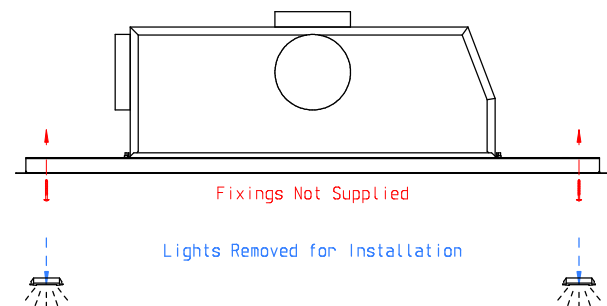
Front View - Showing Possible Outlet Positions



View from Underneath



Radio Remote Control



Lights Removed for Installation

Motor: 1 x Internal Motor

Lighting: 4 x Tunable LED Spot Lights

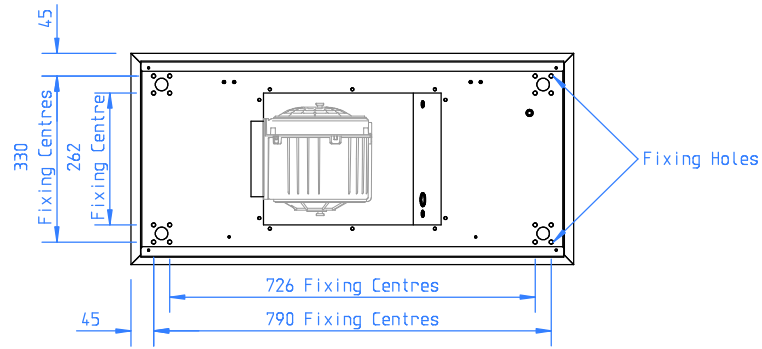
Motor & Light Control: Radio Remote Control

Duct: 1 x ϕ 150mm Left Outlet - This can be changed to Top, Back, Front or Right on Site - See Installation Manual

Ceiling Cutout: 1160mm x 400mm

Lights are Removed to Gain Access to Fixing Holes - See Installation Manual

Product Weight: 18Kg



Plan View showing fixing centres

Motor: 1 x Internal Motor

Lighting: 4 x Tunable LED Spot Lights

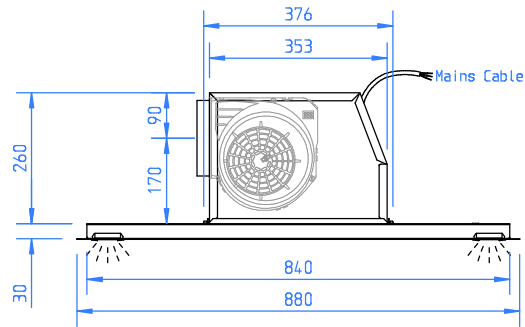
Motor & Light Control: Radio Remote Control

Duct: 1 x \varnothing 150mm Left Outlet - This can be changed to Top, Back, Front or Right on Site - See Installation Manual

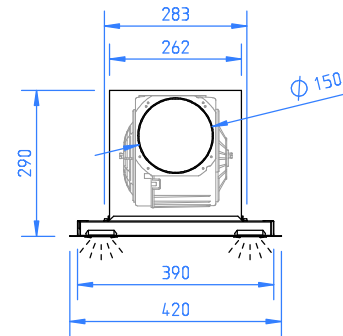
Ceiling Cutout: 860mm x 400mm

Lights are Removed to Gain Access to Fixing Holes - See Installation Manual

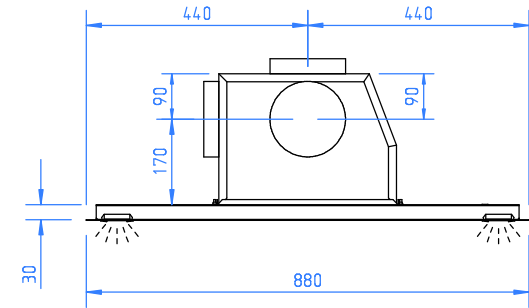
Product Weight: 14Kg



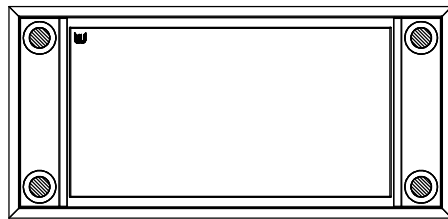
Front View



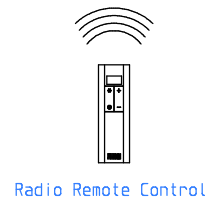
Side View



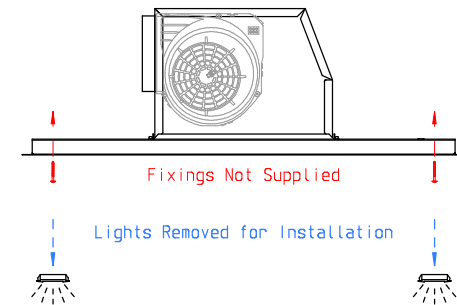
Front View - Showing Possible Outlet Positions

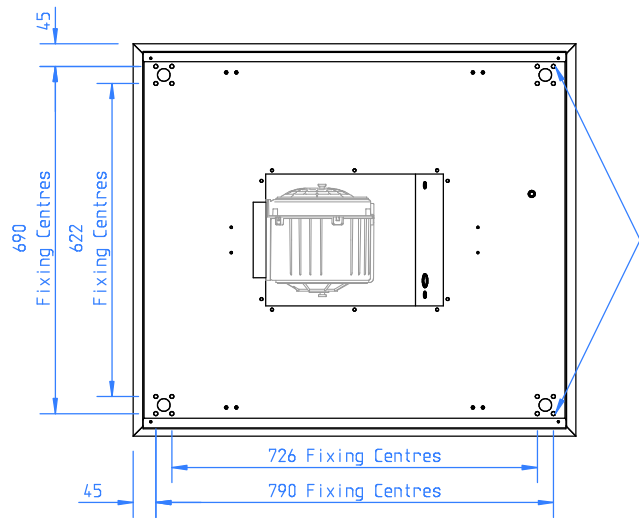


View from Underneath



Radio Remote Control





Plan View showing fixing centres

Fixing Holes

Motor: 1 x Internal Motor

Lighting: 4 x Tunable LED Spot Lights

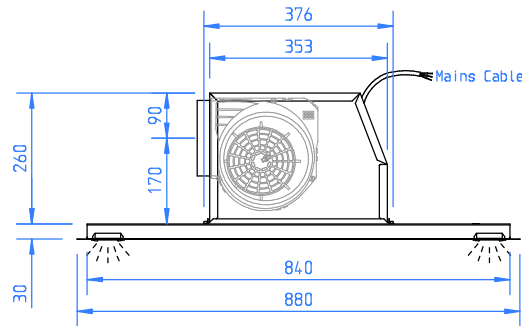
Motor & Light Control: Radio Remote Control

Duct: 1 x \varnothing 150mm Left Outlet - This can be changed to Top, Back, Front or Right on Site - See Installation Manual

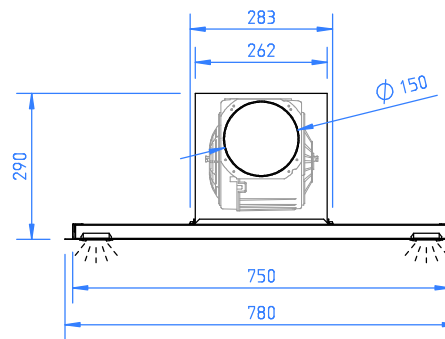
Ceiling Cutout: 860mm x 760mm

Lights are Removed to Gain Access to Fixing Holes - See Installation Manual

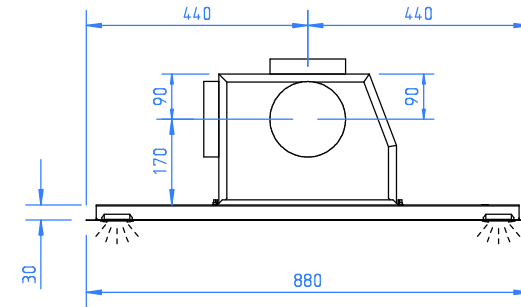
Product Weight: 21Kg



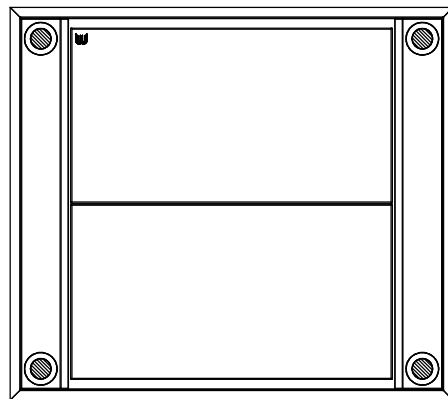
Front View



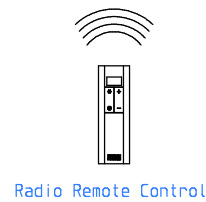
Side View



Front View - Showing Possible Outlet Positions



View from Underneath



Radio Remote Control

