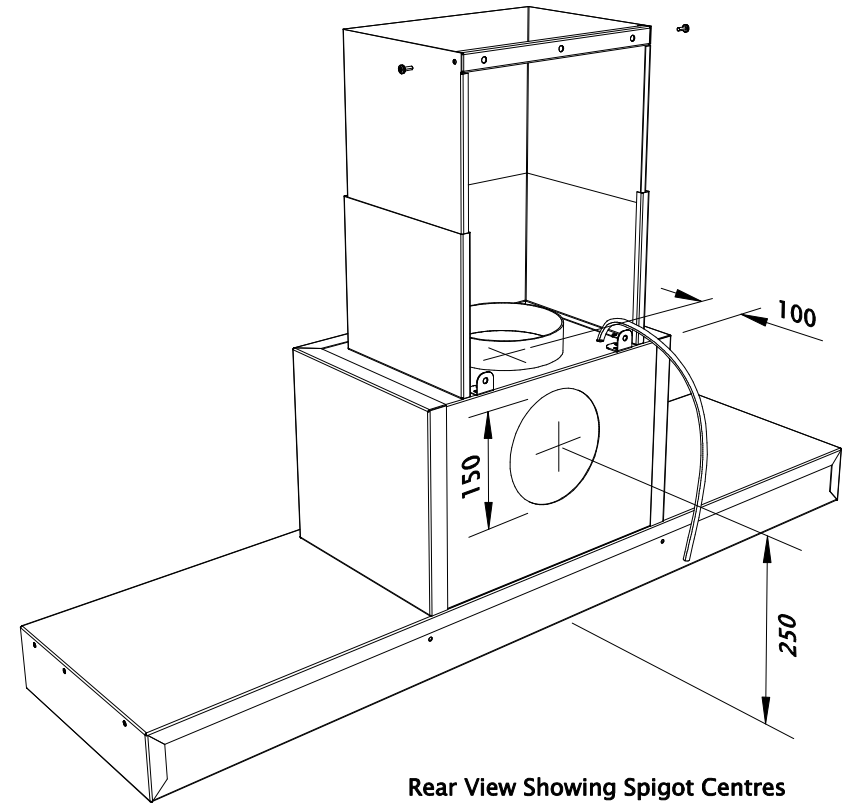
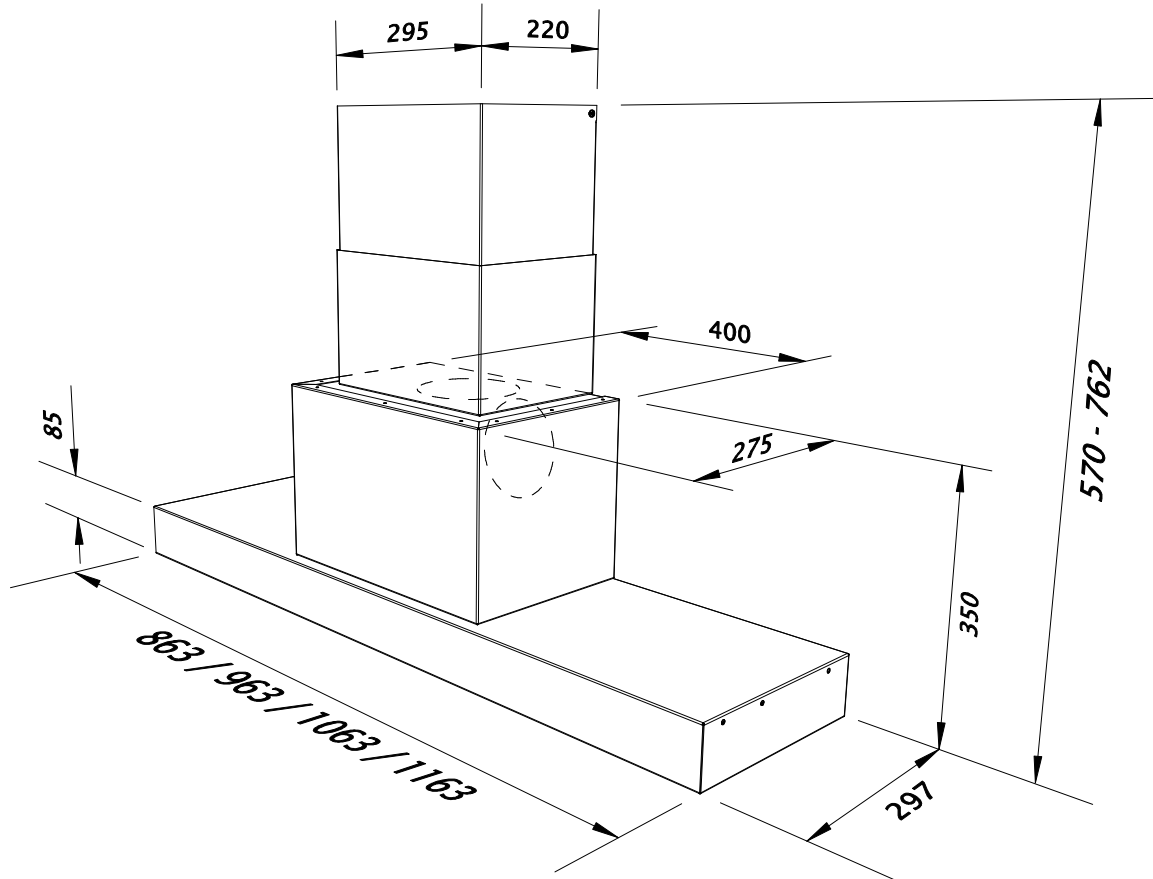
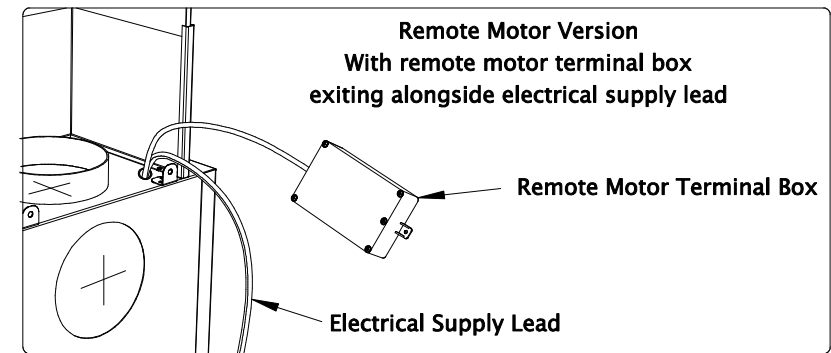


Kari 900 / 1000 / 1100 / 1200 3D General Arrangement Drawing

Product Widths: 863 / 963 / 1063 / 1163 x 297



Rear View Showing Spigot Centres



Remote Motor Version
With remote motor terminal box
exiting alongside electrical supply lead

Remote Motor Terminal Box

Electrical Supply Lead