

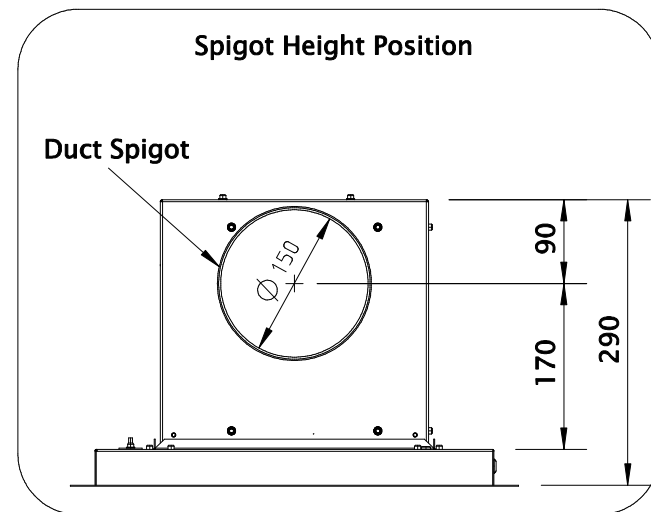
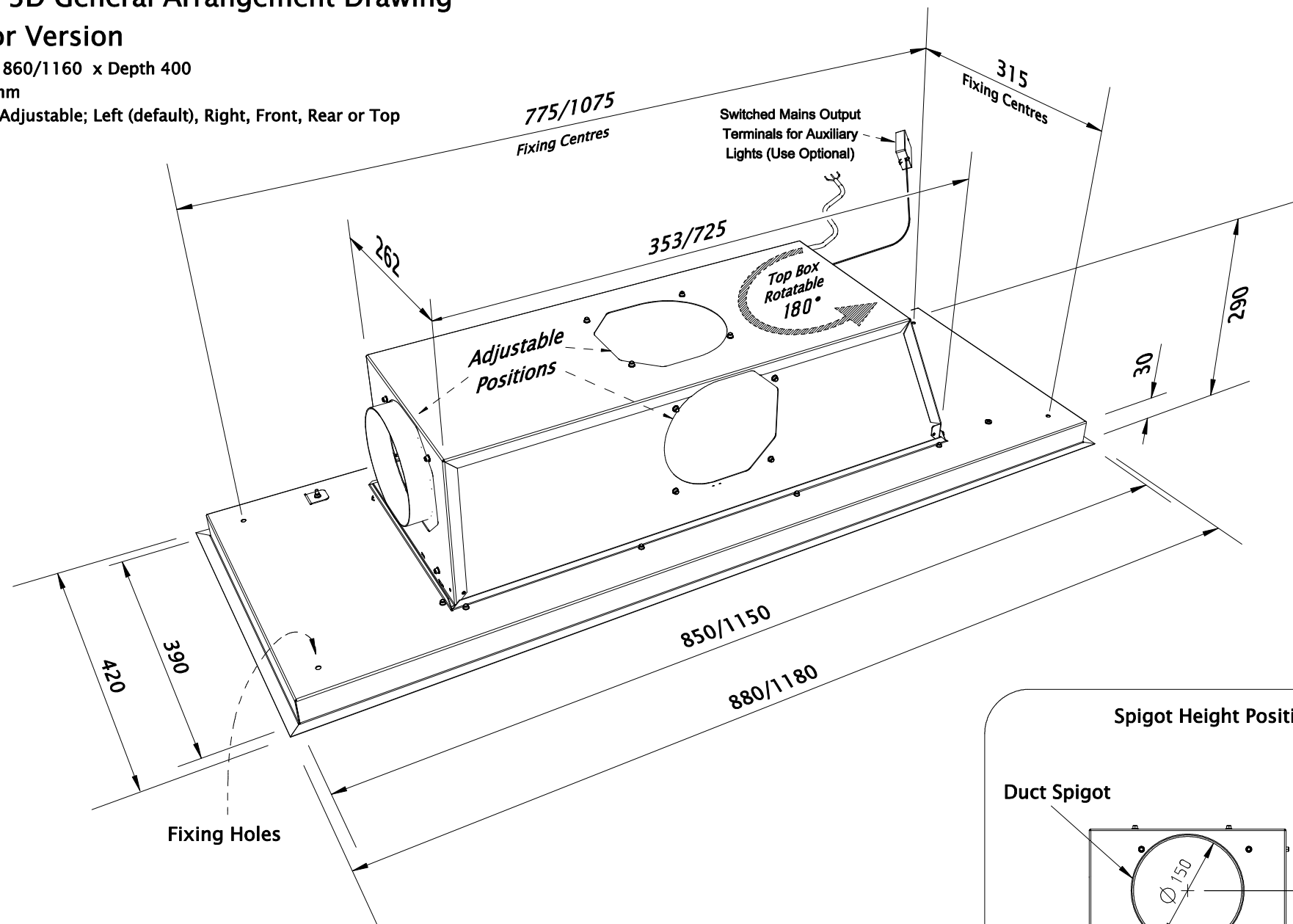
STRATUS AIR 3D General Arrangement Drawing

Internal Motor Version

Cutout Details: Width 860/1160 x Depth 400

Duct Spigot: \varnothing 150mm

Duct Spigot Position: Adjustable; Left (default), Right, Front, Rear or Top



Note:
This extractor has no lights, however, there is a light control button on the remote control console.
We therefore provide a switched 230Vac electrical output (switched on/off when the light button is pressed) and a terminal box (containing Live, Neutral & Earth wires) that can be used to power your own auxiliary lights (up to 100W) or ignored according to preference.



Client: Westin
Drawn by: Mike Sharpe
Title: WSW - STRATUS AIR- 3D GA (Internal Motor) V1 20161004

Approved by: _____
Date: _____

Scale: 1:20 A3
Units: mm
Date: 04-10-16