

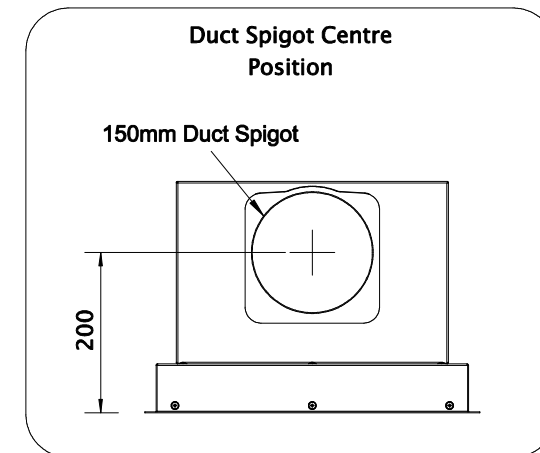
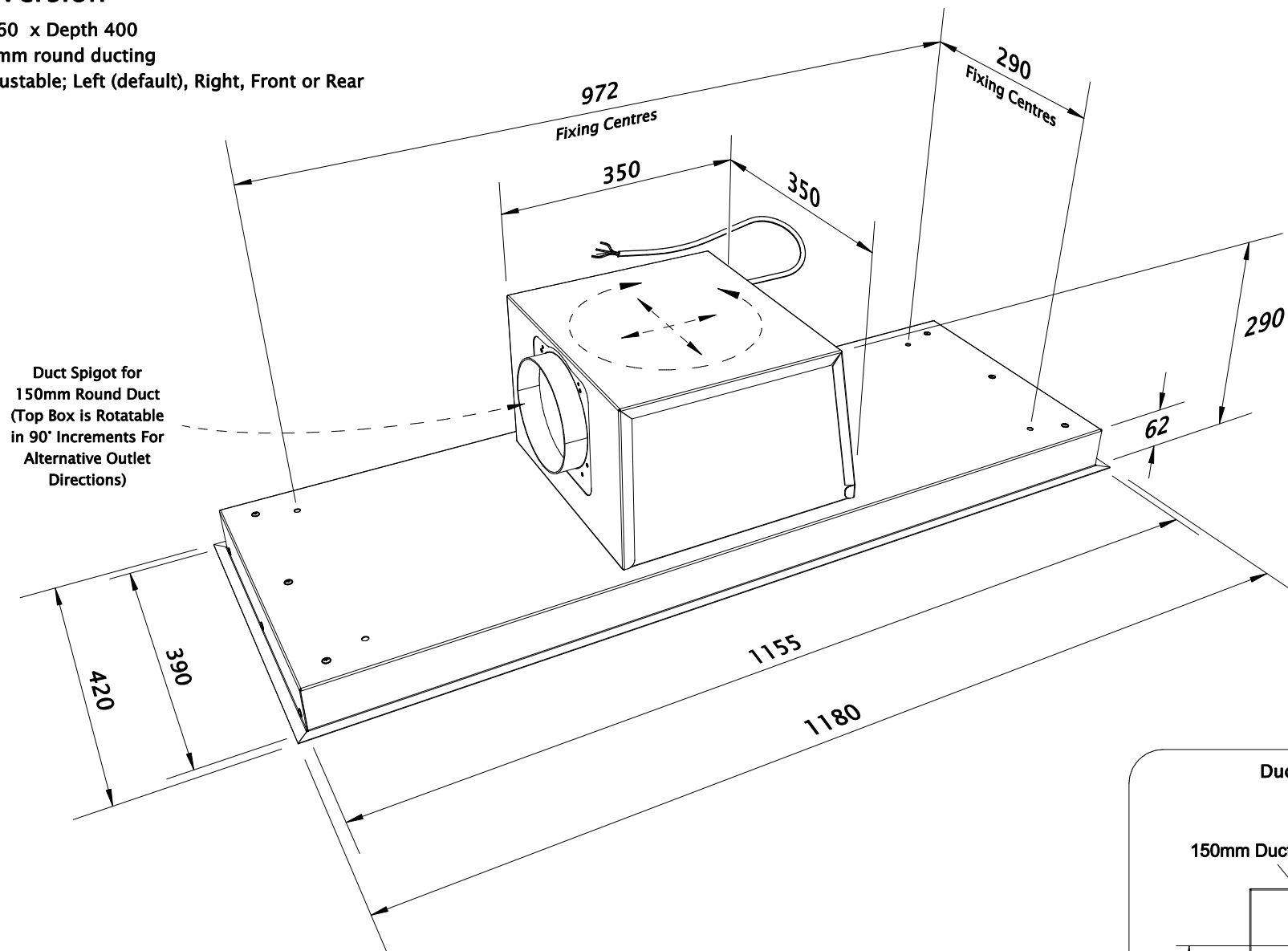
STRATUS BLADE 3D General Arrangement Drawing

Internal Motor Version

Cutout Details: Width 1160 x Depth 400

Duct Spigot: To suit 150mm round ducting

Duct Spigot Position: Adjustable; Left (default), Right, Front or Rear



Client: Westin
Drawn by: Mike Sharpe
Title: WSW - STRATUS BLADE - INTERNAL 3D GA 1180 x 420 V1 20170309

Approved by:
Date:

Scale: 1:20 A3
Units: mm
Date: 09-03-17