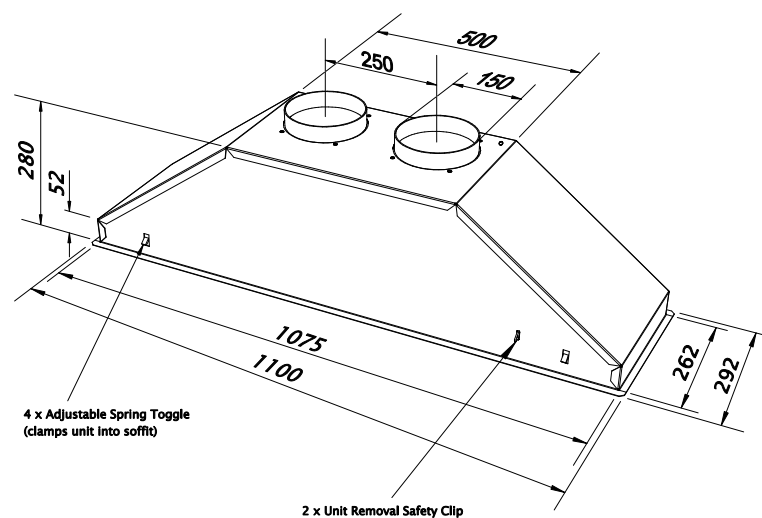


**Westin**  
cache twin

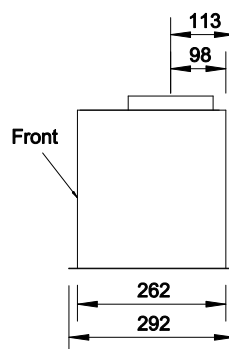
The Cache Twin is a twin motor hood  
which combines discretion and power.

image courtesy of Moneyhill Interiors

# Westin Cache Twin



Top Outlet Side View  
Showing Duct Spigot Centre



**The Cache Twin is a discreet hood with hidden power, designed to be built-in to chimneys or kitchen furniture.**

From the base, the appearance is the same as a conventional Cache 1100 hood but inside are two internal motors in a unit just 280mm high.

This A energy rated hood provides an impressive airflow of 1362m<sup>3</sup>/hr on the intensive setting and offers an ideal solution for creative cooks.

Extractor type:	Built-in over hob
Model refs:	Cache Twin
Dimensions:	1100 x 292 x 280mm
Finish:	Stainless steel
Controls:	4-speed remote control, 4-speed push button control
Lighting:	3 x 2.6W natural white (4000K) LED
Filters:	Aluminium mesh, suitable for dishwashers
Duct position:	Top (Rear as a Westin <i>Plus</i> option)
Motor options:	2x internal
Energy rating (internal motor)	<b>A</b>
Energy rating (remote motor)	n/a

